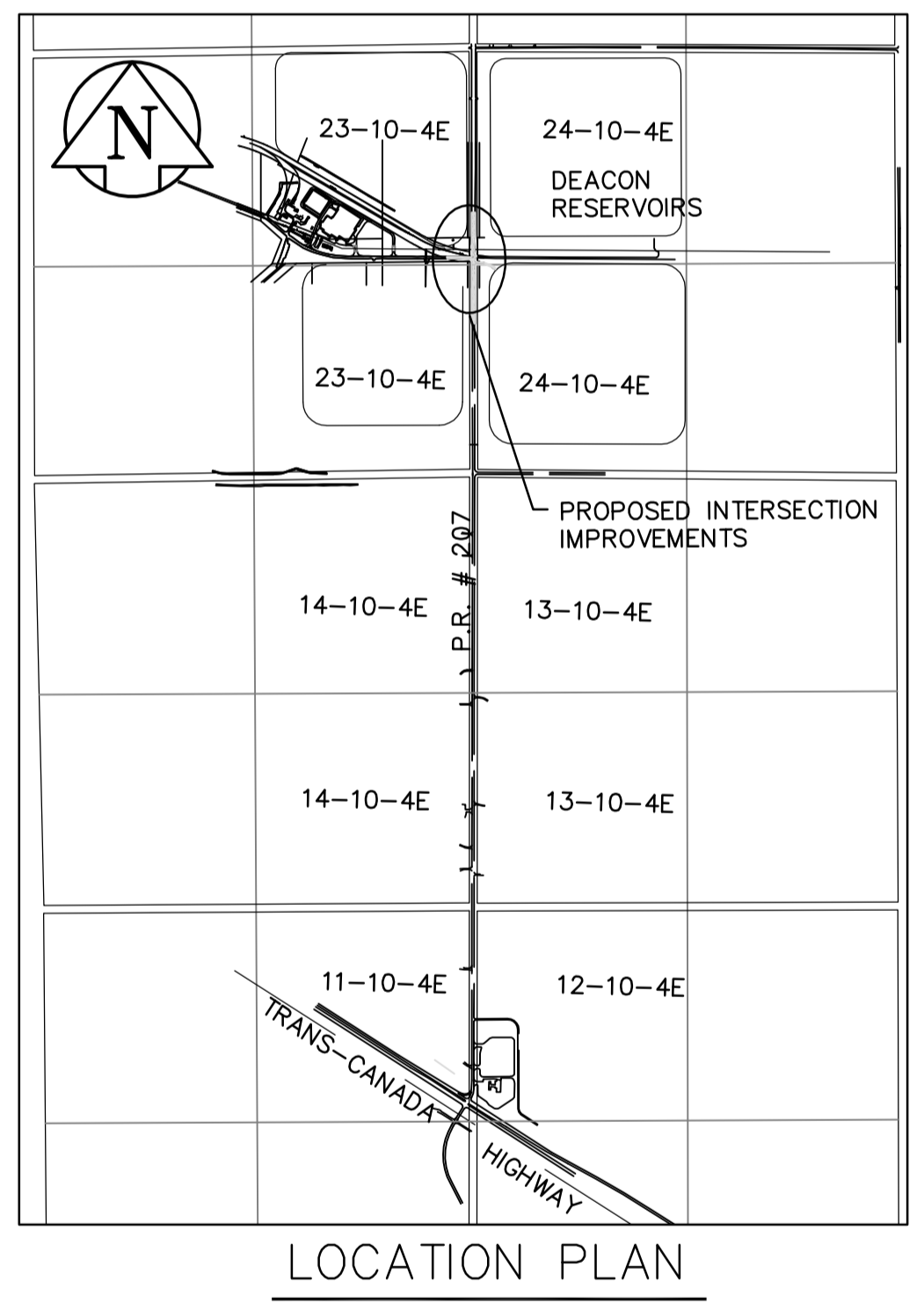
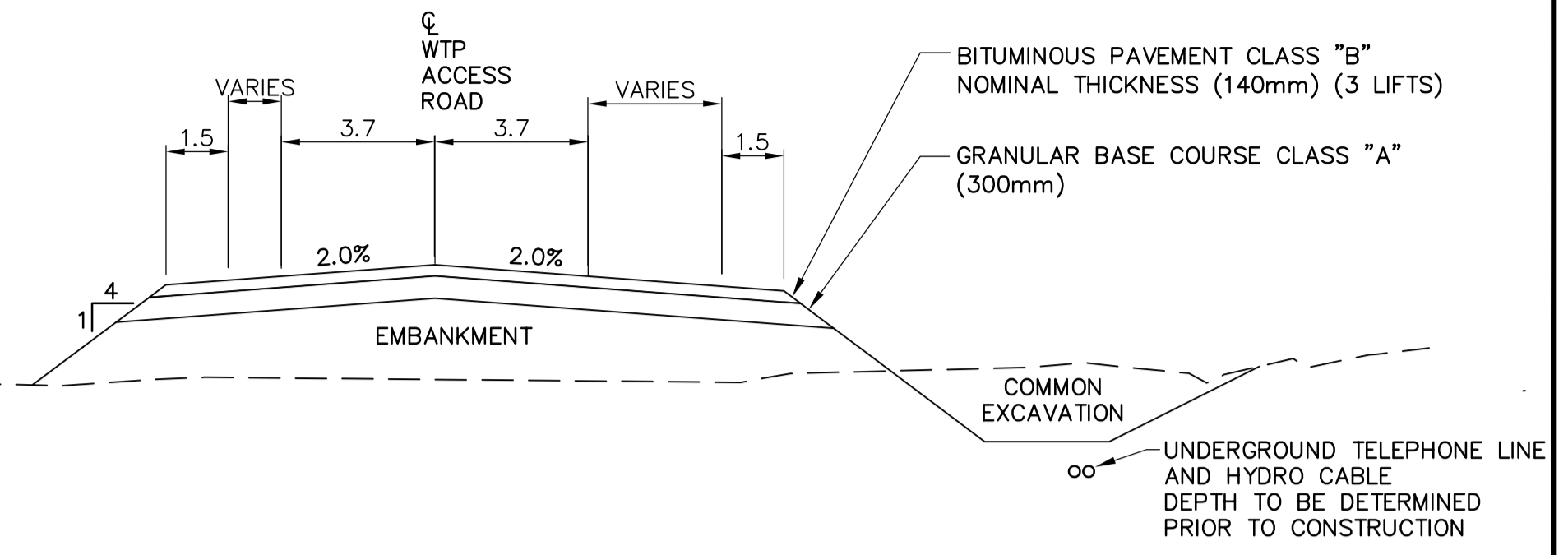
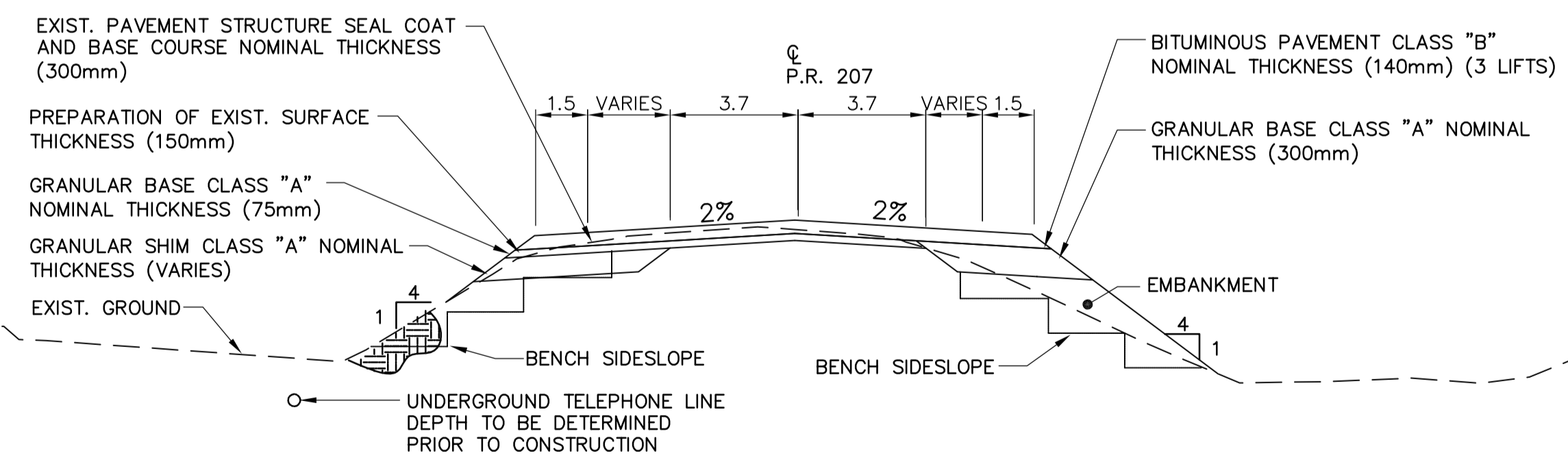


SECTION AT STA. 1+025
SCALE: HOR. 1:150 VER. 1:50



Released to the City of Winnipeg for Tendering Purposes
 ORIGINAL SIGNED
 Eric Christiansen P.Eng.
 Director of Highway Planning & Design
 Manitoba Transportation & Government Services
 Date: MAY 16, 2006
 MTGS Plan No. 7161

SECTION AT STA. 3+350
SCALE: HOR. 1:150 VER. 1:50



150 mm W.M.	WATERMAIN	150 mm W.M.	HYDRO M.T.S.	Light Standard Anchor
Hydrant	Valve	300mm L.D.S.	CONCRETE ASPHALT	HYDRO POLE CONTOURS
Land Drainage Sewer	WASTEWATER SEWER	250mm W.W.S.	PROPERTY LINE	RAIL X-ING SIGNAL
Manhole	CATCH BASIN	ANODE	SURVEY BAR	RAILWAY TRACK
Culvert	CULVERT	GAS	ELEVATION	DITCH
			TREE	FENCE
			GRANULAR SLOPE	ROAD CLOSED
EXISTING	LEGEND - PLAN	PROPOSED	EXISTING	LEGEND - PLAN
			PROPOSED	

APEGM
 Certificate of Authorization
 Earth Tech Canada Inc.
 No. 730 Expiry: April 30, 2007

B.M. ELEV.	00	ISSUED FOR TENDER	06/05/16	PAP
	NO.	REVISIONS	DATE	BY
			2006/03/28	

CH2MHILL
 Frederickson Cooper ARCHITECTS

EarthTech
 A Tyco International Ltd. Company

DESIGNED BY	JC	CHECKED BY	JC
DRAWN BY	MW	APPROVED BY	AHL
SCALE:	1:500	RELEASED FOR CONSTRUCTION BY:	R. SOROKOWSKI
		DATE	May 16, 2006

ENGINEER'S SEAL
 ORIGINAL SIGNED BY
 JEFF CRANG
 May 16, 2006

THE CITY OF WINNIPEG
 WATER AND WASTE DEPARTMENT
 ENGINEERING DIVISION

WINNIPEG WATER TREATMENT
 PROGRAM - PROVINCIAL ROAD #207 UPGRADE

CIVIL
 INTERSECTION UTILITY PLAN

CITY FILE NUMBER
 SHEET OF
 CITY DRAWING NUMBER
1-060N-A-C071-001-00D