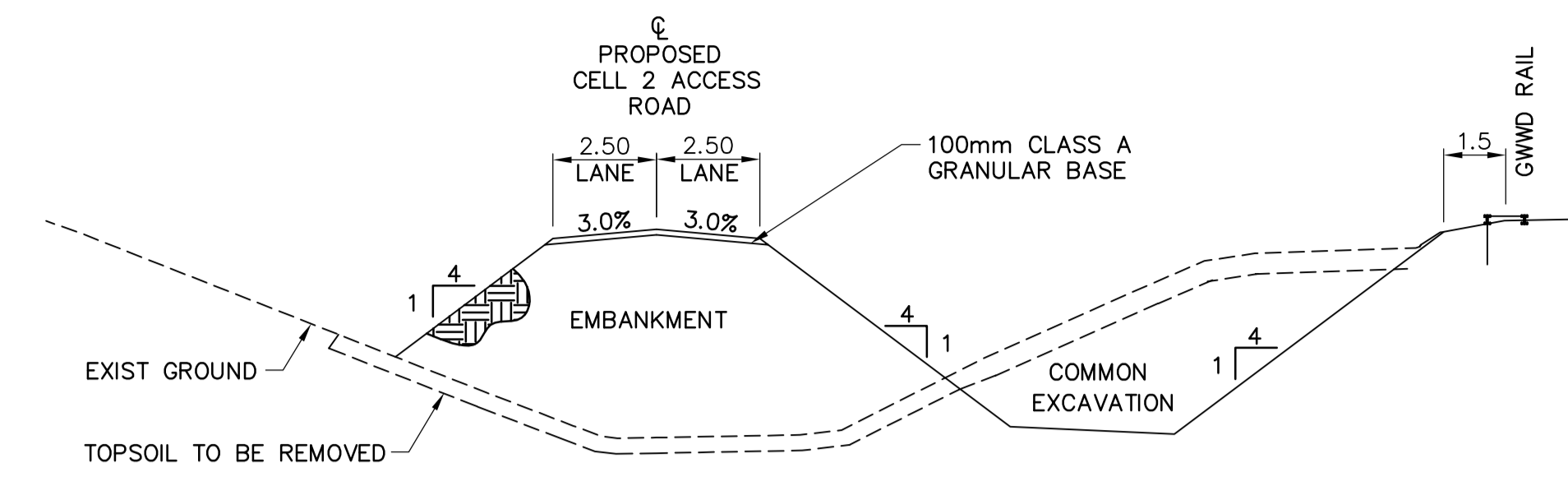
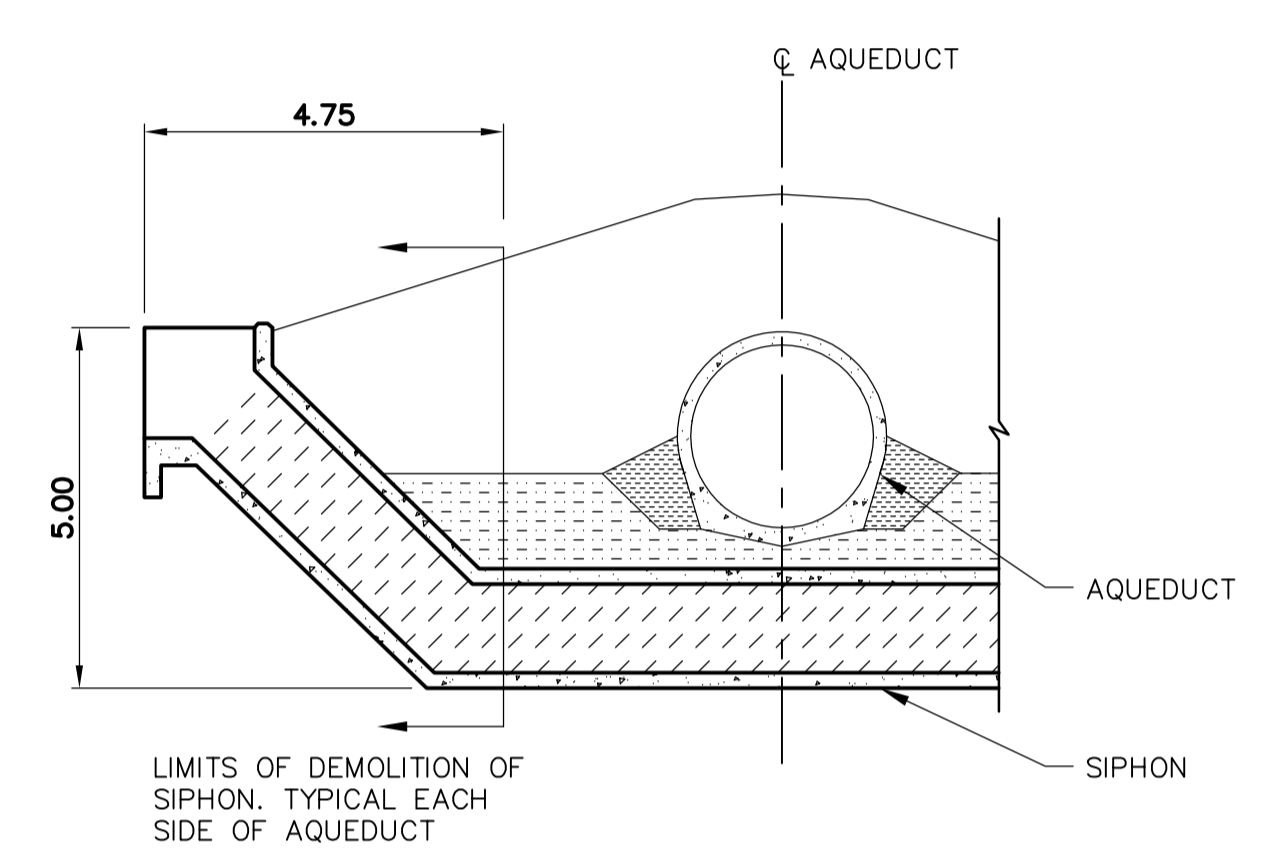


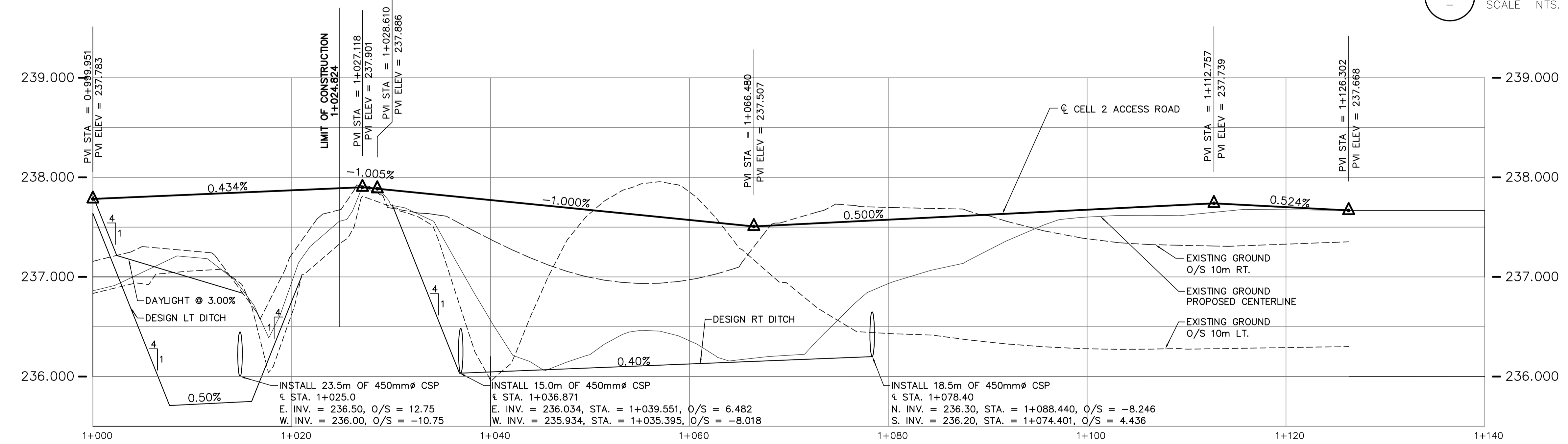
PLAN - CELL 2 ACCESS ROAD
SCALE: 1:250



SECTION AT STA. 1+065
SCALE: HOR. 1:150 VER. 1:50



SECTION OF SIPHON
SCALE: NTS.



PROFILE - CELL 2 ACCESS ROAD
SCALE: HOR. 1:250 VER. 1:25

Released to the City of Winnipeg for Tendering Purposes
ORIGINAL SIGNED _____
Eric Christiansen P.Eng.
Director of Highway Planning & Design
Manitoba Transportation & Government Services
Date: MAY 16, 2006
MTGS Plan No. 7161

150 mm W.M.	WATERMAIN	150 mm W.M.	HYDRO	HYDRO	LIGHT STANDARD
HYDRANT	VALVE	CONCRETE	M.T.S.	ANCHOR	
300mm L.D.S.	LAND DRAINAGE SEWER	ASPHALT	CONCRETE	HYDRO POLE	
250mm W.W.S.	WASTEWATER SEWER	PROPERTY LINE	SURVEY BAR	CONTOURS	
MANHOLE	CATCH BASIN	ELEVATION	391.0	RAIL X-ING SIGNAL	
CURB INLET	ANODE	GRANULAR	SLOPE	DITCH	
CULVERT	GAS			FENCE	
EXISTING	LEGEND - PLAN	PROPOSED	EXISTING	LEGEND - PLAN	PROPOSED

APEGM
Certificate of Authorization
Earth Tech Canada Inc.
No. 730 Expiry: April 30, 2007

B.M. ELEV.	
00	ISSUED FOR TENDER
NO.	REVISIONS
06/05/16	PAP
DATE	BY
2006/03/28	

CH2M HILL Frederickson Cooper ARCHITECTS	EarthTech A Tyco International Ltd. Company
DESIGNED BY: JC	CHECKED BY: JC
DRAWN BY: MW	APPROVED BY: AHL
SCALE: AS NOTED	RELEASED FOR CONSTRUCTION BY: R. SOROKOWSKI
DATE: 2006/03/28	DATE: May 16, 2006

ENGINEER'S SEAL
ORIGINAL SIGNED BY
JEFF CRANG
May 16, 2006
CONSULTANT DRAWING NO.
WN-C0167

THE CITY OF WINNIPEG
WATER AND WASTE DEPARTMENT
ENGINEERING DIVISION

WINNIPEG WATER TREATMENT
PROGRAM - PROVINCIAL ROAD #207 UPGRADE

CIVIL
PLAN - PROFILE
CELL 2 ACCESS ROAD

CITY FILE NUMBER
SHEET OF
CITY DRAWING NUMBER
1-060N-A-C0167-001-00D