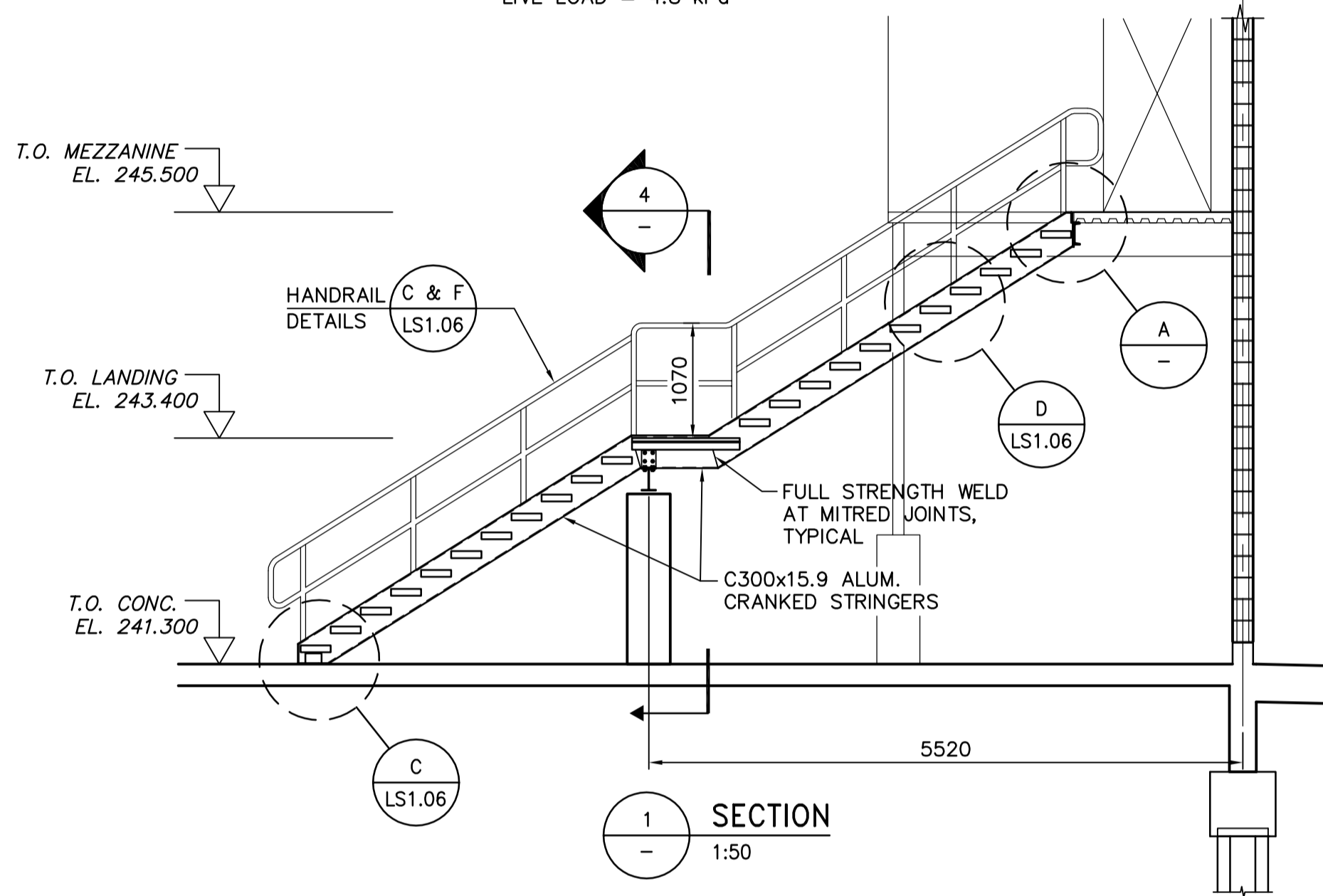
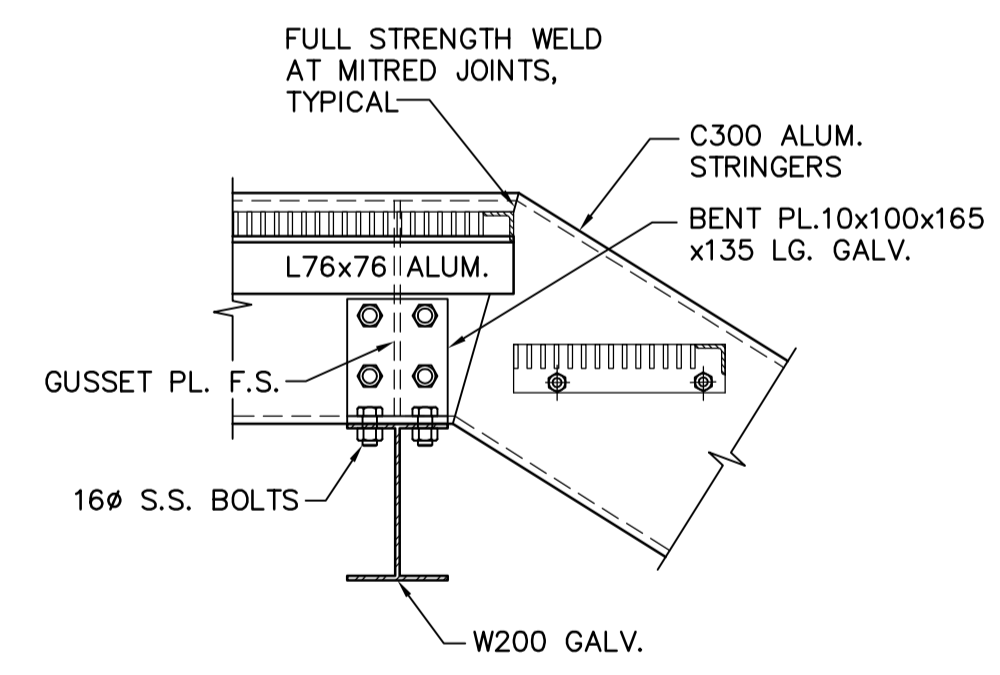


PLAN - STAIR No. 1
1:50

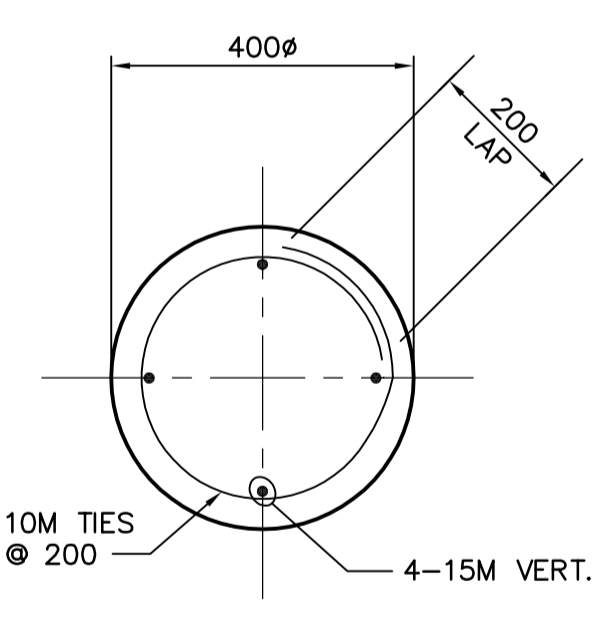
DESIGN LOADS:
DEAD LOAD = 0.5 kPa
LIVE LOAD = 4.8 kPa



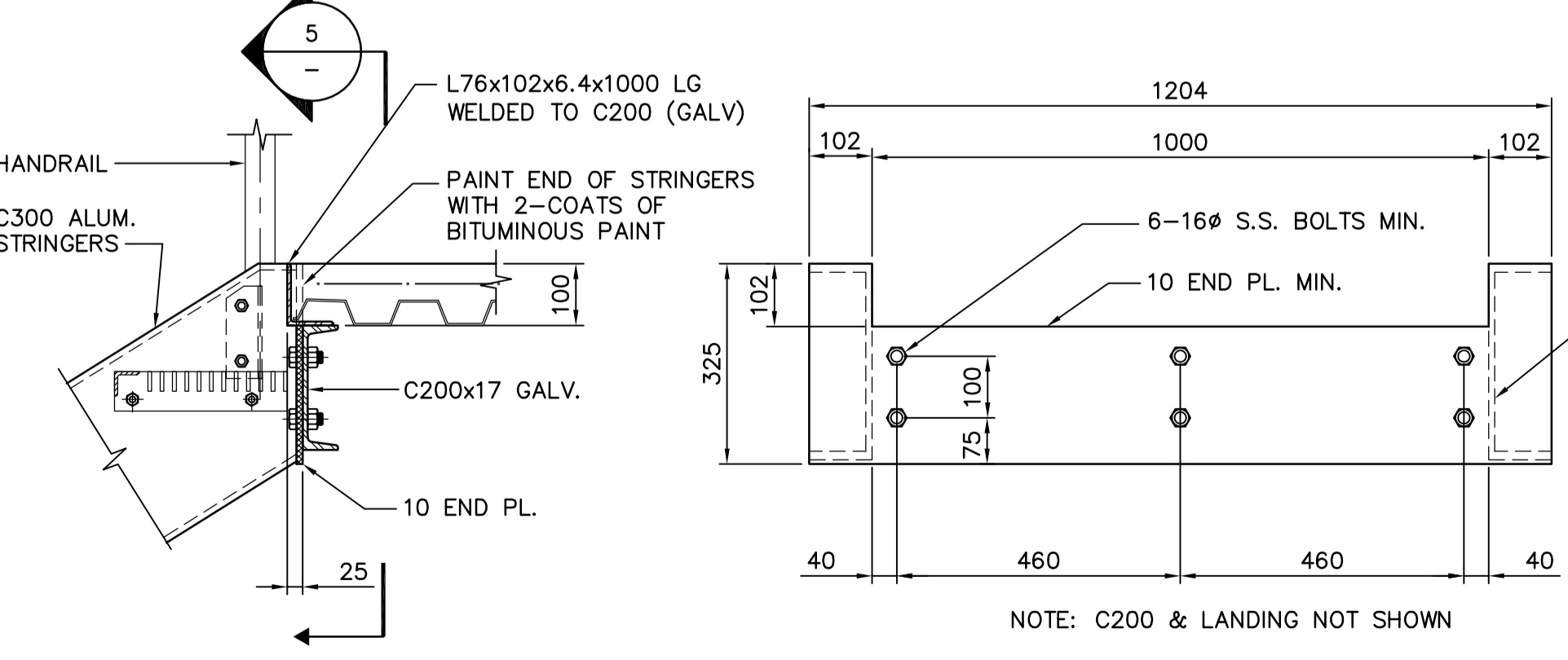
SECTION 1
1:50



SECTION 2
1:10



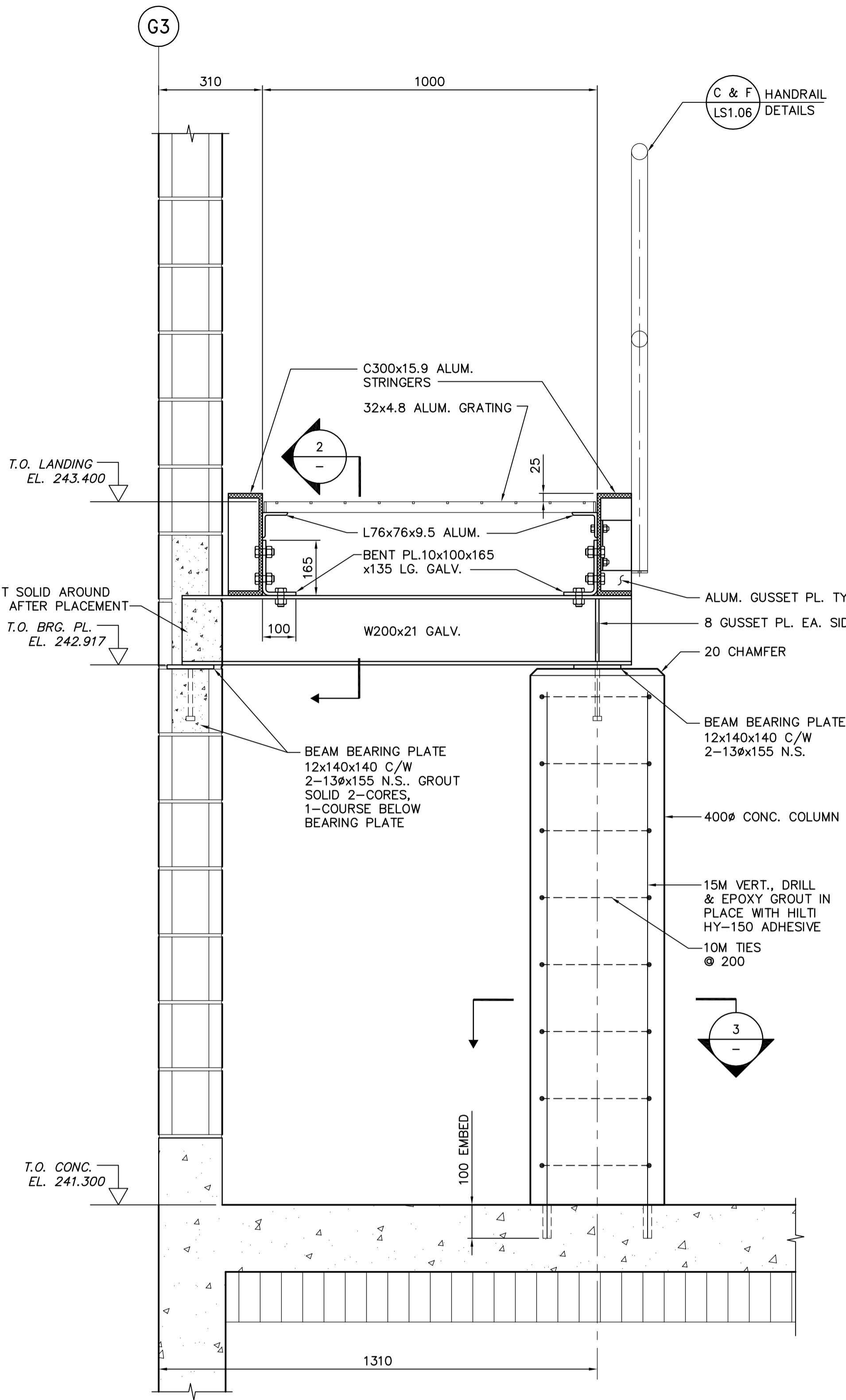
SECTION 3
1:10



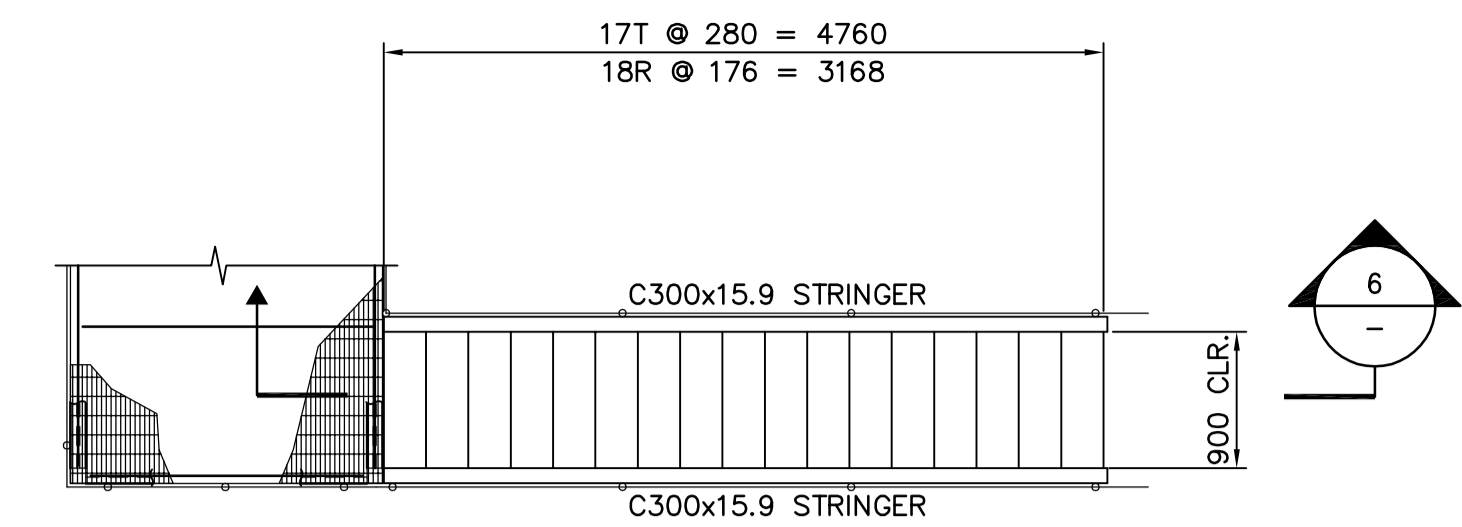
DETAIL A
1:10

SECTION 5
1:10

NOTE: C200 & LANDING NOT SHOWN

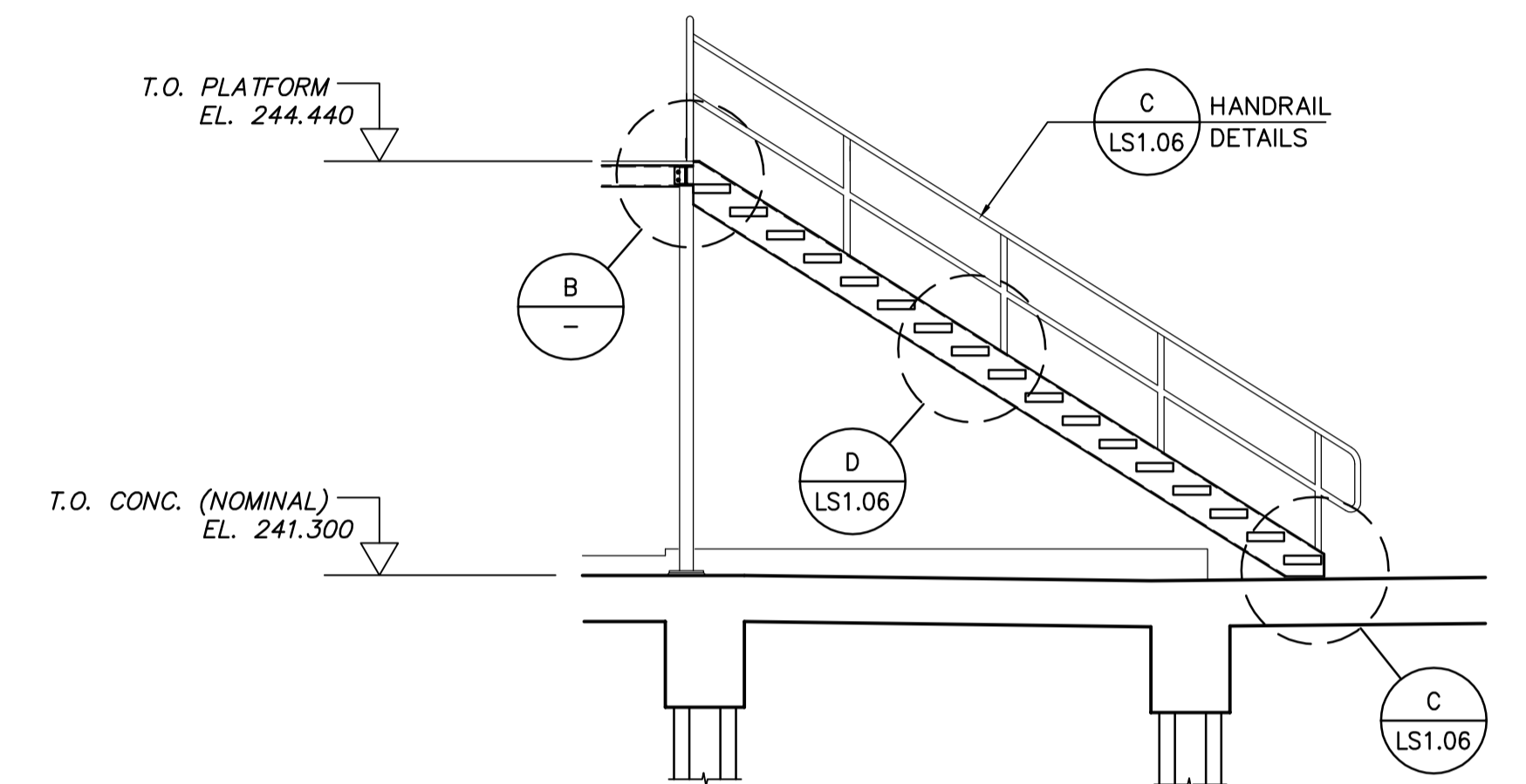


SECTION 4
1:50

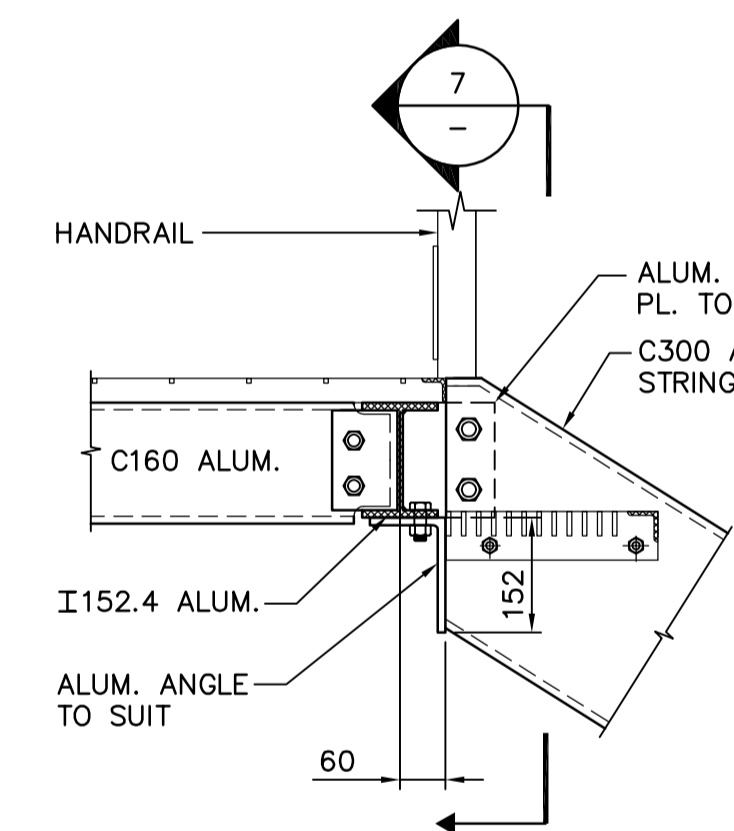


PLAN - STAIR No. 2
1:50

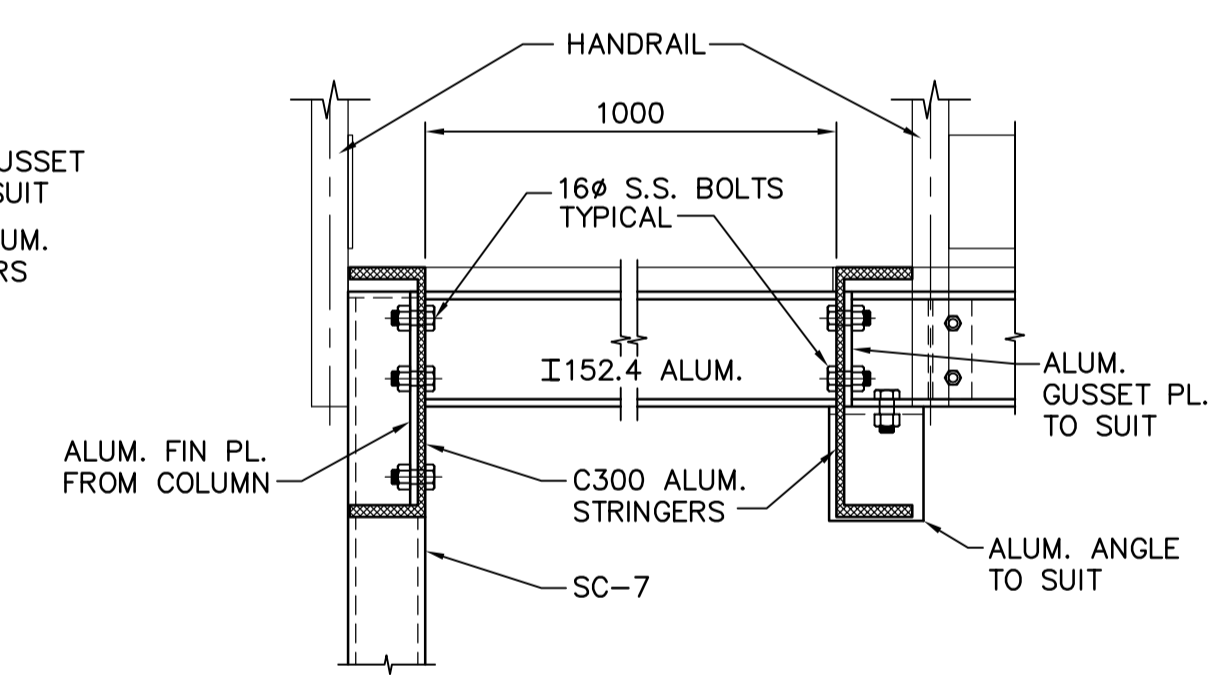
DESIGN LOADS:
DEAD LOAD = 0.75 kPa
LIVE LOAD = 4.8 kPa



SECTION 6
1:50

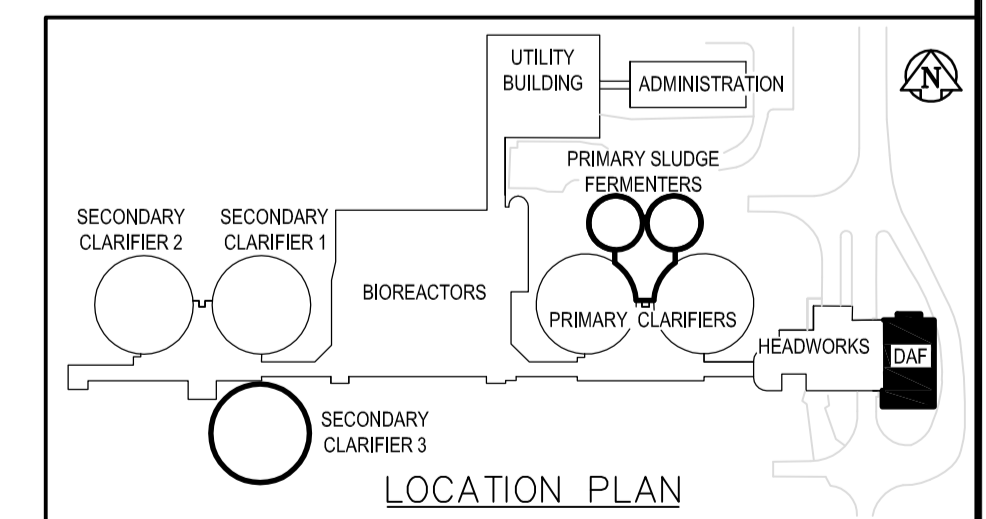


DETAIL B
1:10



SECTION 7
1:50

NOTE: TREAD GRATING NOT SHOWN.



LOCATION PLAN

APEGM
Certificate of Authorization
Earth Tech Canada Inc.
No. 730 Expiry: April 30, 2006

B.M. ELEV.		EarthTech A Tyco International Ltd. Company		ENGINEER'S SEAL	
DESIGNED BY	ARA	CHECKED BY	LR	ORIGINAL SIGNED BY	J. BETKE
DRAWN BY	NDH	APPROVED BY	JEH	DATE	2006/04/26
HOR. SCALE:	AS NOTED	RELEASED FOR CONSTRUCTION BY:	J. VEILLEUX	CONSULTANT DRAWING NO.	TS6.02
VERT. SCALE:		DATE	2006/03/13		
NO. REVISIONS		DATE	2006/03/13	DATE	2006/04/26

THE CITY OF WINNIPEG
WATER AND WASTE DEPARTMENT
ENGINEERING DIVISION

WEWPCC
BIOLOGICAL NUTRIENT REMOVAL UPGRADE
CONTRACT 3

STRUCTURAL
AREA T - DAF THICKENER BUILDING
STAIRS No. 1 AND 2 - PLAN, SECTIONS AND DETAILS

CITY FILE NUMBER
SHEET OF
CITY DRAWING NUMBER