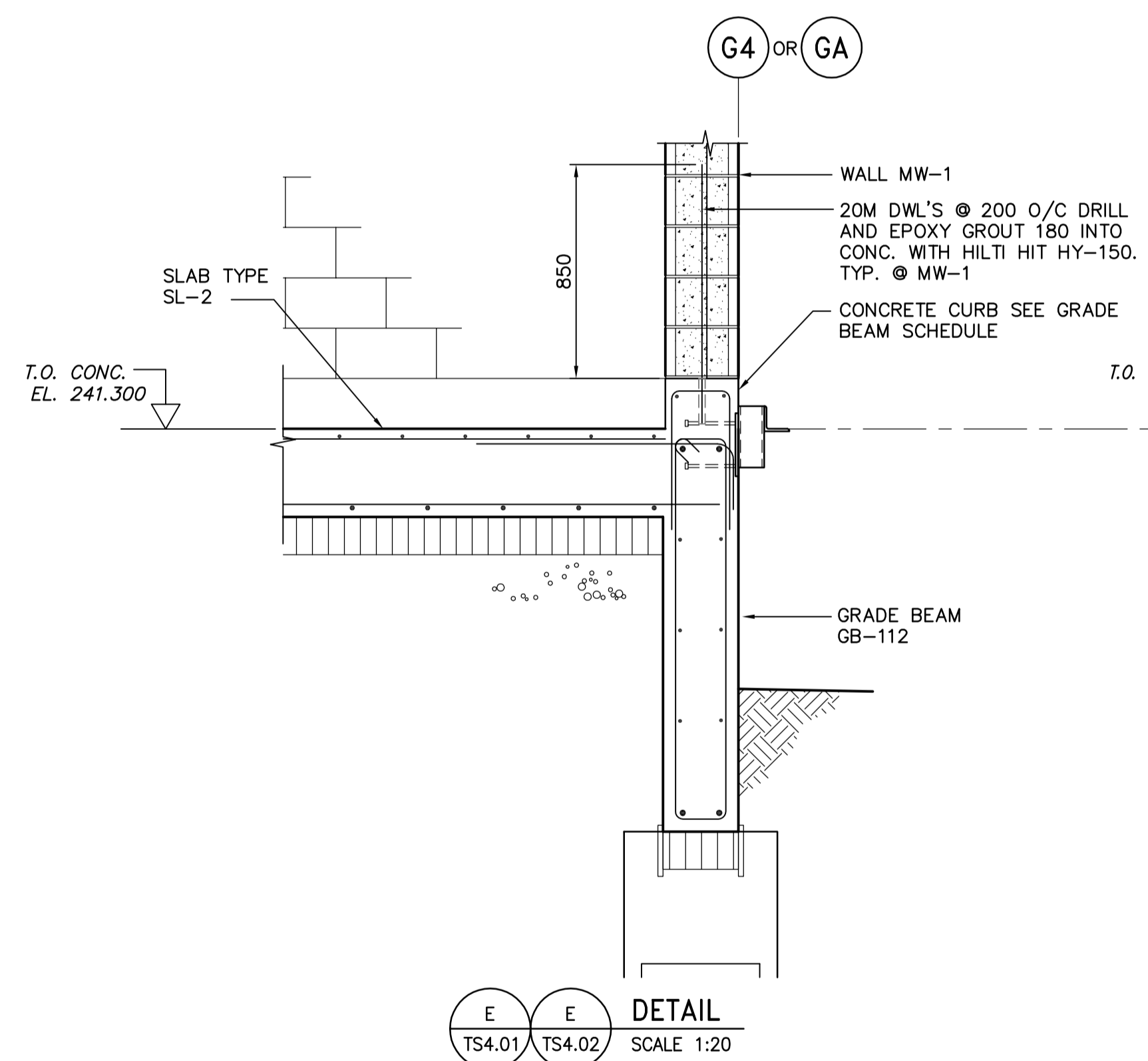


A DETAIL
TS4.02 SCALE 1:20

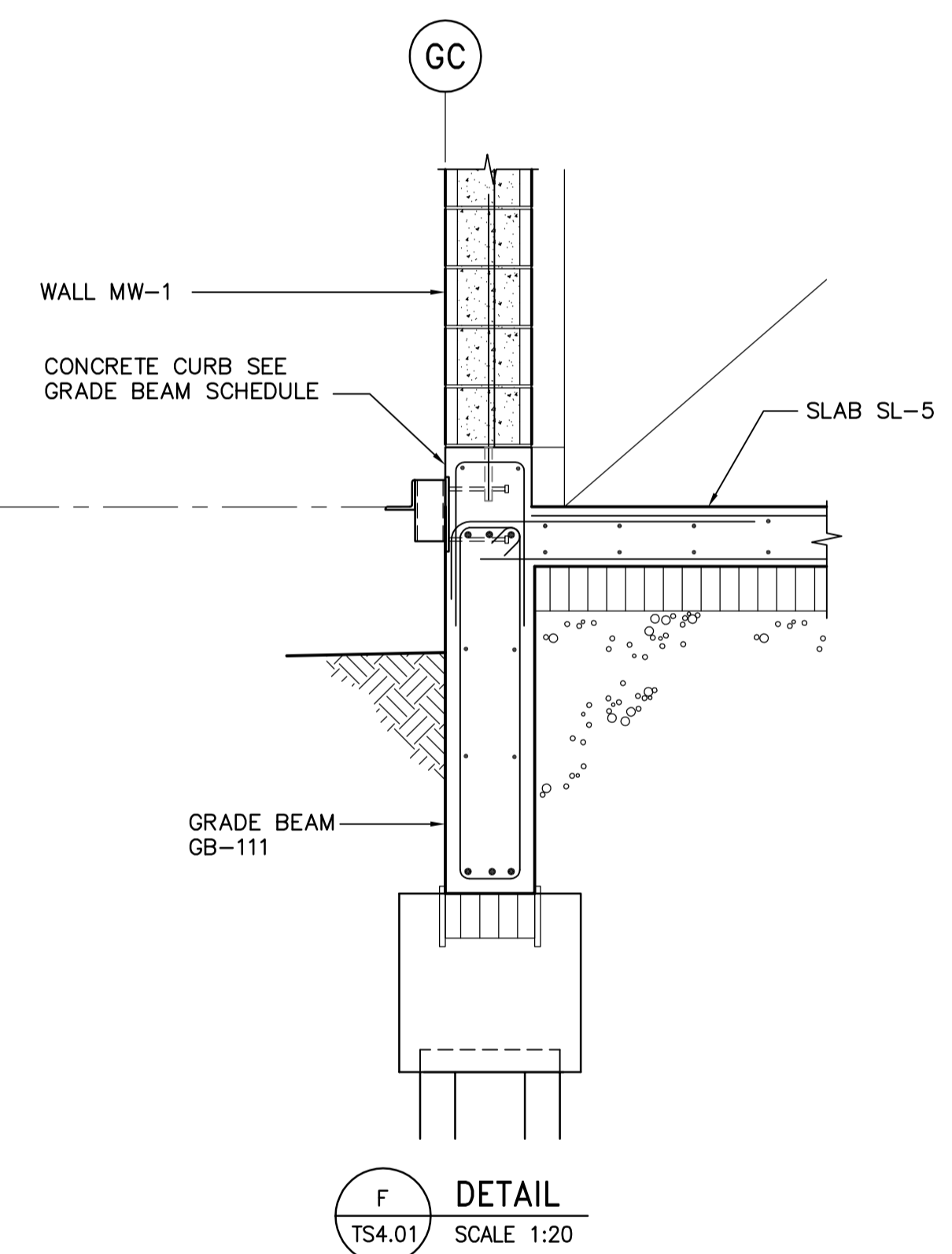
B DETAIL
TS4.02 SCALE 1:20

C DETAIL
TS4.02 SCALE 1:20

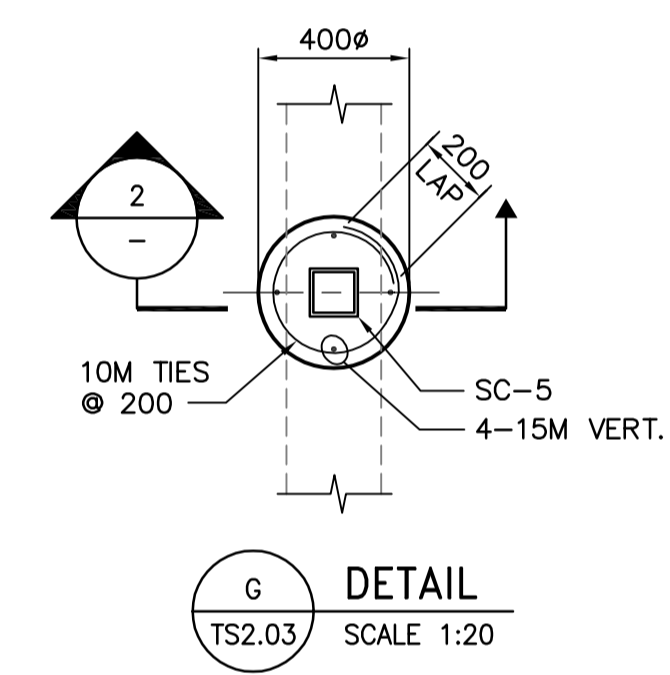
D DETAIL
TS4.02 SCALE 1:20



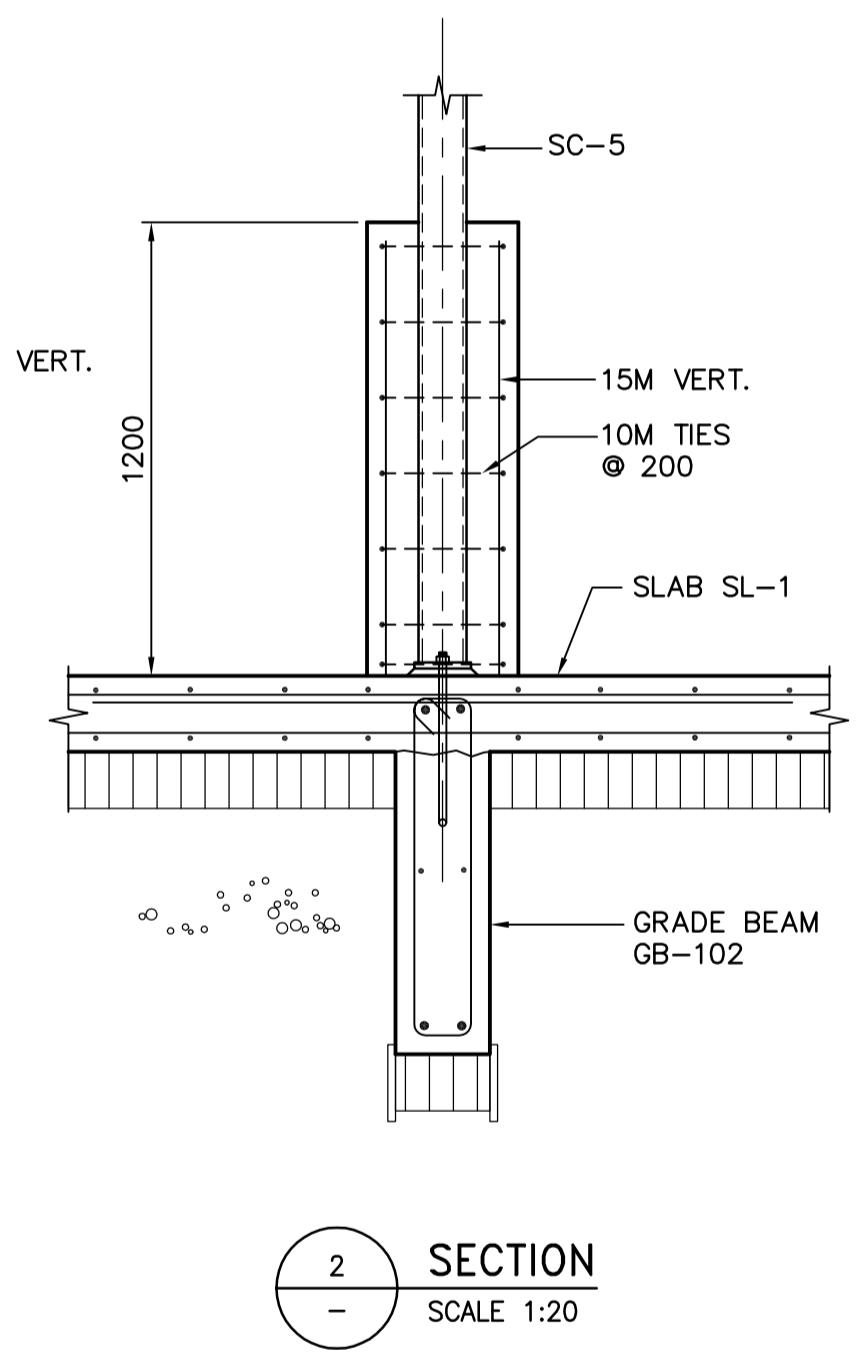
E DETAIL
TS4.01 TS4.02 SCALE 1:20



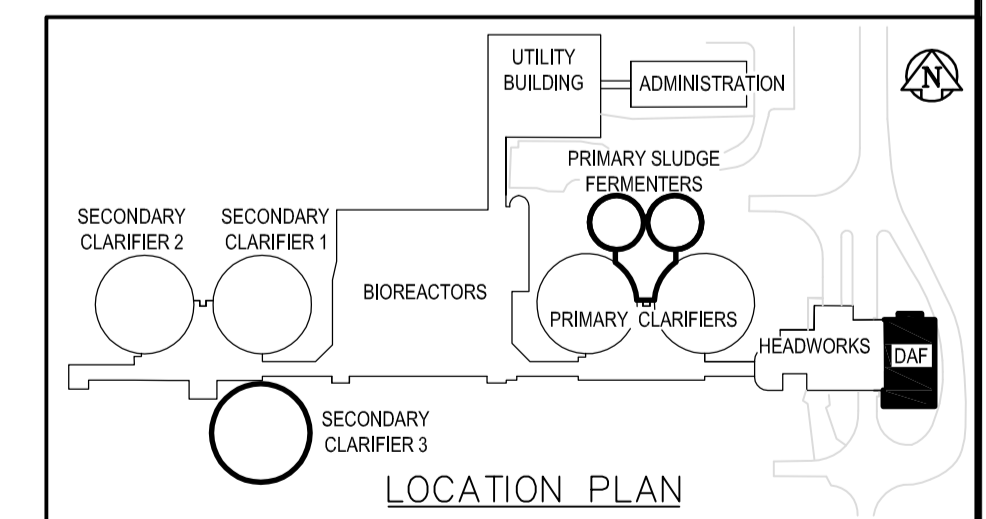
F DETAIL
TS4.01 SCALE 1:20



G DETAIL
TS2.03 SCALE 1:20



2 SECTION
SCALE 1:20



APEGM
Certificate of Authorization
Earth Tech Canada Inc.
No. 730 Expiry: April 30, 2006

B.M. ELEV.					
DESIGNED BY	ARA	CHECKED BY	LR		
DRAWN BY	NDH	APPROVED BY	JEH		
HOR. SCALE:	AS NOTED	RELEASED FOR CONSTRUCTION BY:	J. VEILLEUX		
VERTICAL SCALE:					
NO.	REVISIONS	DATE	BY	DATE	2006/03/13
00	ISSUED FOR TENDER	06/04/26	CMF	DATE	2006/04/26

ENGINEER'S SEAL
ORIGINAL SIGNED BY
J. BETKE
2006/04/26
CONSULTANT DRAWING NO.
TS5.03

THE CITY OF WINNIPEG
WATER AND WASTE DEPARTMENT
ENGINEERING DIVISION

WEWPC
BIOLOGICAL NUTRIENT REMOVAL UPGRADE
CONTRACT 3

STRUCTURAL
SECTIONS AND DETAILS

CITY FILE NUMBER
SHEET OF
CITY DRAWING NUMBER