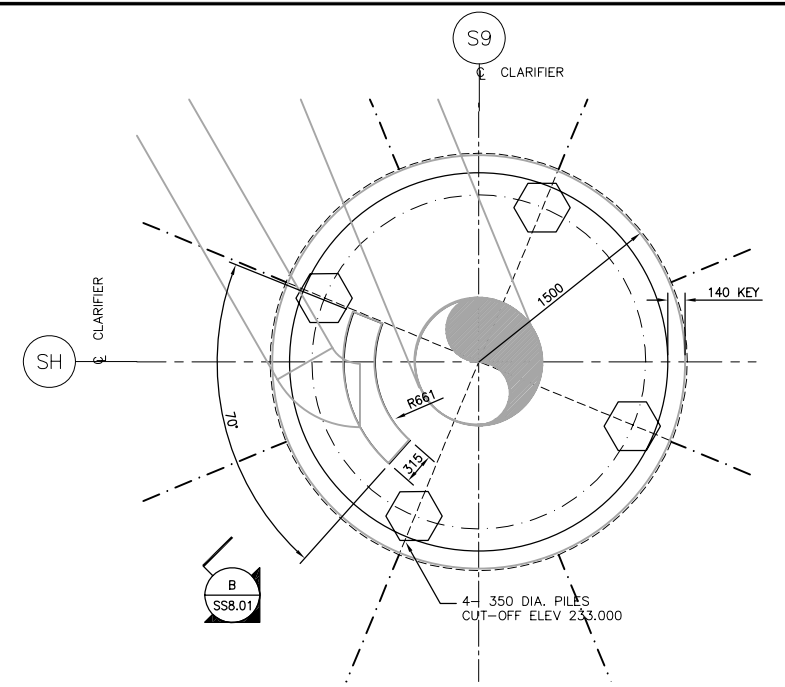


**PILE SCHEDULE
(SECONDARY CLARIFIER 3)**

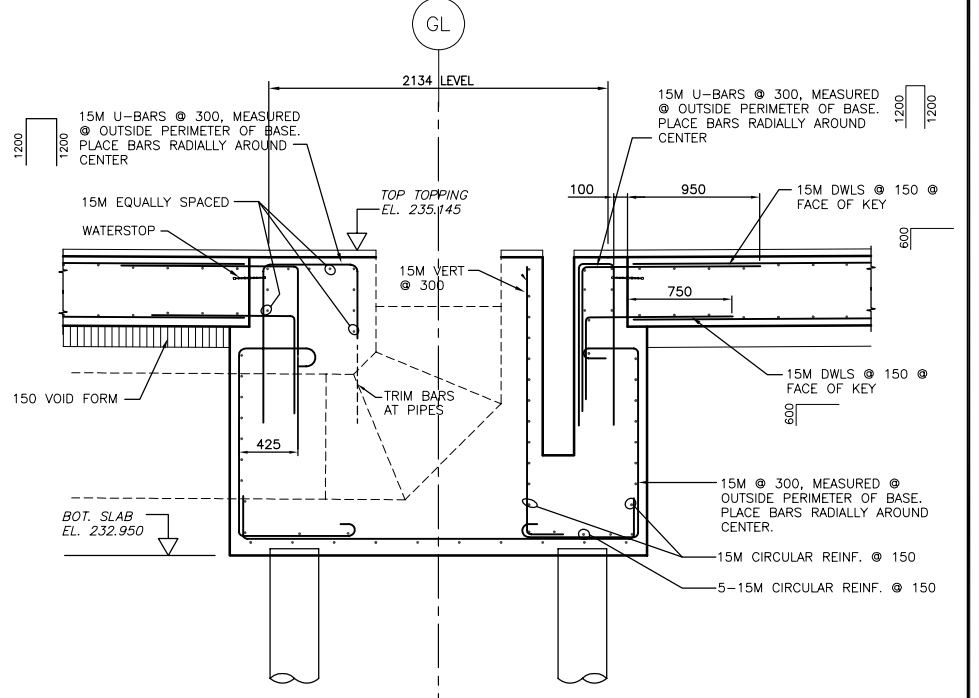
MARK	DIA.	CUT-OFF ELEV.
ROW 1	350	234.670
ROW 2	350	234.680
ROW 3	350	234.700
ROW 4	350	234.710
ROW 5	350	234.720
P-1	350	238.800

NOTE:
DIAMETER IS NOMINAL DIAMETER OF
PRECAST CONCRETE HEXAGONAL PILE

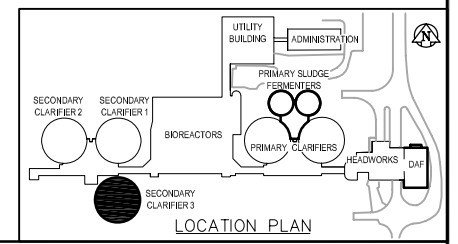
PILING PLAN
SCALE : 1:100



A SUMP PLAN
SS8.01 1:25



B SUMP SECTION
SS8.01 1:25



LOCATION PLAN



B.M. ELEV.		EarthTech A Tyco International Ltd. Company		ENGINEER'S SEAL	
DESIGNED BY	CJG	CHECKED BY	CJG	ORIGINAL SIGNED BY	C.J. GENTILE
DRAWN BY	NV	APPROVED BY	JEH	DATE	2006/04/25
HOR. SCALE: AS NOTED		RELEASED FOR CONSTRUCTION BY:		CONSULTANT DRAWING NO.	
VERTICAL SCALE:		J.VEILLEUX		SS8.01	
NO.	ISSUED FOR TENDER	DATE	06/04/26	DATE	2006/03/10
NO.	REVISIONS	DATE		DATE	2006/04/26

THE CITY OF WINNIPEG
WATER AND WASTE DEPARTMENT
ENGINEERING DIVISION

WEWPC
BIOLOGICAL NUTRIENT REMOVAL UPGRADE
CONTRACT No. 3

STRUCTURAL
AREA S - SECONDARY CLARIFIER 3
PILING PLAN AND SCHEDULE

CITY FILE NUMBER
SHEET OF
CITY DRAWING NUMBER