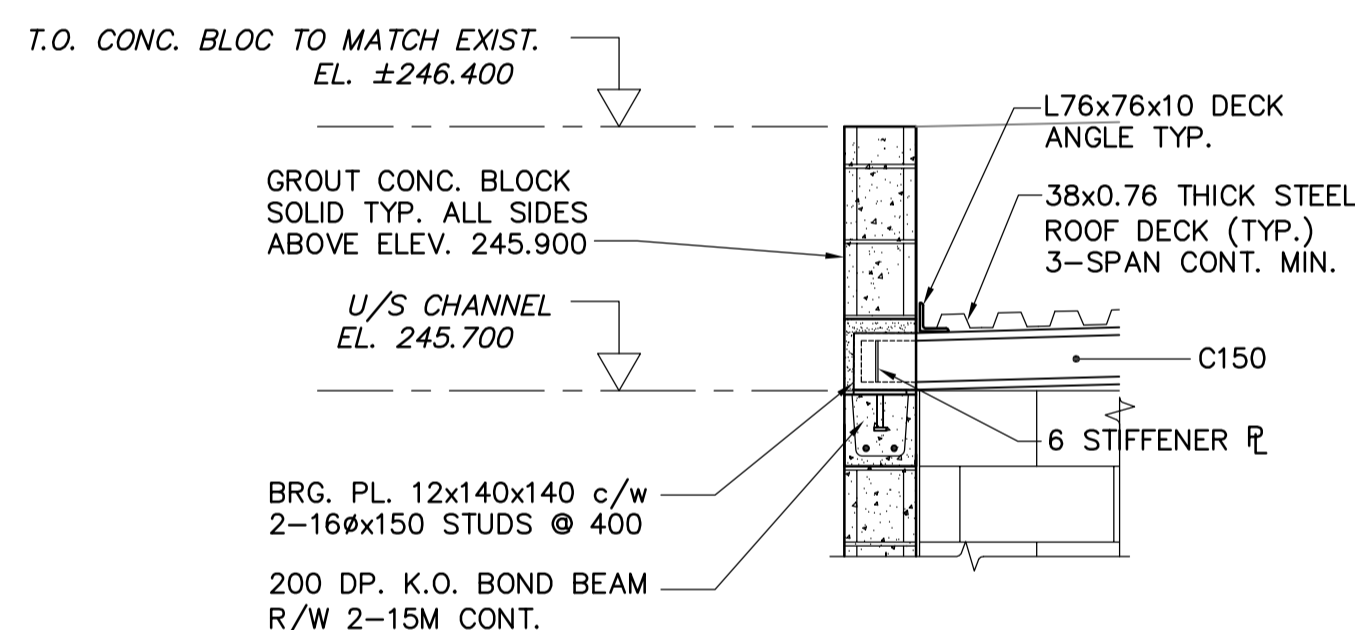
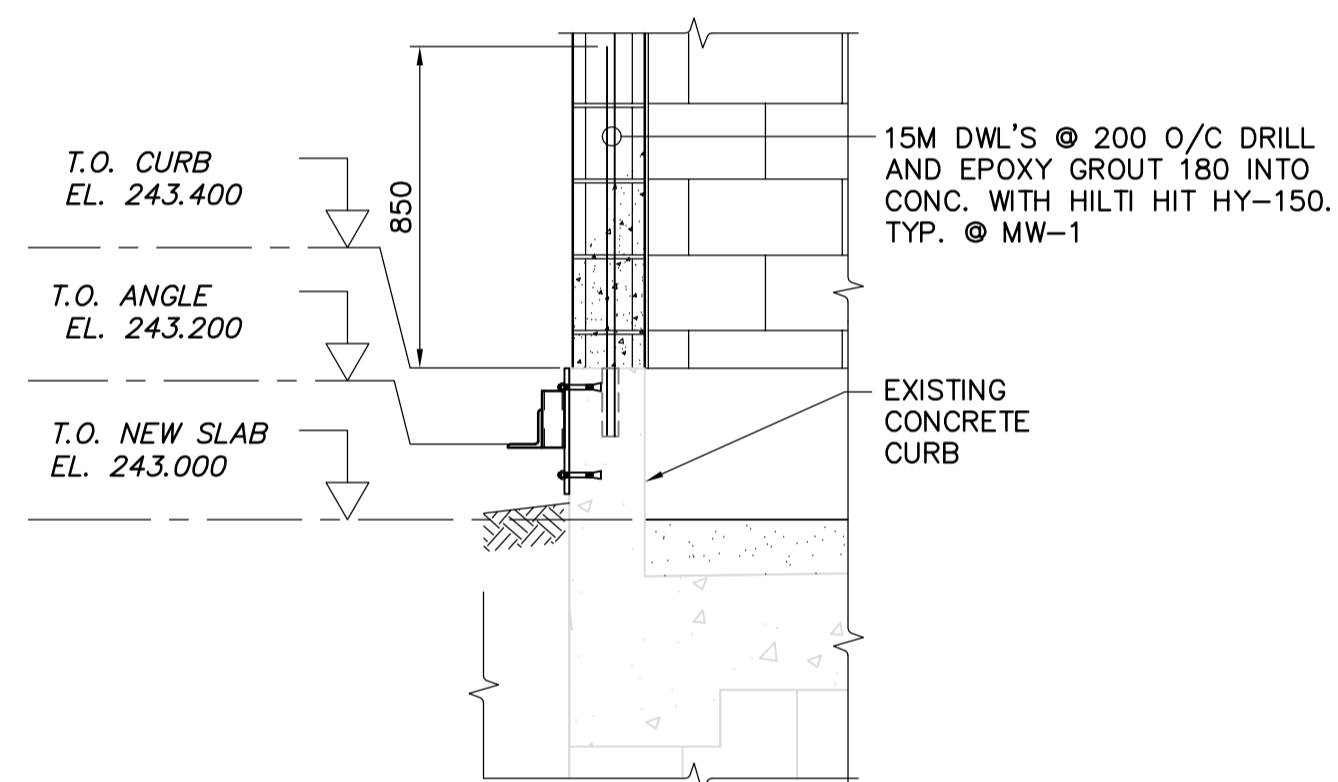


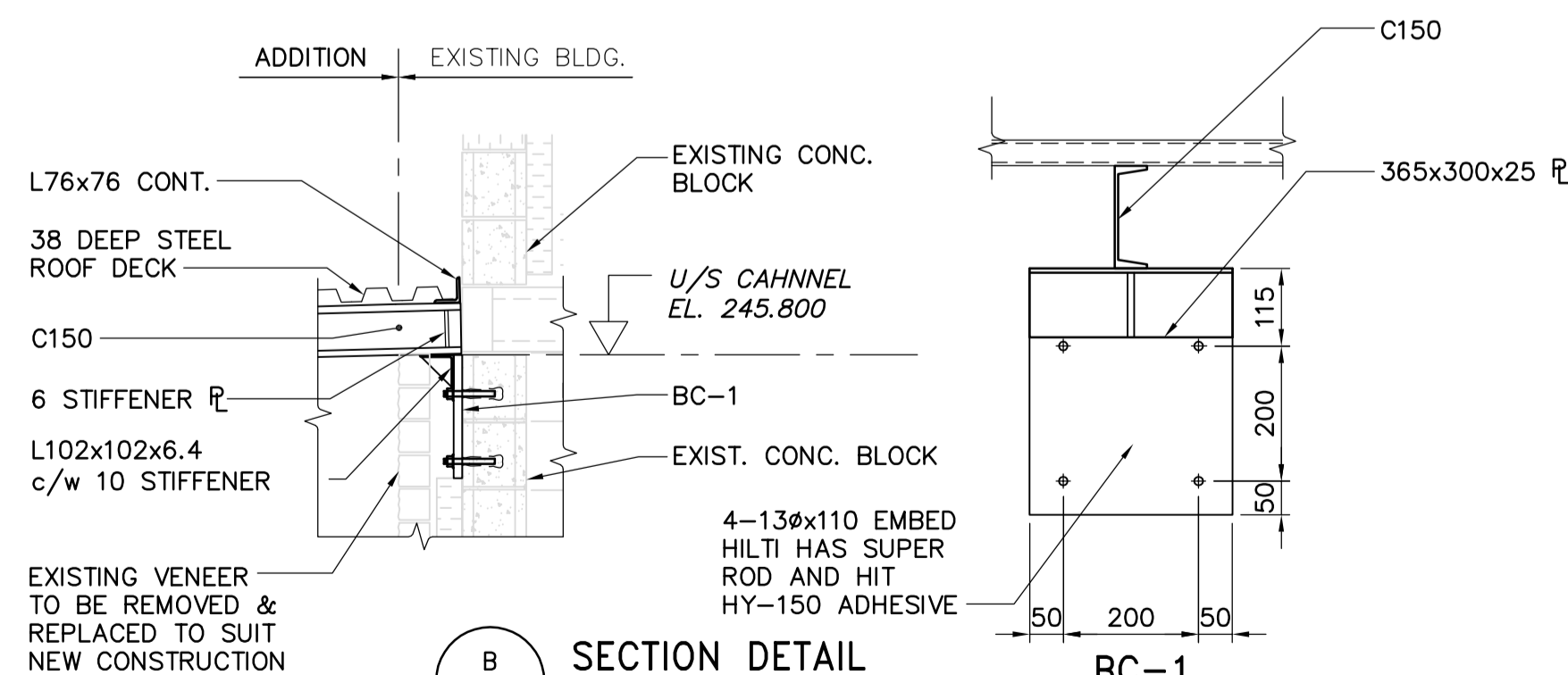
1 BUILDING SECTION
SS6.01 SCALE 1:30



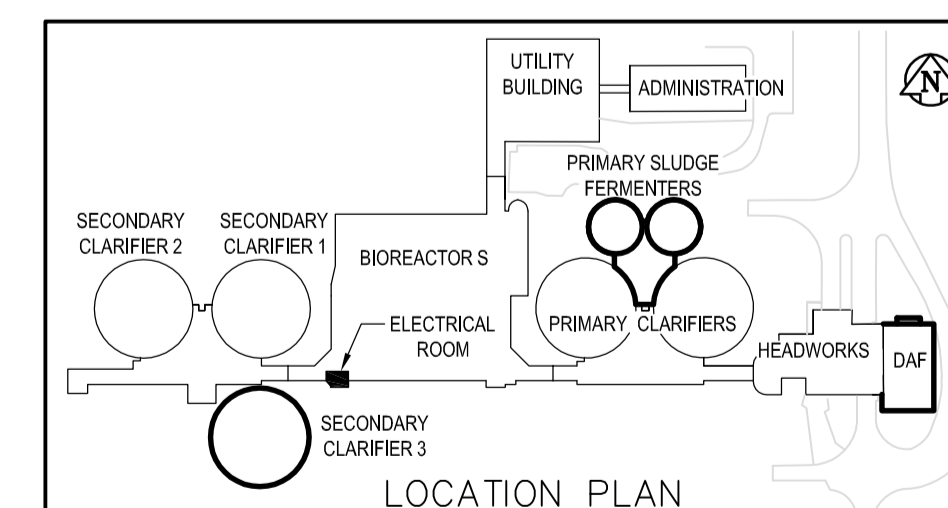
A SECTION DETAIL
SS6.02 SCALE 1:20



C SECTION DETAIL
SS6.02 SCALE 1:20



B SECTION DETAIL
SS6.02 SCALE 1:20



B.M. ELEV.		EarthTech A Tyco International Ltd. Company		ENGINEER'S SEAL	
DESIGNED BY	AA/JB	CHECKED BY	AA/JB	ORIGINAL SIGNED BY	J. BETKE
DRAWN BY	WDB	APPROVED BY	JEH	DATE	2006/04/26
HOR. SCALE: AS NOTED		RELEASED FOR CONSTRUCTION BY:		CONSULTANT DRAWING NO.	
VERTICAL SCALE: AS NOTED		J. VEILLEUX		SS6.02	
NO.	REVISIONS	DATE	BY	DATE	2006/04/26
00	ISSUED FOR TENDER	06/04/26	CMF	DATE	2006/04/26

THE CITY OF WINNIPEG WATER AND WASTE DEPARTMENT ENGINEERING DIVISION		CITY FILE NUMBER
WEWPC EFFLUENT DISINFECTION FACILITY CONTRACT No. 2		SHEET OF
STRUCTURAL AREA S - BIOREACTORS ELECTRICAL ROOM SECTIONS & DETAILS		CITY DRAWING NUMBER