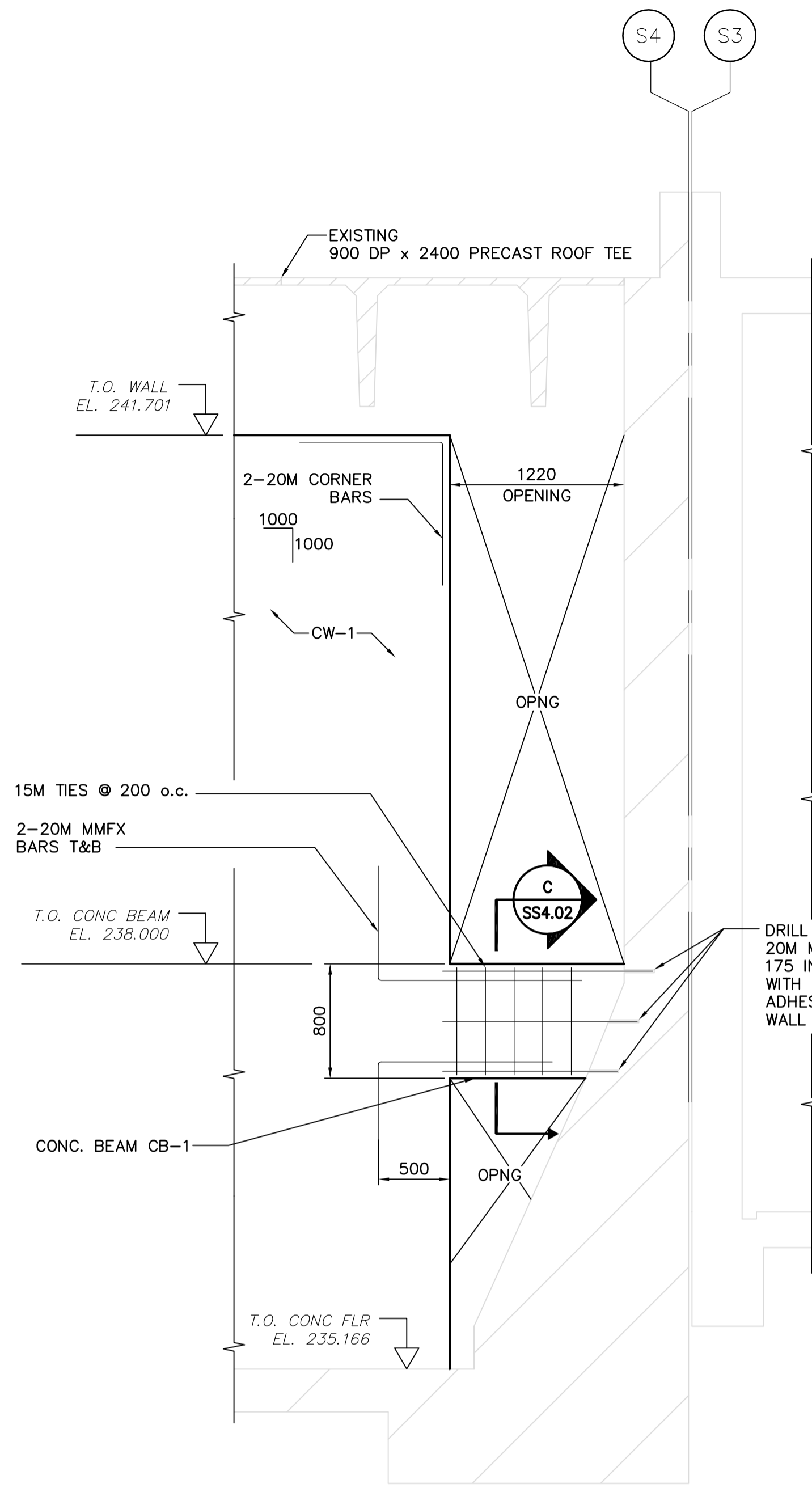
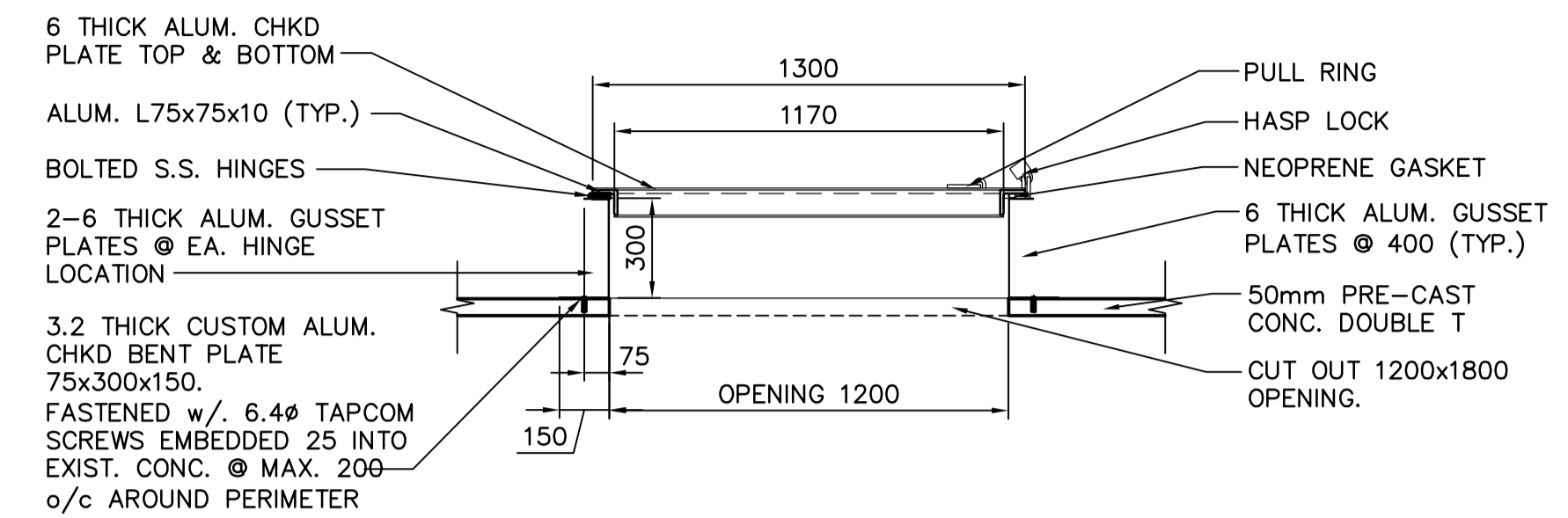


A TYP NOTCH DETAIL @ TOP OF CW-1
SS3.01 SCALE 1:20

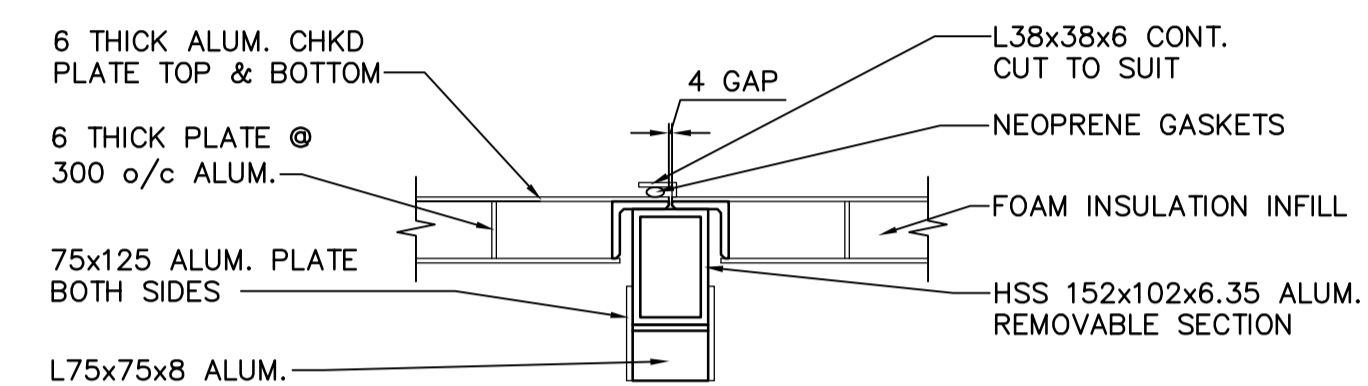


B DETAIL
SS3.02 SCALE 1:30

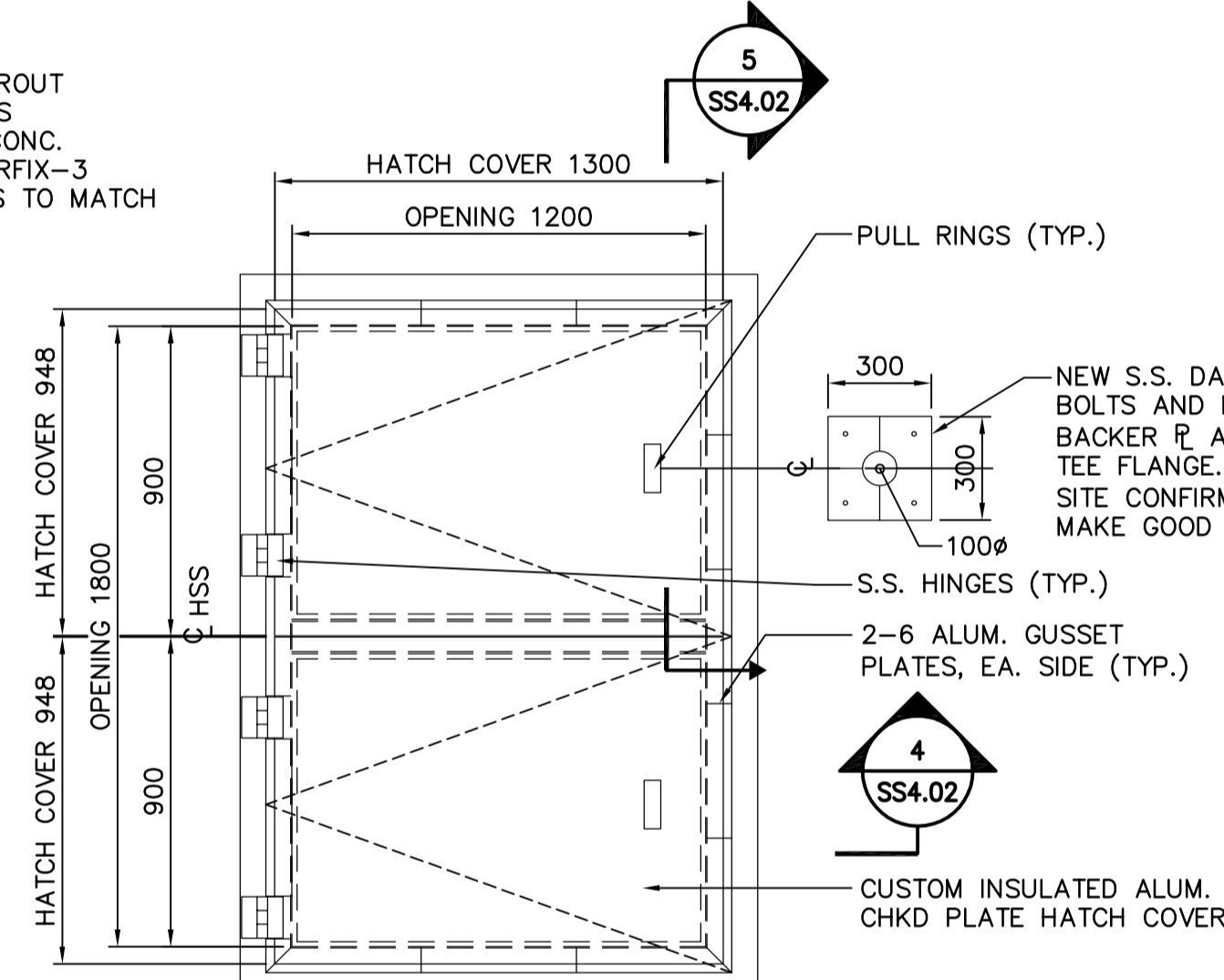
C DETAIL
SS4.02 SCALE 1:30



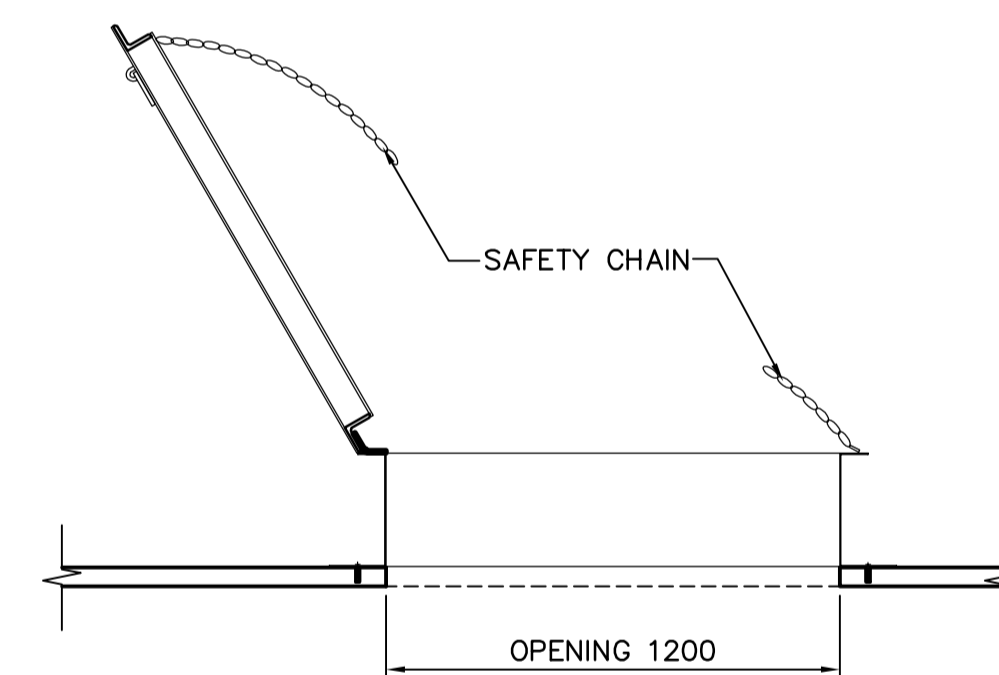
4 1200x1800 ACCESS HATCH SECTION
SS4.02 SCALE 1:20



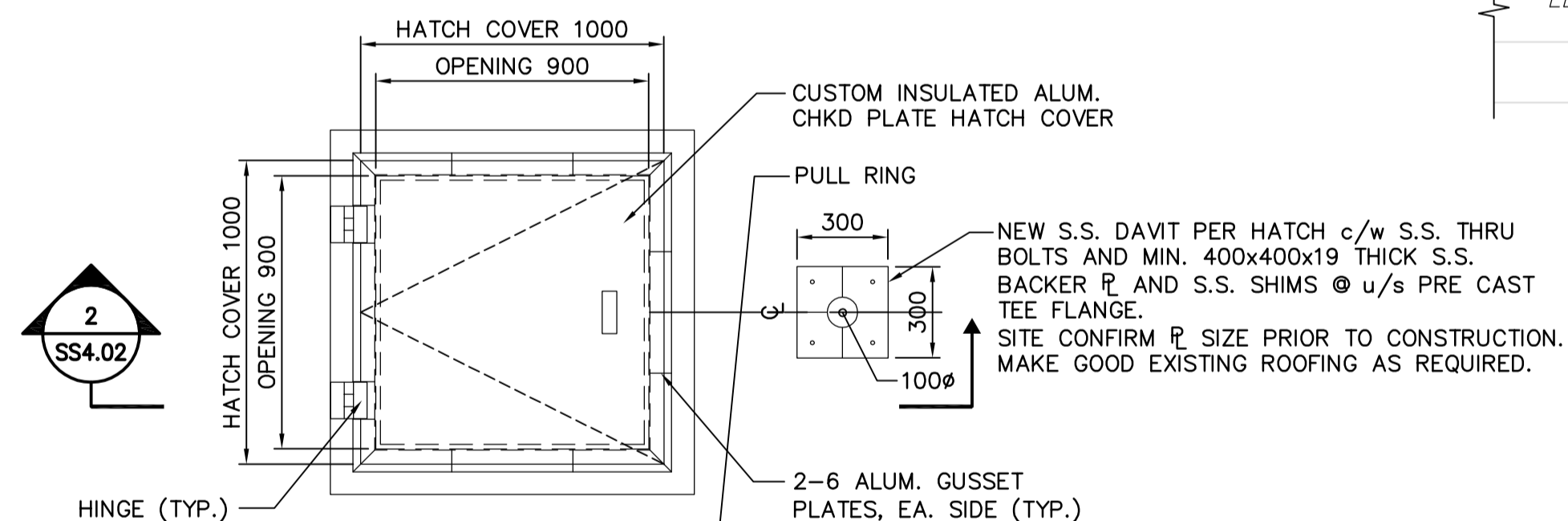
5 DETAIL
SS4.02 SCALE 1:20



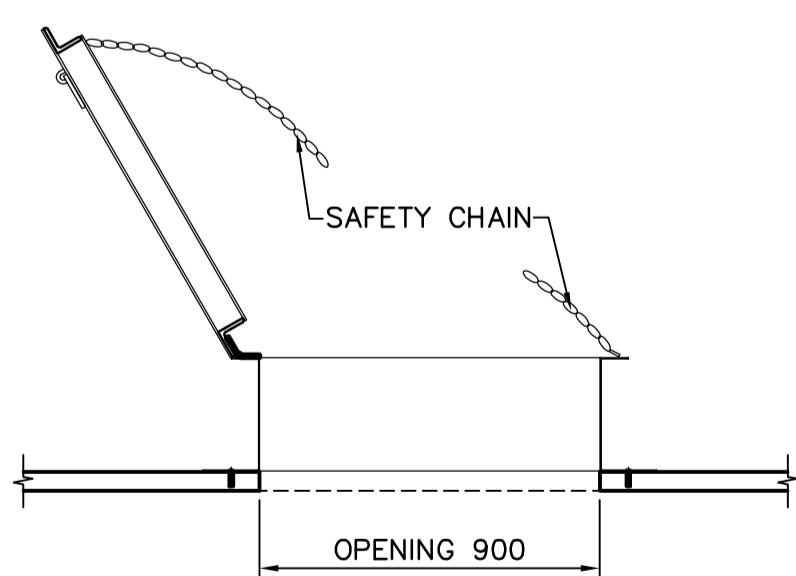
3 1200x1800 ACCESS HATCH PLAN
SS2.04 SCALE 1:20



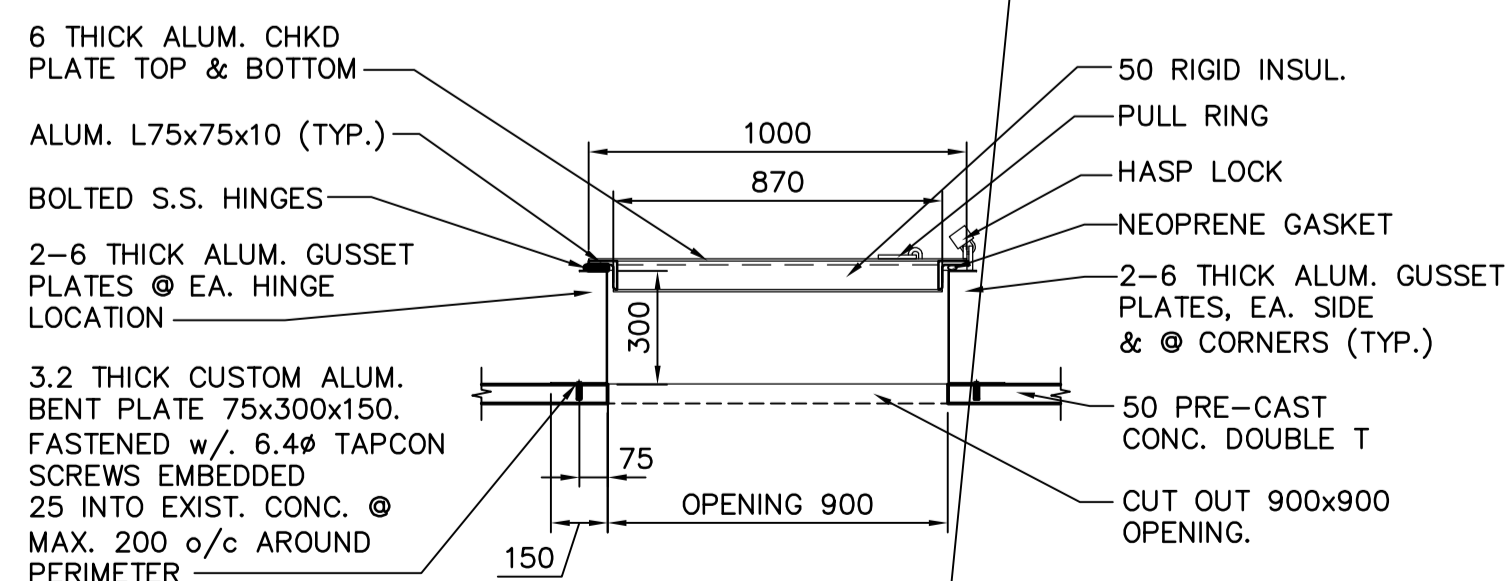
1200x1800 ACCESS HATCH
ADDITIONAL DETAIL
SCALE 1:20



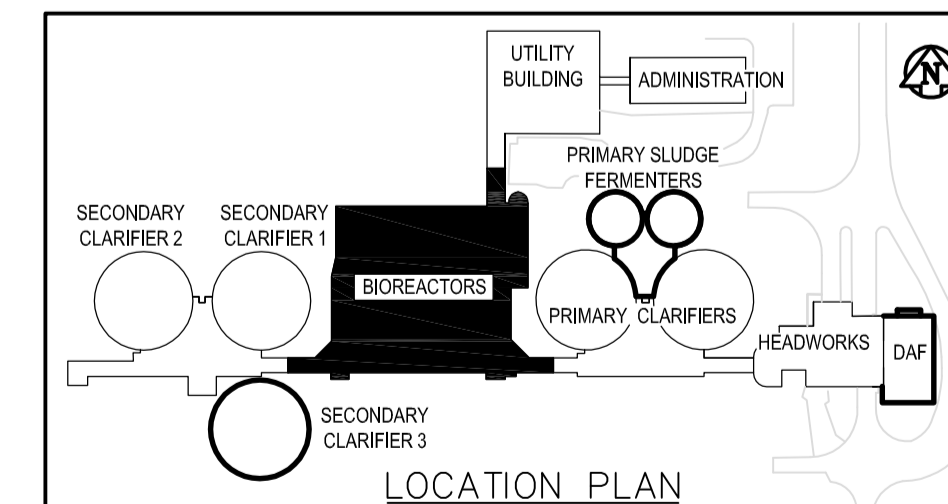
1 900x900 ACCESS HATCH PLAN
SS4.02 SCALE 1:20



900x900 ACCESS HATCH
ADDITIONAL DETAIL
SCALE 1:20



2 900x900 ACCESS HATCH SECTION
SS4.02 SCALE 1:20



LOCATION PLAN

APEGM
Certificate of Authorization
Earth Tech Canada Inc.
No. 730 Expiry: April 30, 2006

<p>EarthTech A Tyco International Ltd. Company</p>		ENGINEER'S SEAL ORIGINAL SIGNED BY J. BETKE 2006/04/26 CONSULTANT DRAWING NO. SS4.02
DESIGNED BY AA/JB DRAWN BY WDB HOR. SCALE: AS NOTED VERTICAL SCALE:	CHECKED BY AA/JB APPROVED BY JEH RELEASED FOR CONSTRUCTION BY: J. VEILLEUX DATE 2006/02/16	CITY FILE NUMBER SHEET OF CITY DRAWING NUMBER

<p>THE CITY OF WINNIPEG WATER AND WASTE DEPARTMENT ENGINEERING DIVISION</p>		WEWPCC BIOLOGICAL NUTRIENT REMOVAL UPGRADE CONTRACT 3
STRUCTURAL AREA S - BIOREACTORS DETAILS		CITY DRAWING NUMBER