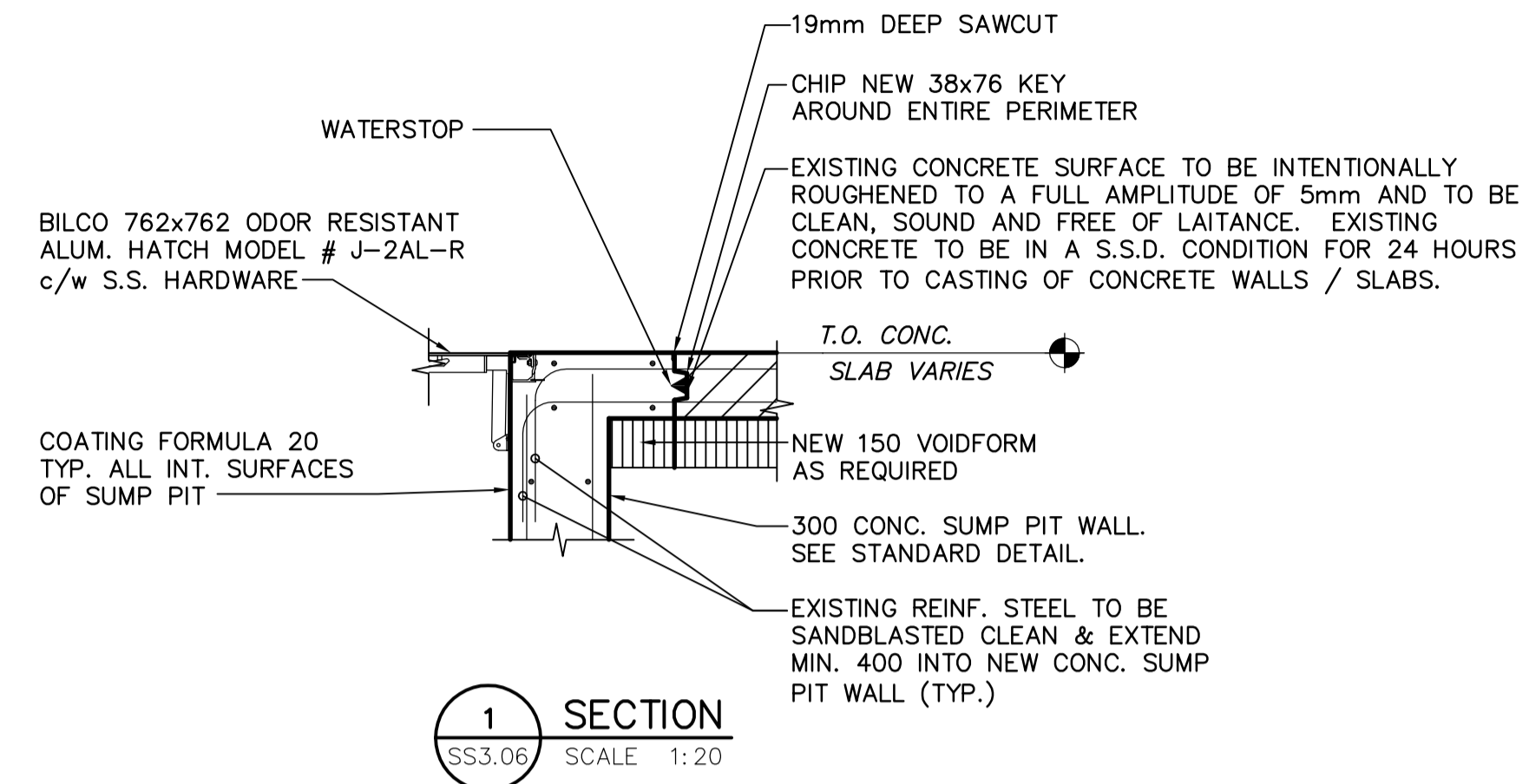
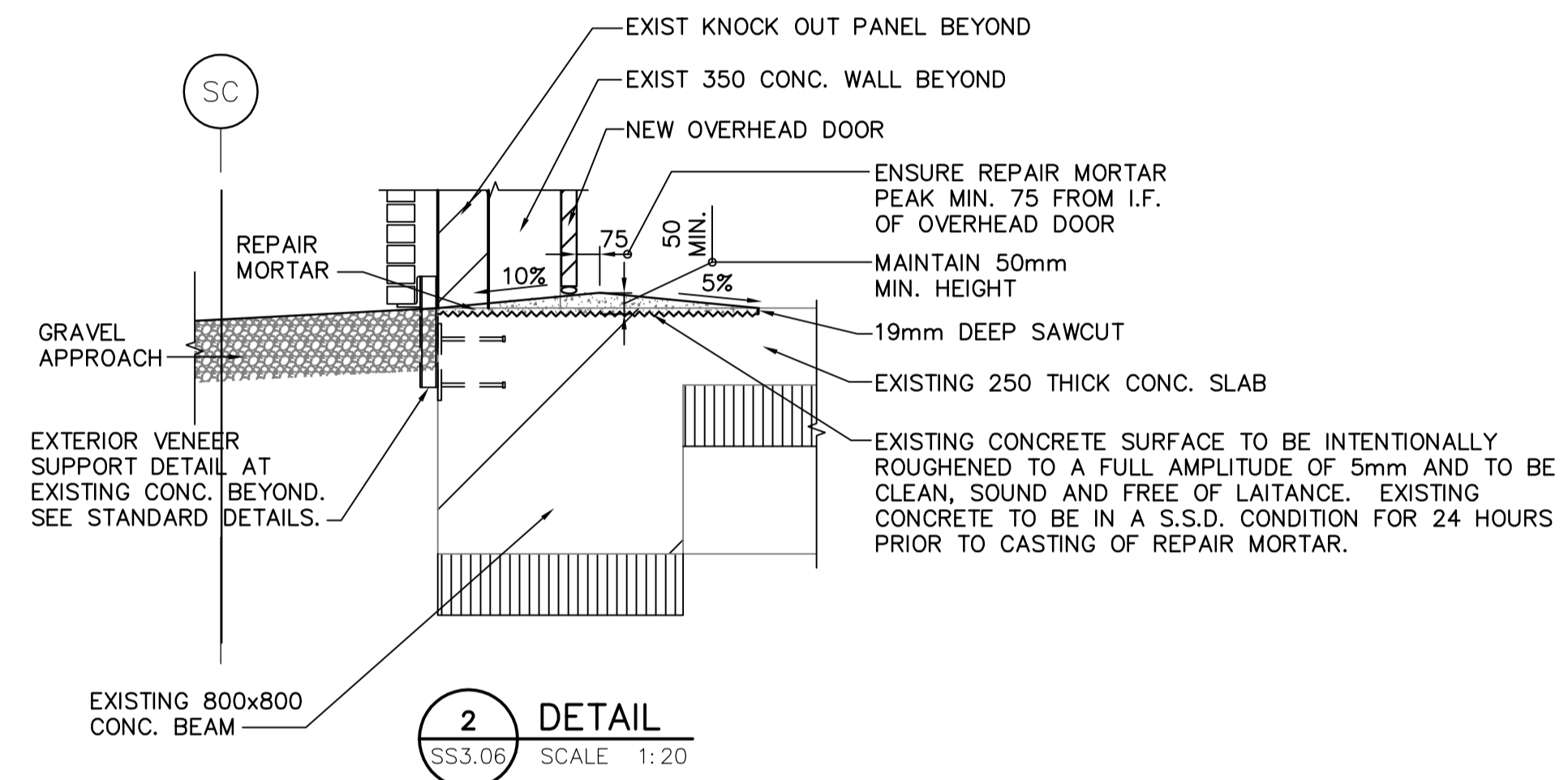


6 SUMP PIT PLAN
SS2.02 SCALE 1:20

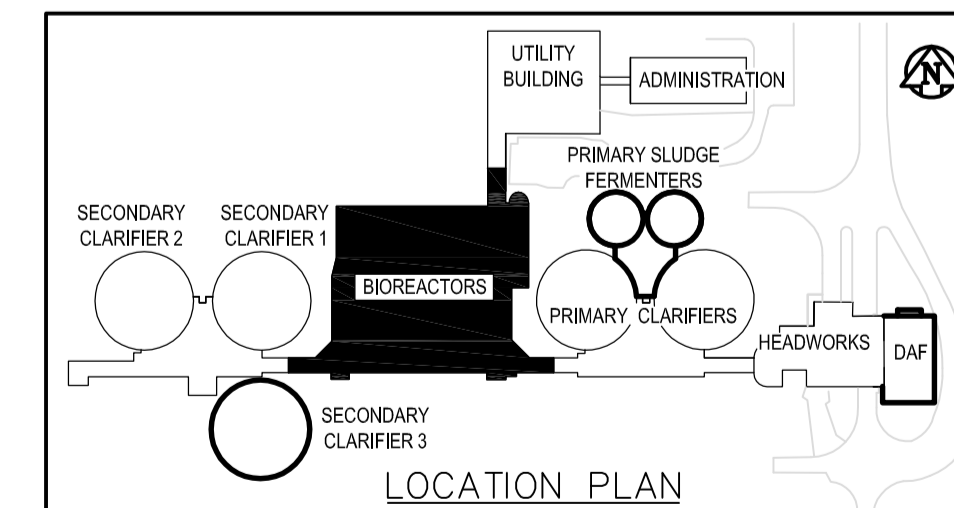
NOTE:
1. SHORE EXIST. CONC. AS REQUIRED.



1 SECTION
SS3.06 SCALE 1:20



2 DETAIL
SS3.06 SCALE 1:20



<p>A Tyco International Ltd. Company</p>		ENGINEER'S SEAL ORIGINAL SIGNED BY J. BETKE 2006/04/26	
DESIGNED BY	AA/JB	CHECKED BY	AA/JB
DRAWN BY	KK	APPROVED BY	JEH
HOR. SCALE: AS NOTED		RELEASED FOR CONSTRUCTION BY: J. VEILLEUX	
VERTICAL SCALE:		DATE 2006/04/20	
ISSUED FOR TENDER	06/04/26	DATE	2006/04/20
NO. REVISIONS	DATE	BY	DATE

<p>THE CITY OF WINNIPEG WATER AND WASTE DEPARTMENT ENGINEERING DIVISION</p>		CITY FILE NUMBER
WEWPCC BIOLOGICAL NUTRIENT REMOVAL UPGRADE CONTRACT 3		SHEET OF
STRUCTURAL AREA S - BIOREACTORS DETAILS & SECTIONS		CITY DRAWING NUMBER