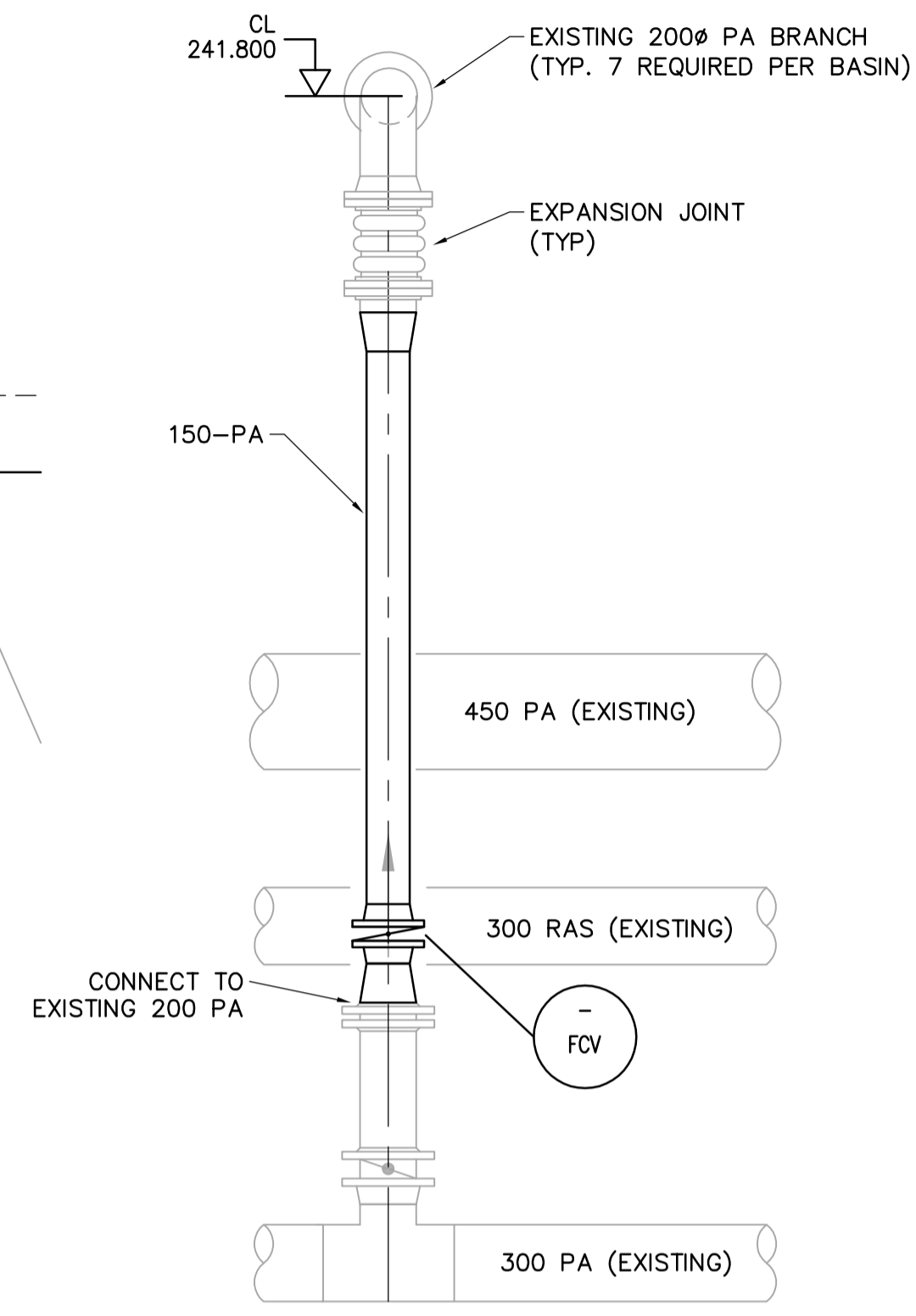
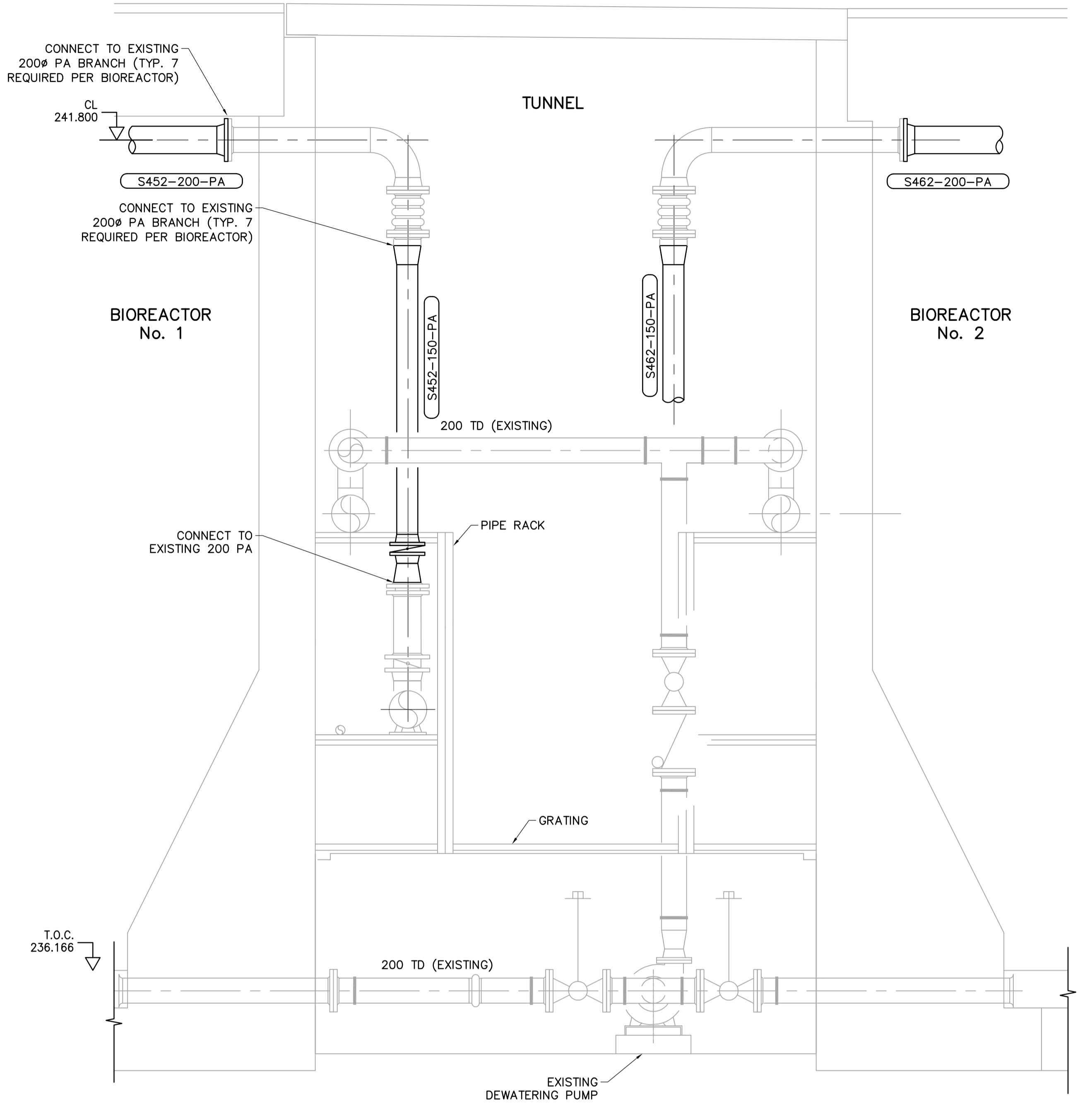


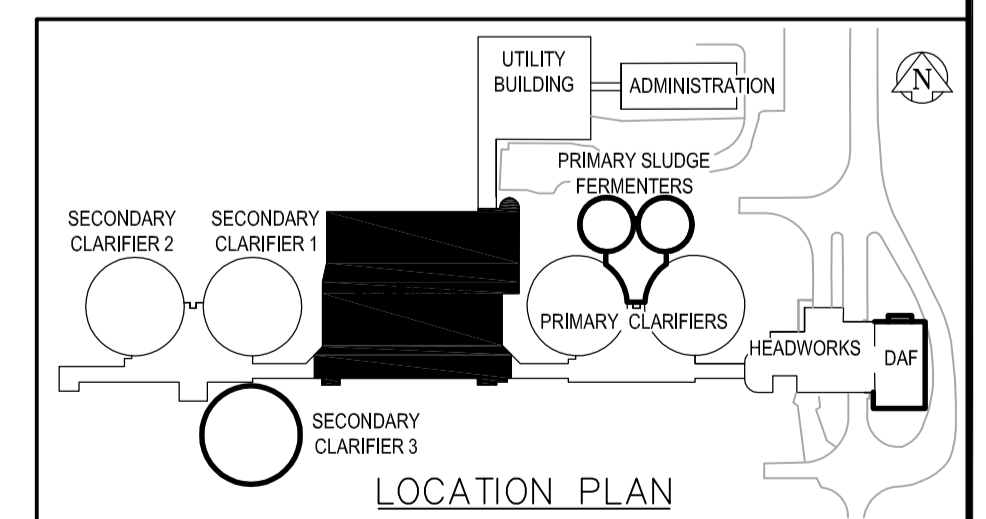
1 SECTION
SP1.04 1:25



3 AERATION HEADER CONNECTION (TYP)
1:25
TYPICAL SECTION OF AERATION SUPPLY
14 AERATION SUPPLY PIPES IN TOTAL



4 SECTION
SP1.02 1:25



GENERAL NOTES

1. CONTRACTOR TO CONFIRM EXISTING PIPE AND EQUIPMENT DIMENSIONS AND LOCATIONS PRIOR TO CONSTRUCTION.

APECM
Certificate of Authorization
Earth Tech Canada Inc.
No. 730 Expiry: April 30, 2006

NO.	REVISIONS	DATE	BY	DATE
00	ISSUED FOR TENDER	06/04/26	SRP	

EarthTech A Tyco International Ltd. Company	
DESIGNED BY: CL	CHECKED BY: KM
DRAWN BY: RI	APPROVED BY: JEH
HOR. SCALE: AS NOTED	RELEASED FOR CONSTRUCTION BY: J. VEILLEUX
VERTICAL SCALE:	DATE: 2005/10/06
	DATE: 2006/04/26

ENGINEER'S SEAL
ORIGINAL SIGNED BY: P.R. BARSALOU
2006/04/26
CONSULTANT DRAWING NO. SP1.07

THE CITY OF WINNIPEG
WATER AND WASTE DEPARTMENT
ENGINEERING DIVISION

WEWPC
BIOLOGICAL NUTRIENT REMOVAL UPGRADE
CONTRACT 3

PROCESS
AREA S - BIOREACTORS
CONNECTION DETAILS

CITY FILE NUMBER
SHEET OF
CITY DRAWING NUMBER