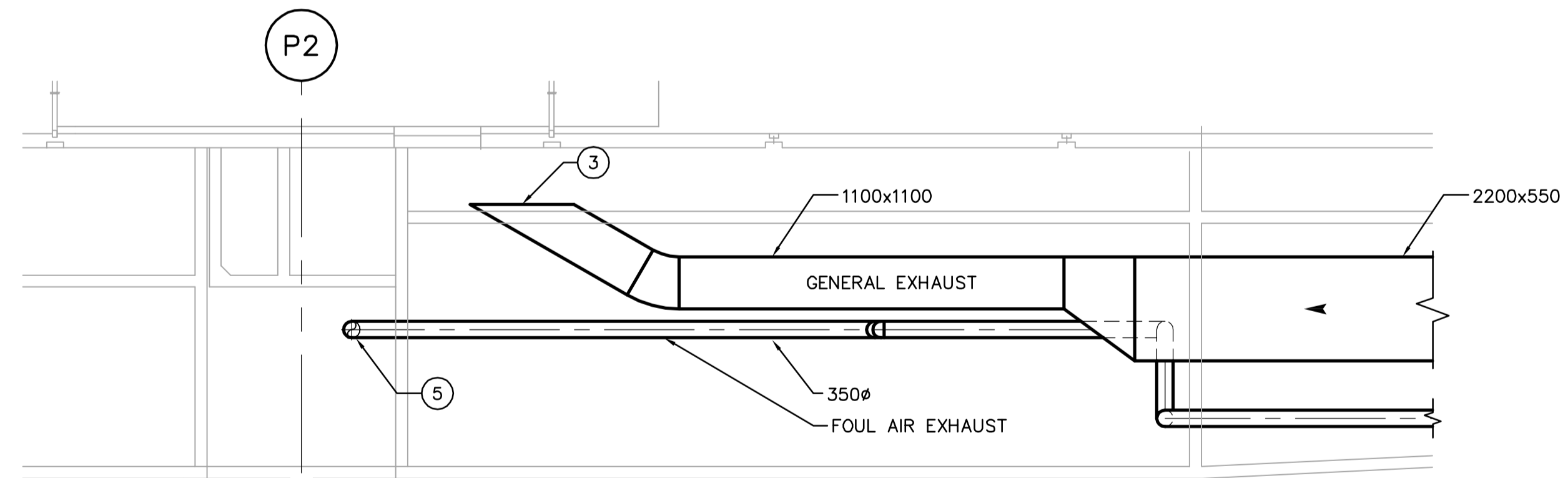
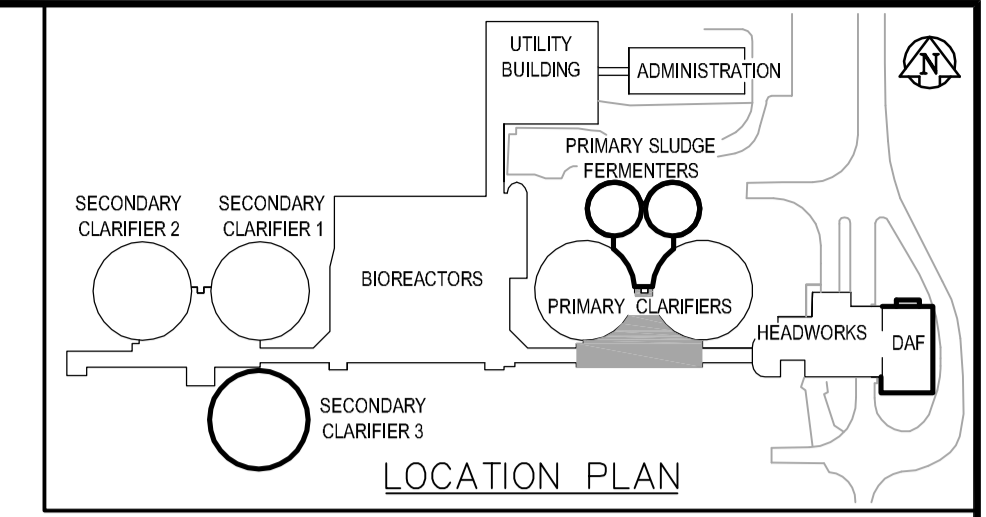


TUNNEL VENTILATION PLAN
SCALE: 1:100



1 SECTION
PM2.01 SCALE 1:50



DRAWING NOTES

- ① EXHAUST FROM SLUDGE HOLDING TANKS AND DAF TANKS.
- ② TO THERMAL OXIDIZER. FOR CONTINUATION SEE DRAWING FM2.01.
- ③ TIE INTO EXISTING DUCT AT PRIMARY CLARIFIER.
- ④ FOR CONTINUATION SEE DRAWING HM2.02.
- ⑤ TO FERMENTER GALLERY.

GENERAL NOTES

- 1. COORDINATE WITH OTHER TRADES SO AS TO PREVENT CONFLICTS.
- 2. ALL DUCTWORK SHALL BE SUPPORTED AND SUSPENDED AS PER SPECIFICATIONS AND LOCAL CODES. (SEE DETAILS)



B.M. ELEV.				ENGINEER'S SEAL	
DESIGNED BY	DC			CHECKED BY	PVL
DRAWN BY	DC	APPROVED BY	JEH	DATE	2006/04/26
HOR. SCALE: AS NOTED		RELEASED FOR CONSTRUCTION BY:		CONSULTANT DRAWING NO.	
VERTICAL SCALE:		J. VEILLEUX		PM2.01	
NO.	REVISIONS	DATE	BY	DATE	2006/01/02
00	ISSUED FOR TENDER	06/04/26	DC	DATE	2006/04/26

THE CITY OF WINNIPEG
 WATER AND WASTE DEPARTMENT
 ENGINEERING DIVISION

WEWPCC
 BIOLOGICAL NUTRIENT REMOVAL UPGRADE
 CONTRACT 3

MECHANICAL
 AREA P - PRIMARY CLARIFIERS
 TUNNEL VENTILATION PLAN

CITY FILE NUMBER
 SHEET OF
 CITY DRAWING NUMBER