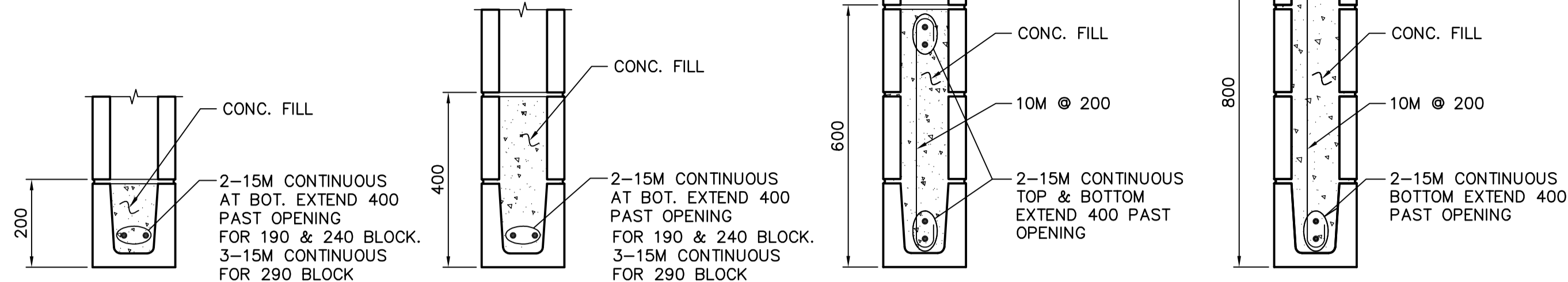
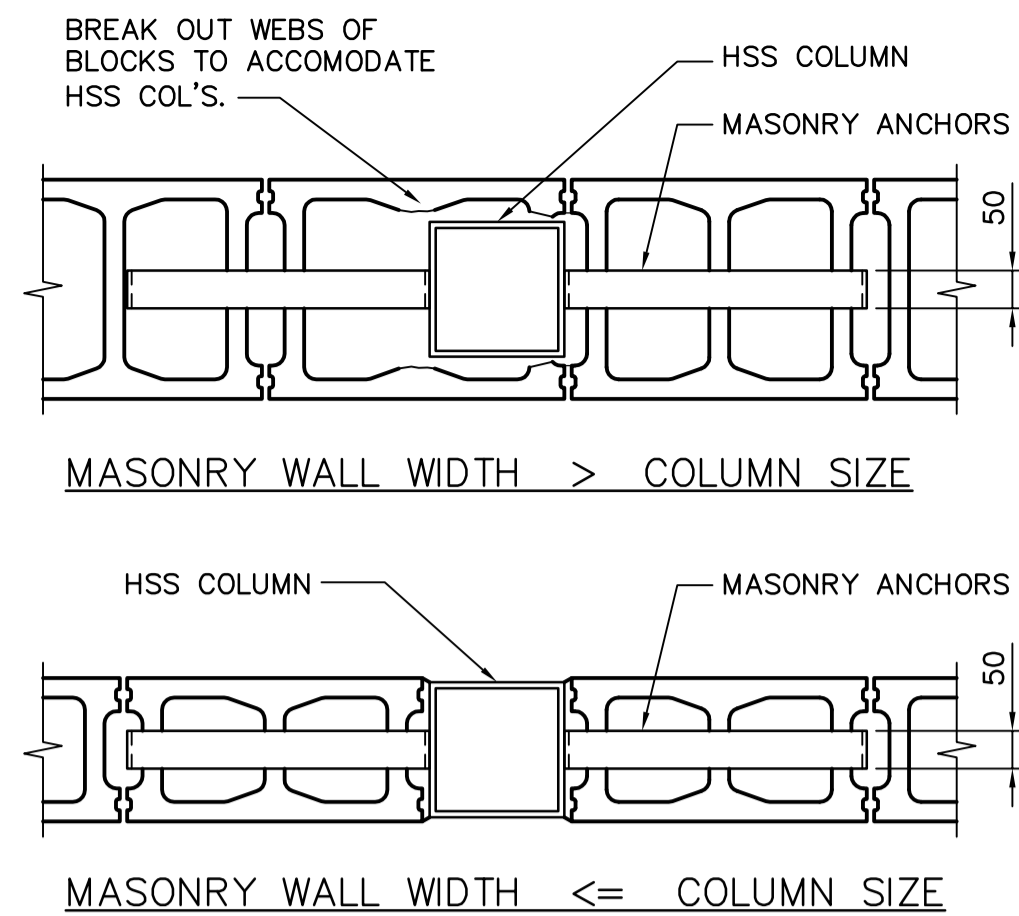


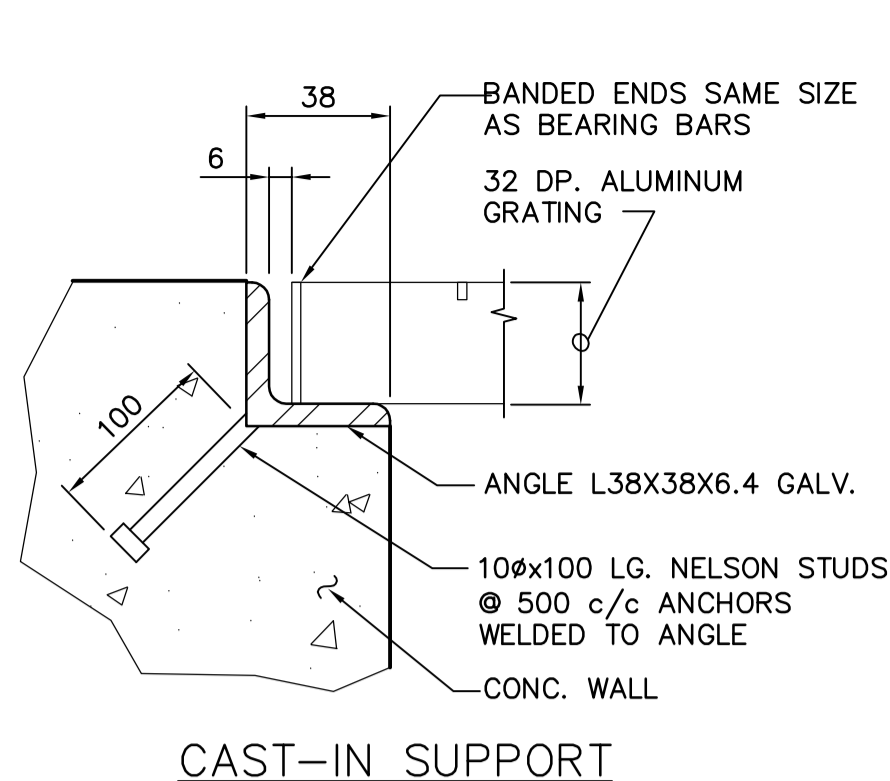
NOTE:
K.O. TYPE BLOCKS MAY BE USED FOR LINTELS AT LOCATIONS WHERE UNDERSIDE OF BLOCK WILL NOT BE VISIBLE.



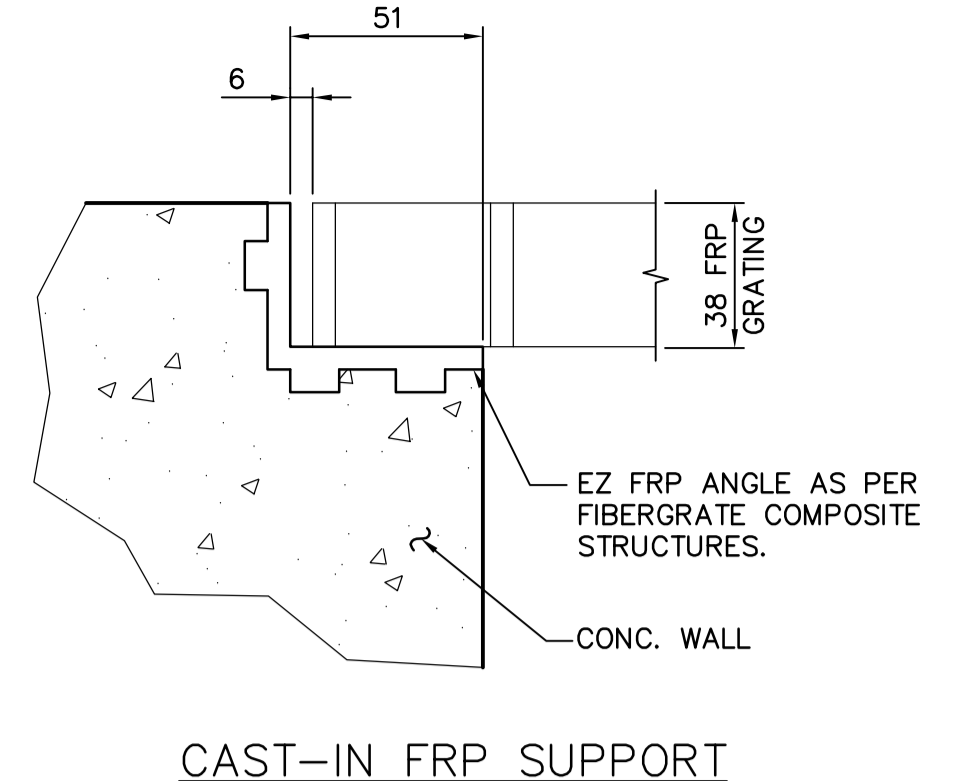
LINTEL BEAM FOR CLEAR SPANS ≤1200mm LINTEL TYPE L-1
 LINTEL BEAM FOR 1200mm < CLEAR SPANS ≤2400mm LINTEL TYPE L-2
 LINTEL BEAM FOR 2400mm < CLEAR SPANS ≤3200mm LINTEL TYPE L-3
 LINTEL BEAM FOR 2400mm < CLEAR SPANS ≤3200mm LINTEL TYPE L-4



MASONRY WALL WIDTH > COLUMN SIZE
 MASONRY WALL WIDTH ≤ COLUMN SIZE



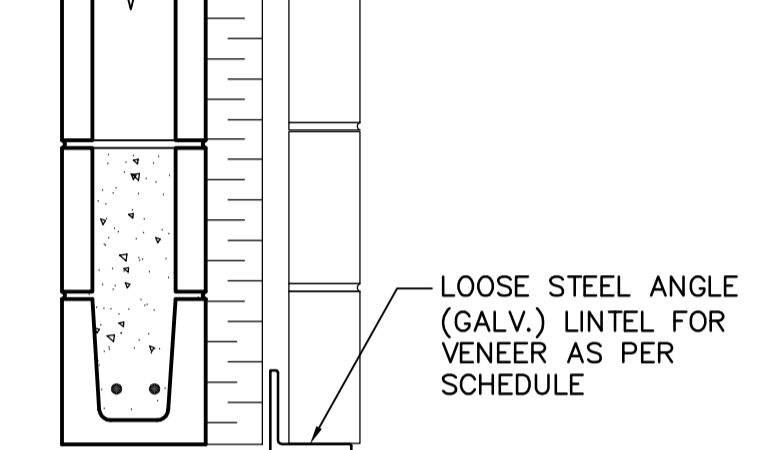
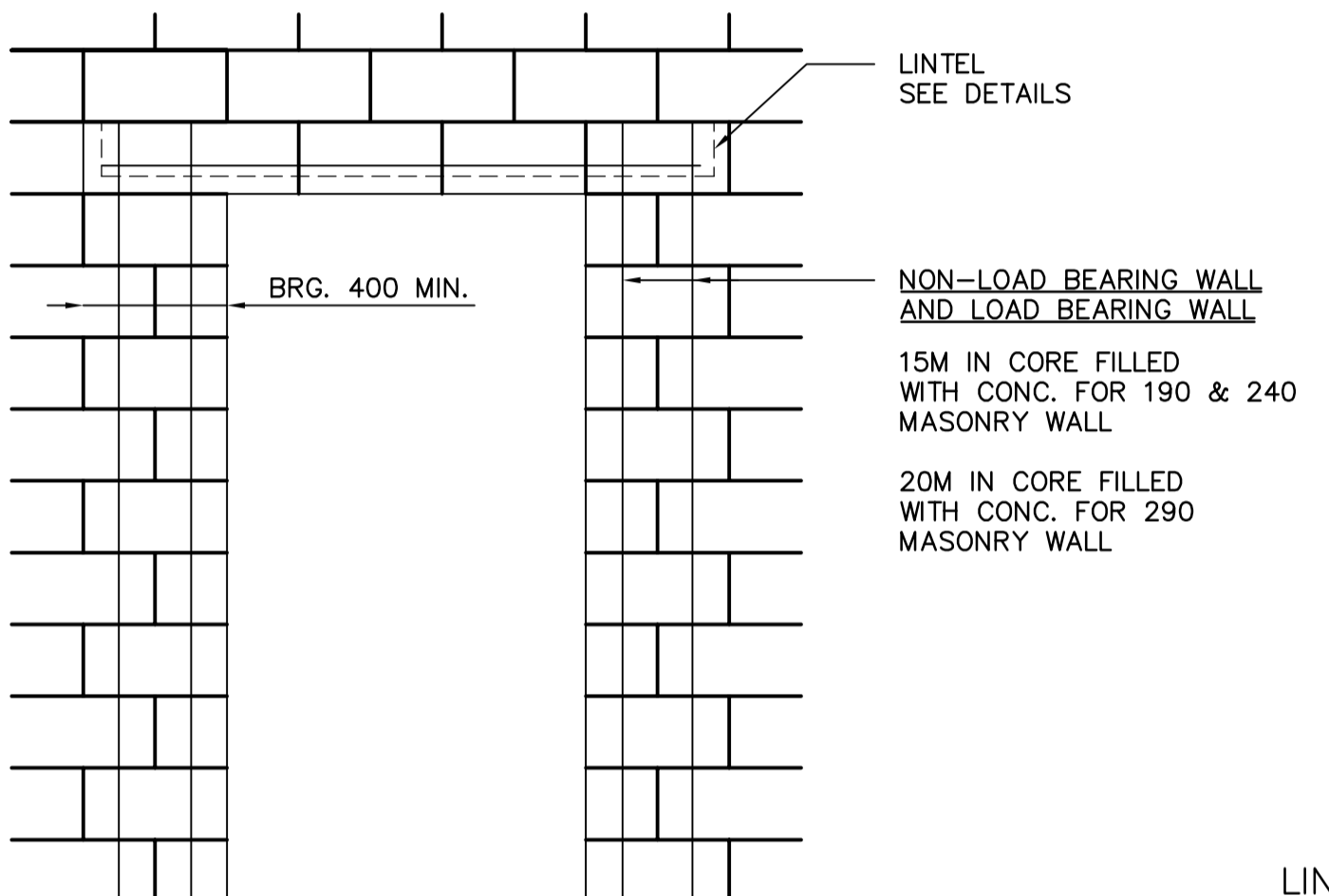
CAST-IN SUPPORT



CAST-IN FRP SUPPORT

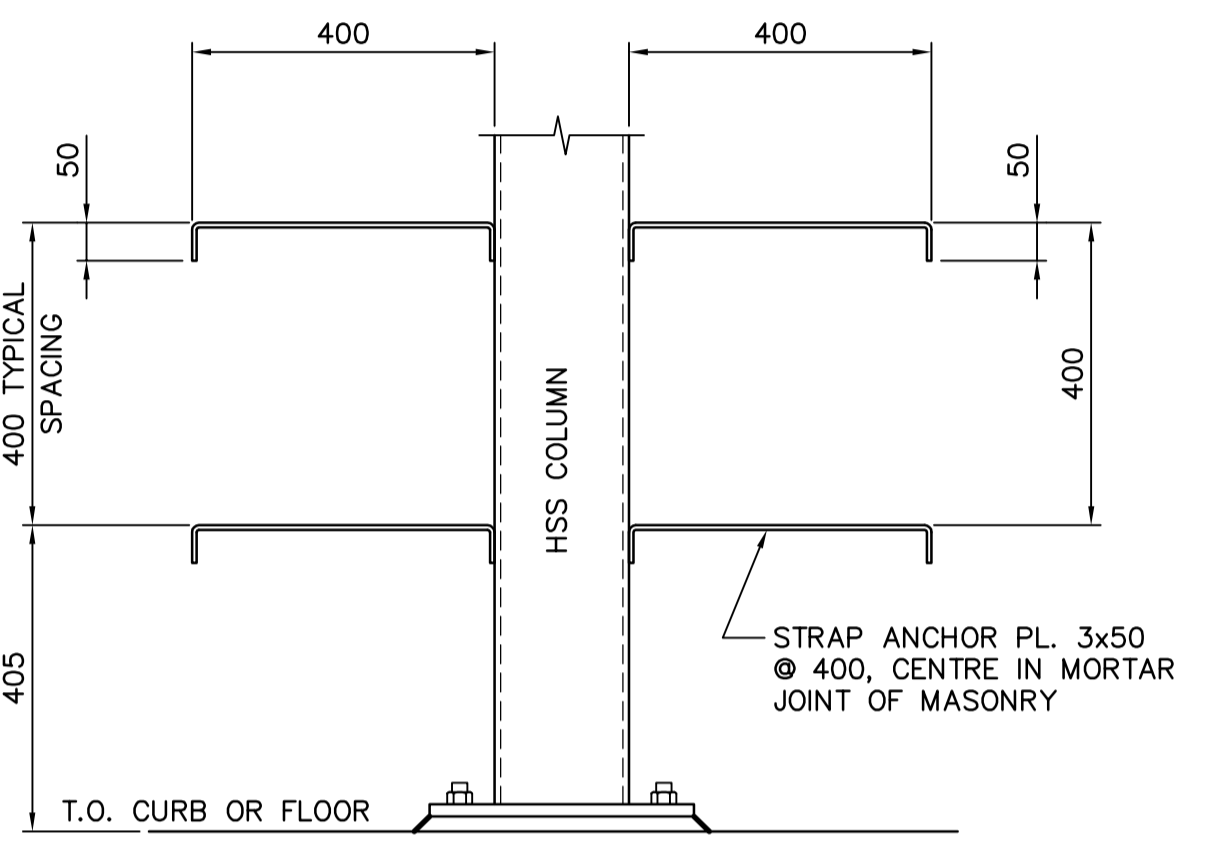
NOTES:
 1. GRATING DESIGN FOR LIVE LOAD SEE PLANS AND STRUCTURAL NOTES
 2. ALL PARTS SHALL BE GALVANIZED STEEL UNLESS NOTED OTHERWISE

NOTES:
 1. GRATING DESIGN FOR LIVE LOAD SEE PLANS AND STRUCTURAL NOTES
 2. ALL PARTS SHALL BE FRP UNLESS NOTED OTHERWISE

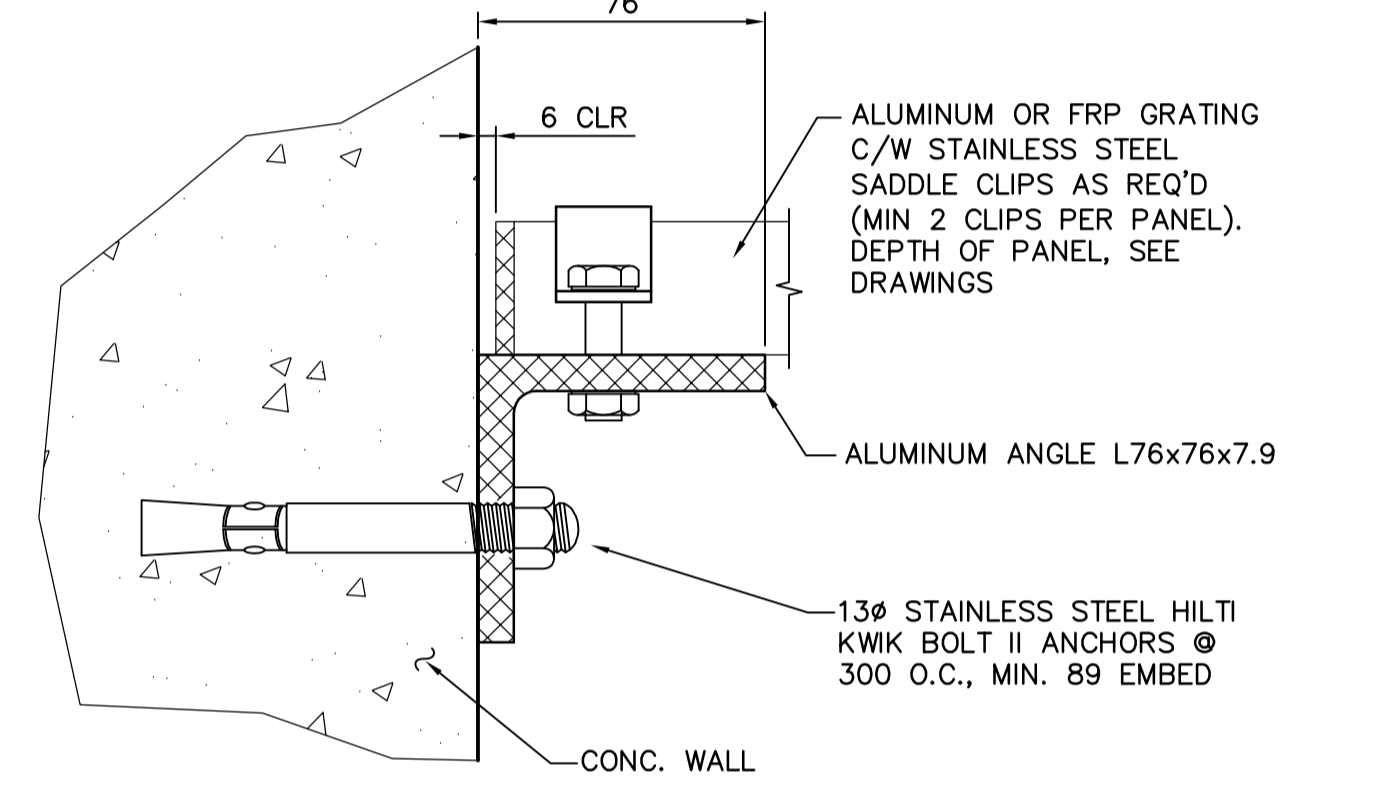
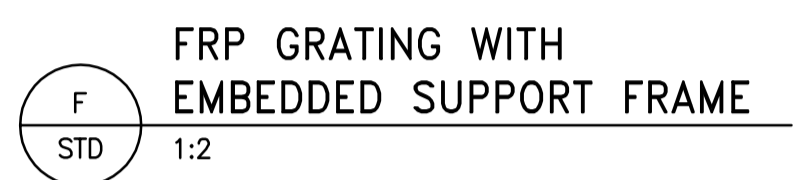
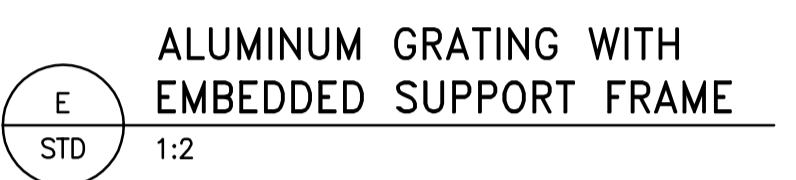


OPENING	SUPPORT ANGLE
UP TO 1200	L 102x89x9.5
1200 TO 2000	L 127x89x9.5 (LLV)
OVER 2000	AS PER DETAILS

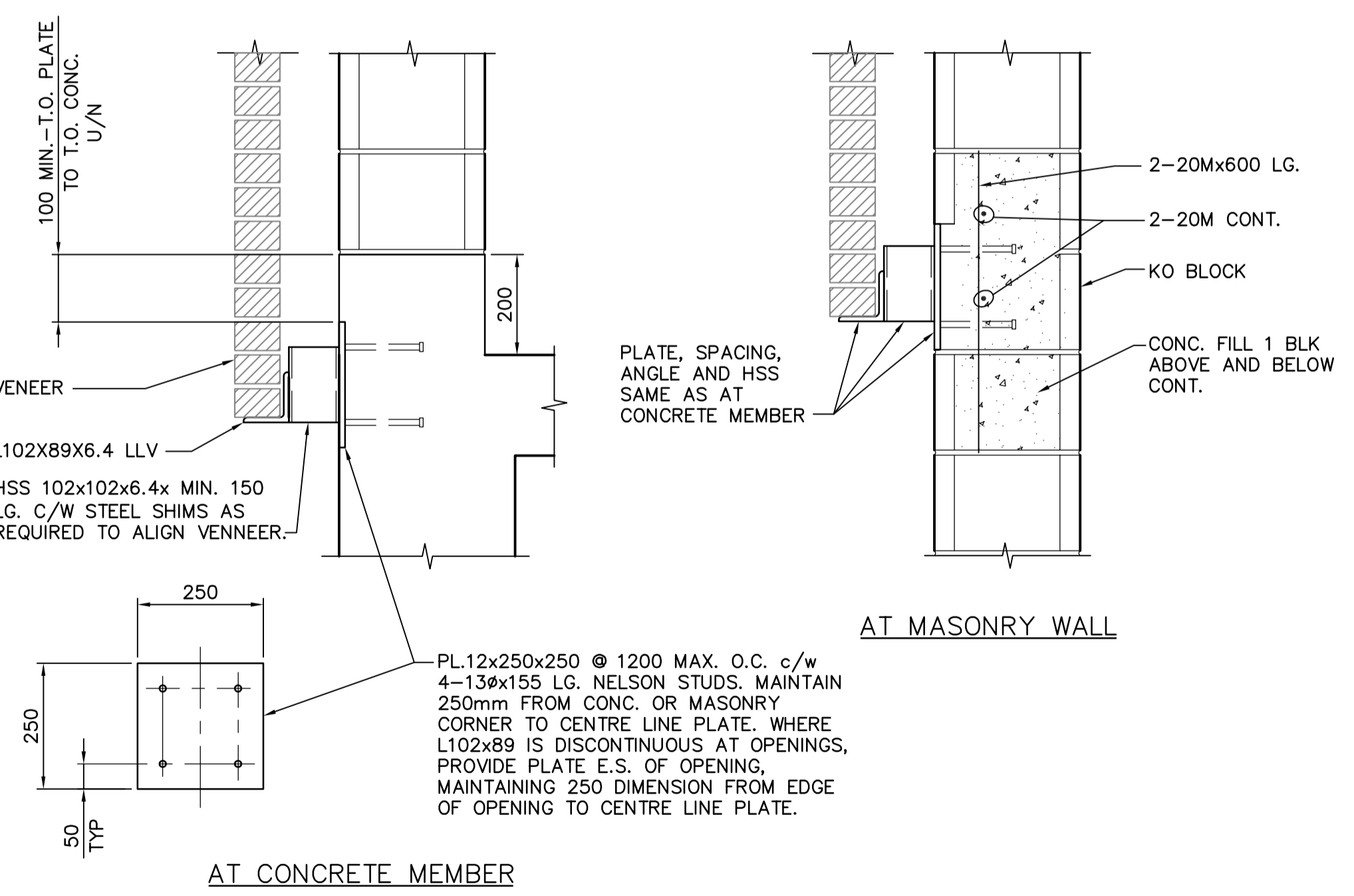
LINTEL SUPPORT FOR EXTERIOR VENEER



TYPICAL MASONRY STRAP ANCHORS FROM HSS COLUMN DETAIL

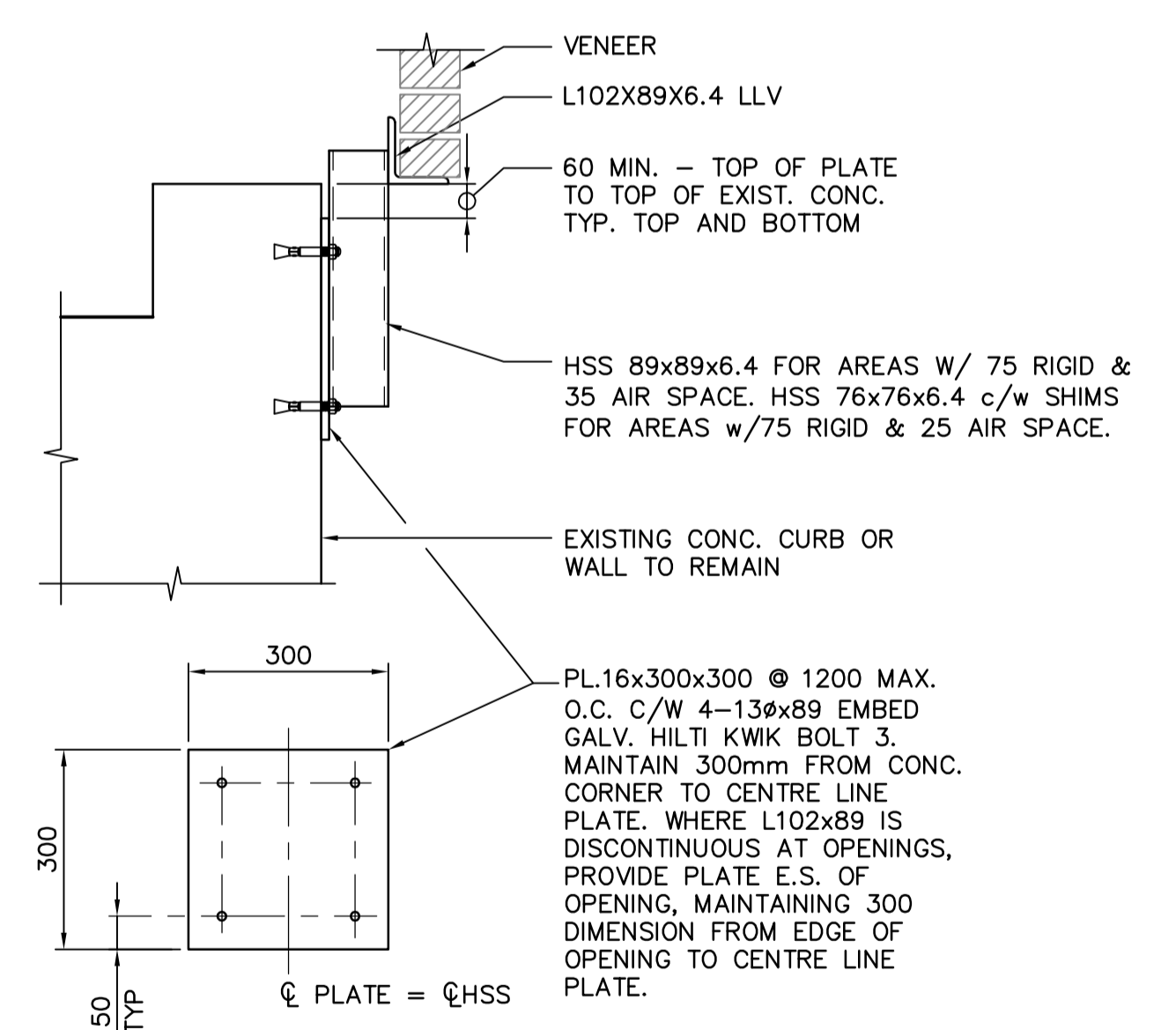


A MASONRY LINTEL DETAILS
 STD N.T.S.



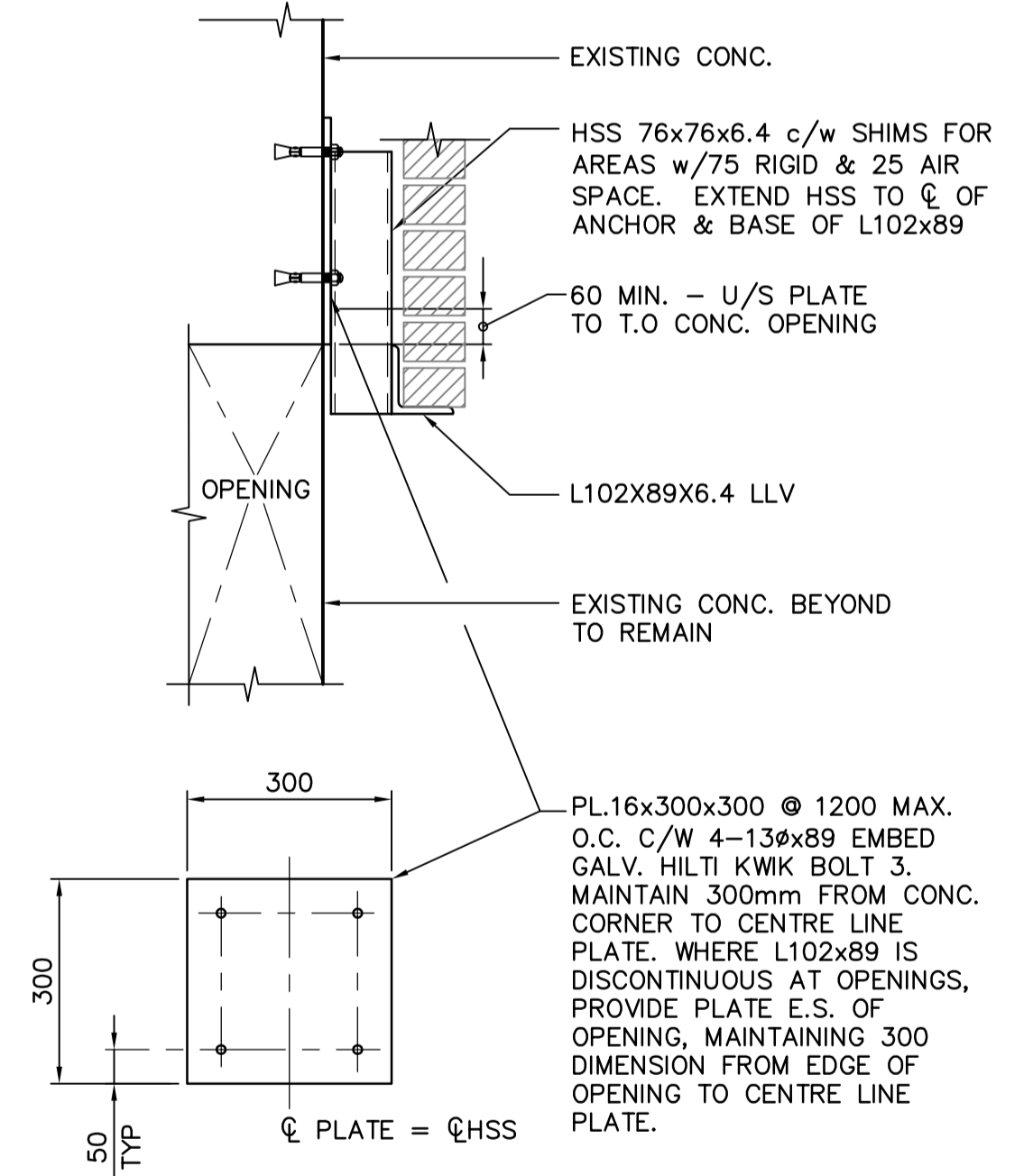
C TYPICAL EXTERIOR VENEER SUPPORT DETAILS AT CONCRETE STRUCTURES
 STD N.T.S.

NOTE:
 1. ALL STEEL TO BE GALVANIZED.



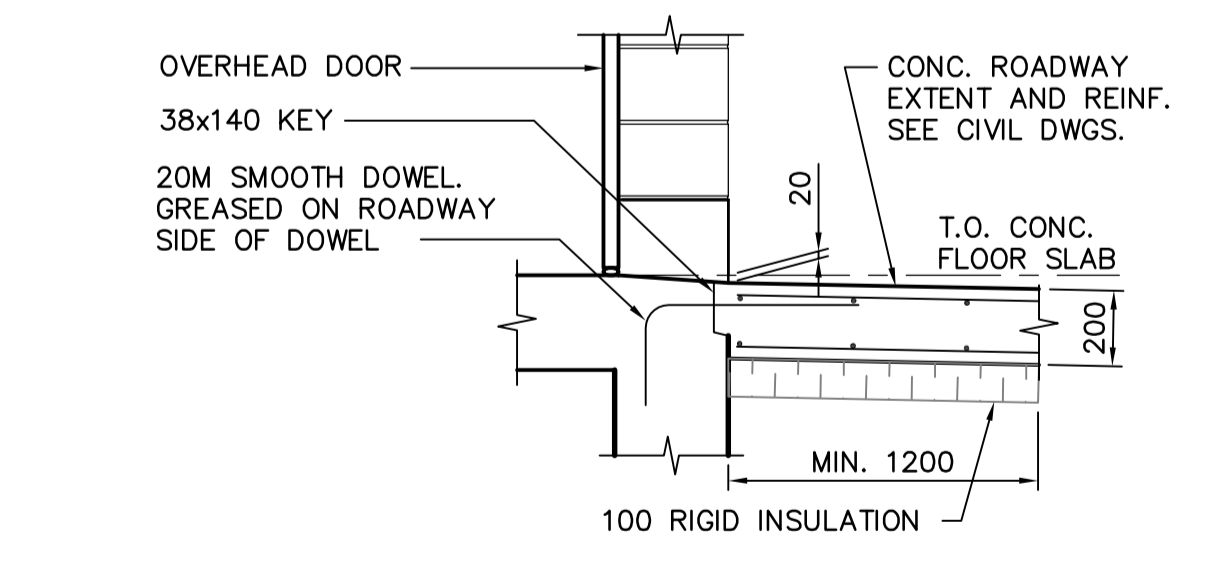
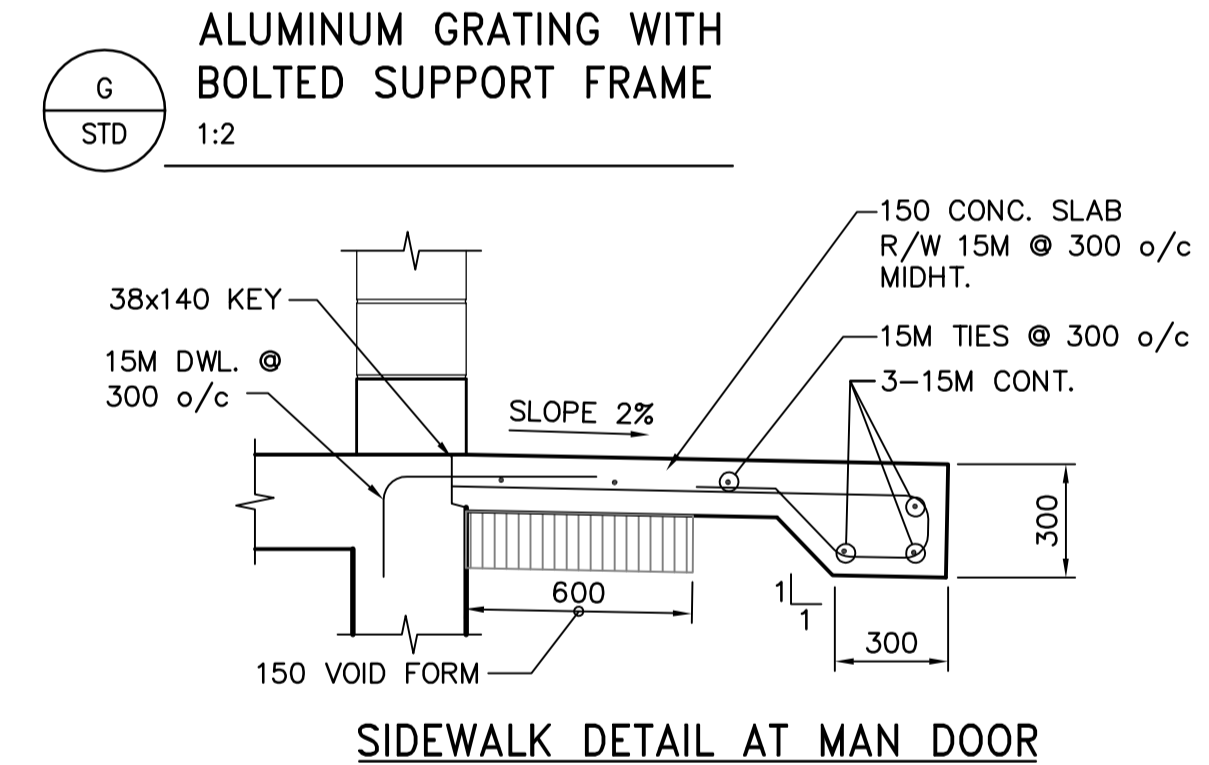
H TYPICAL EXTERIOR VENEER SUPPORT AT EXISTING CONC. STRUCTURE
 STD N.T.S.

NOTE:
 1. ALL STEEL TO BE GALVANIZED.



I TYPICAL EXTERIOR VENEER SUPPORT AT EXISTING CONCRETE STRUCTURE NORTH & WEST SIDES OF BIOREACTOR
 STD N.T.S.

NOTE:
 1. ALL STEEL TO BE GALVANIZED.



D TYPICAL EXTERIOR SIDEWALK AND APRON DETAILS
 STD 1:20

G SIDEWALK DETAIL AT MAN DOOR
 STD 1:20

APEGM
 Certificate of Authorization
 Earth Tech Canada Inc.
 No. 730 Expiry: April 30, 2006

NO.	REVISIONS	DATE	BY
00	ISSUED FOR TENDER	06/04/26	KK

EarthTech
 A Tyco International Ltd. Company

DESIGNED BY: ARA	CHECKED BY:
DRAWN BY: NDH	APPROVED BY: JEH
HOR. SCALE:	RELEASED FOR CONSTRUCTION BY: J. VEILLEUX
VERTICAL SCALE:	DATE: 2006/04/26

ENGINEER'S SEAL
 ORIGINAL SIGNED BY: J. BETKE
 2006/04/26
 CONSULTANT DRAWING NO. LS1.05

THE CITY OF WINNIPEG
 WATER AND WASTE DEPARTMENT
 ENGINEERING DIVISION

WEWPCC
 BIOLOGICAL NUTRIENT REMOVAL UPGRADE
 CONTRACT 3

STRUCTURAL
 AREA L - GENERAL AND SITEWORKS
 STANDARD DETAILS

CITY FILE NUMBER
 SHEET OF
 CITY DRAWING NUMBER