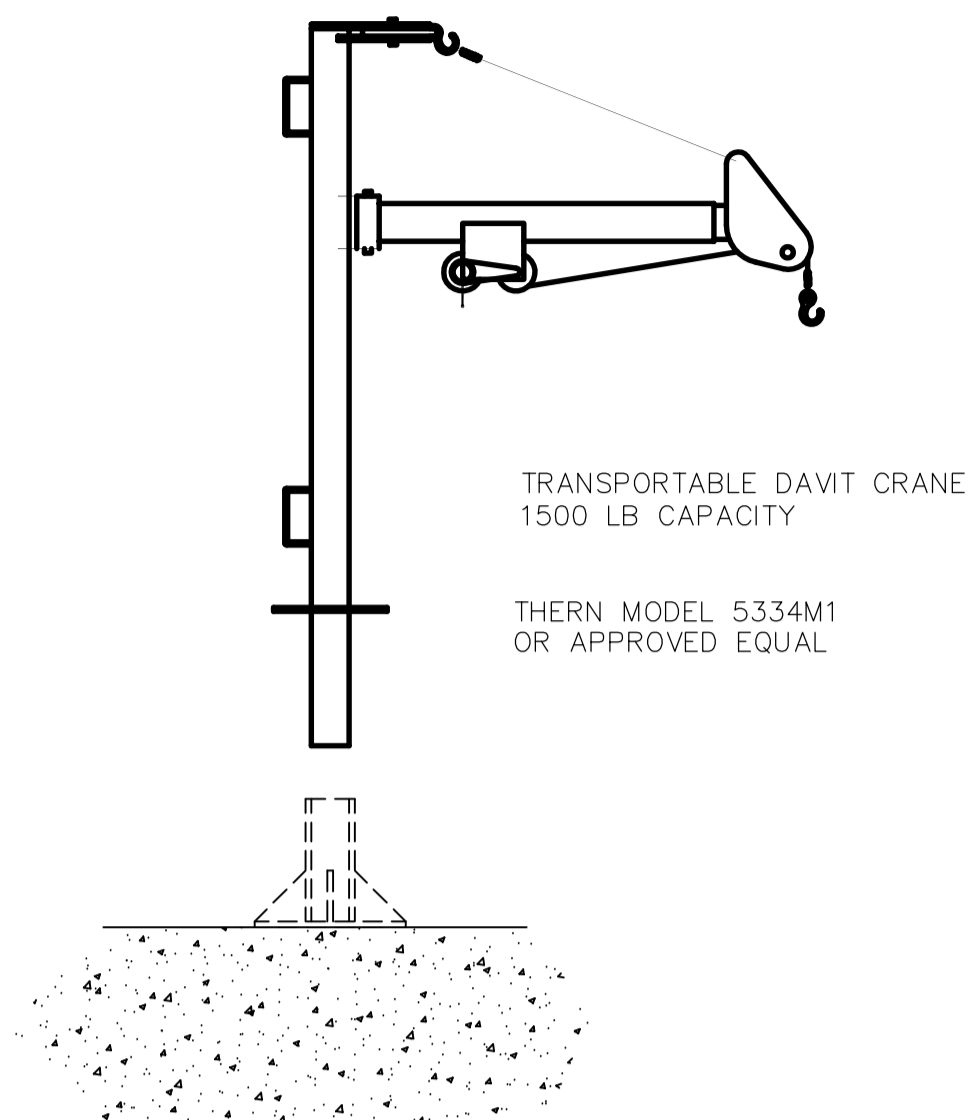
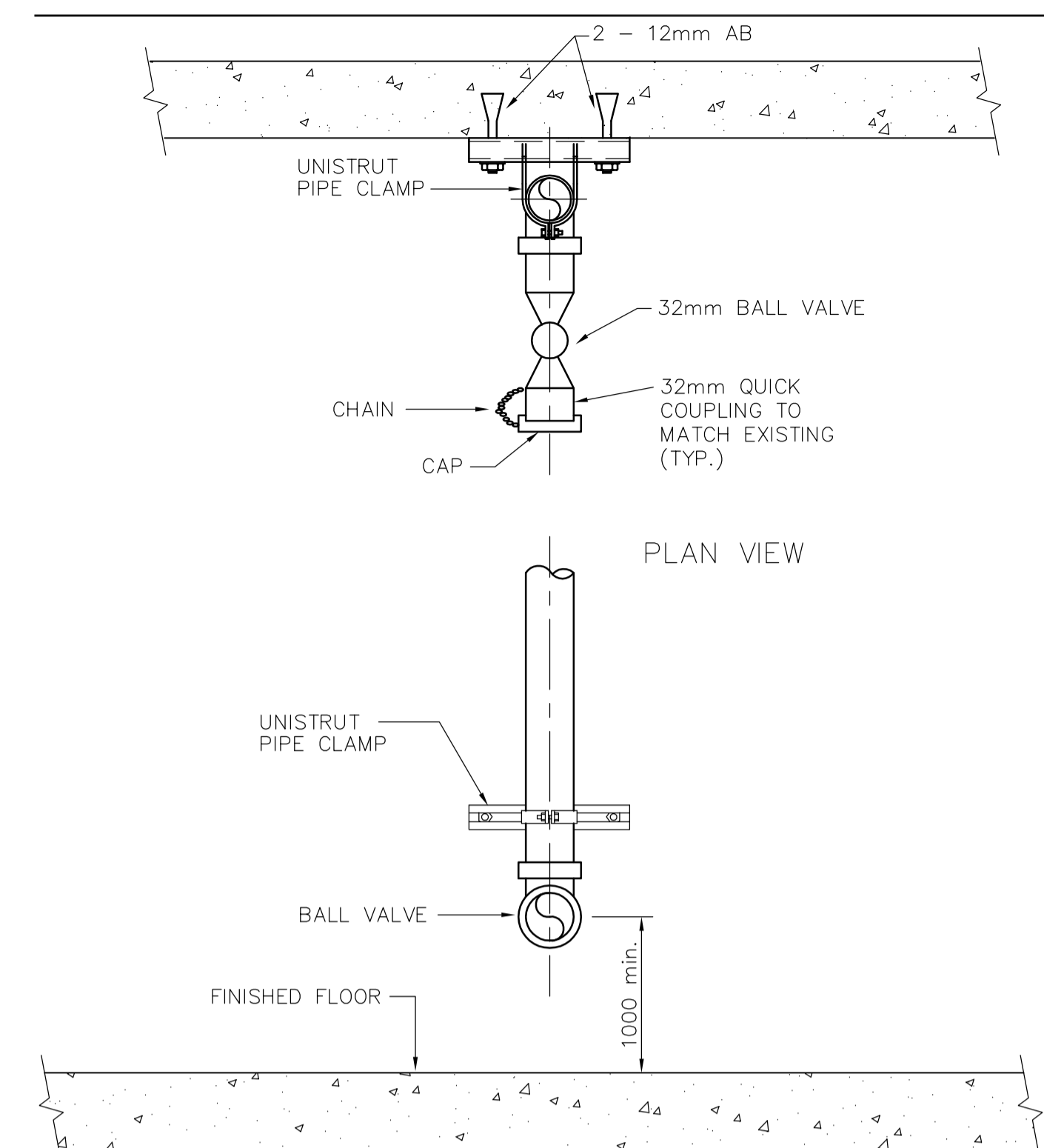


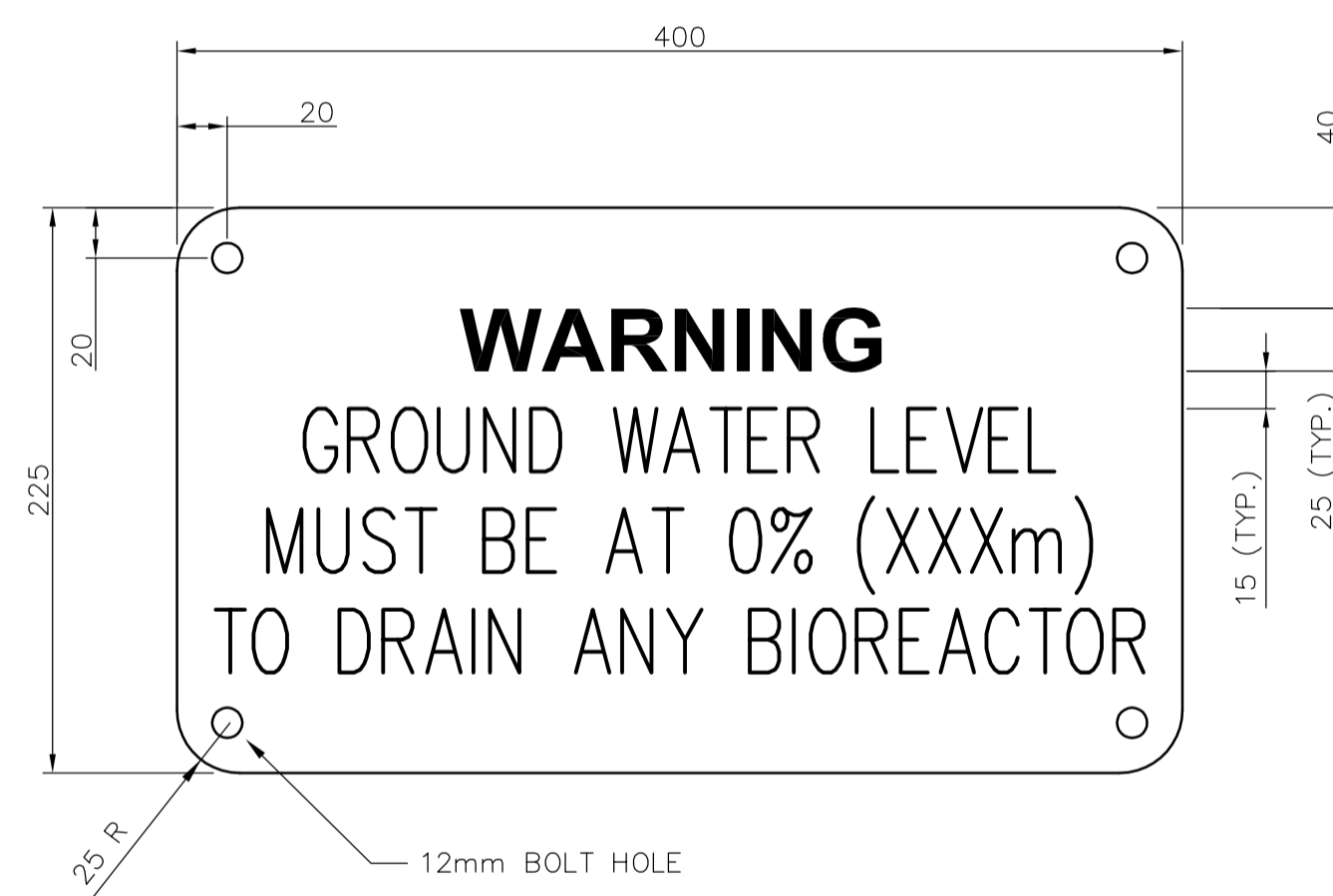
**STD 602** TYPE S HOSE RACK



**STD 611** TYPE E TUNNEL MOUNTED UTILITY STATION CONFIGURATION



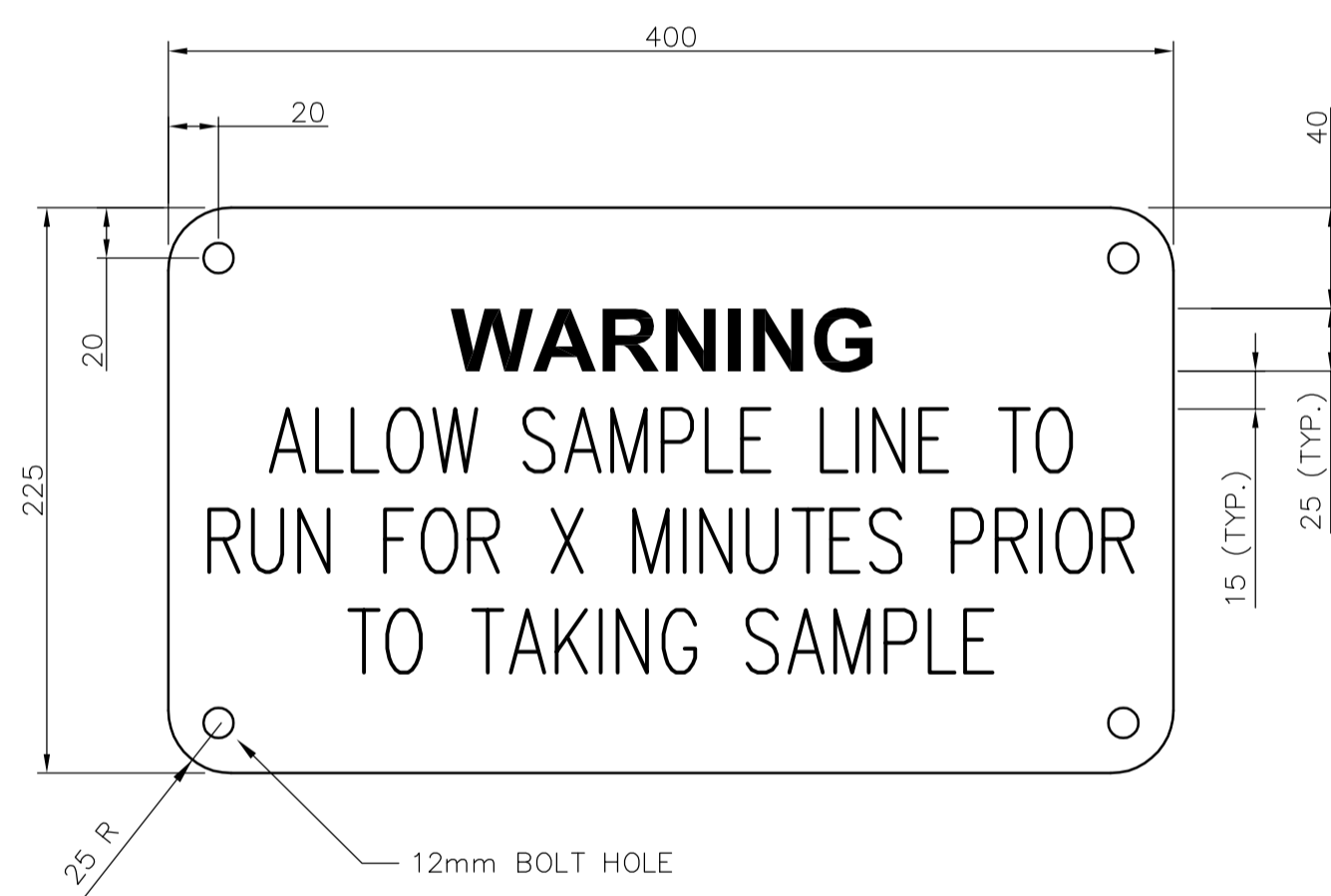
**STD 626** TYPE 3 - HOSE STATION UTILITY STATION CONFIGURATION



**NOTES:**

1. WARNING SIGN SHALL BE BAKED ENAMEL ON STEEL PLATE WITH WHITE LETTERING ON RED BACKGROUND.
2. ROUND ALL SHARP EDGES.
3. SIGN TO BE WALL MOUNTED.

**STD 804** WARNING SIGN DETAIL



**NOTES:**

1. WARNING SIGN SHALL BE BAKED ENAMEL ON STEEL PLATE WITH WHITE LETTERING ON RED BACKGROUND.
2. ROUND ALL SHARP EDGES.
3. SIGN TO BE WALL MOUNTED.

**STD 805** WARNING SIGN DETAIL



**NOTE:**

1. WARNING SIGN SHALL BE BAKED ENAMEL ON STEEL PLATE WITH WHITE LETTERING ON RED BACKGROUND.
2. ROUND ALL SHARP EDGES.

**STD 805** WARNING SIGN DETAIL



<p><b>EarthTech</b> A Tyco International Ltd. Company</p>		<p>ENGINEER'S SEAL</p> <p>ORIGINAL SIGNED BY J.E. HUTCHISON</p> <p>2006/04/26</p>		<p><b>THE CITY OF WINNIPEG</b> WATER AND WASTE DEPARTMENT ENGINEERING DIVISION</p>	
DESIGNED BY: CL	CHECKED BY: KM	<p>CONSULTANT DRAWING NO. LP2.05</p>		<p>WEWPCB BIOLOGICAL NUTRIENT REMOVAL UPGRADE CONTRACT 3</p>	
DRAWN BY: SRP	APPROVED BY: JEH			<p>CITY FILE NUMBER</p>	
<p>HOR. SCALE: NONE VERTICAL SCALE: NONE</p>		<p>RELEASED FOR CONSTRUCTION BY: J. VEILLEUX</p>		<p>SHEET OF</p>	
00 ISSUED FOR TENDER	06/04/26 SRP	2005/10/06	2006/04/26	<p>CITY DRAWING NUMBER</p>	
NO. REVISIONS	DATE	DATE	DATE	<p>PROCESS AREA L - GENERAL &amp; SITWORKS STANDARD DETAILS</p>	