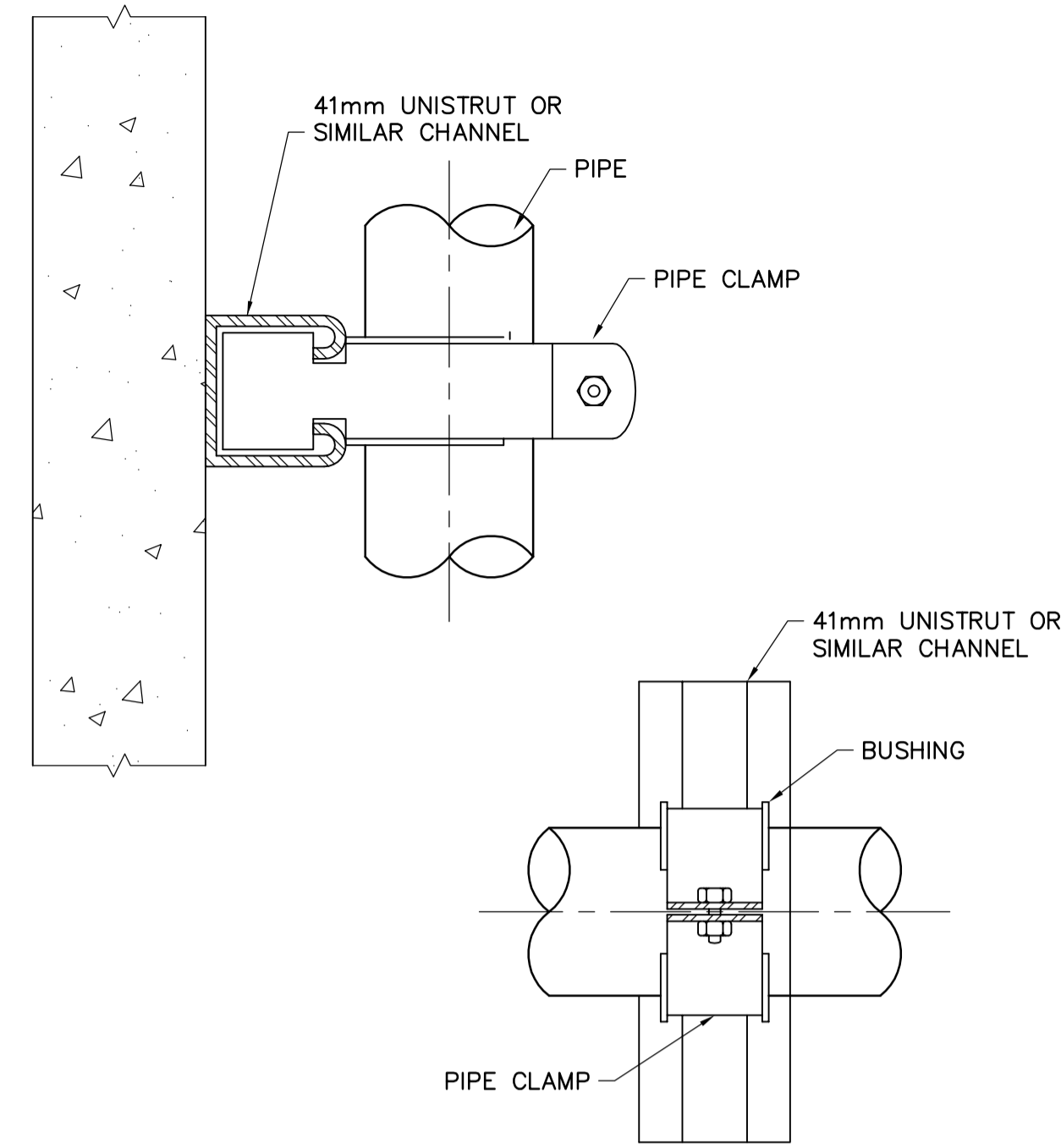


IN EXISTING CONCRETE

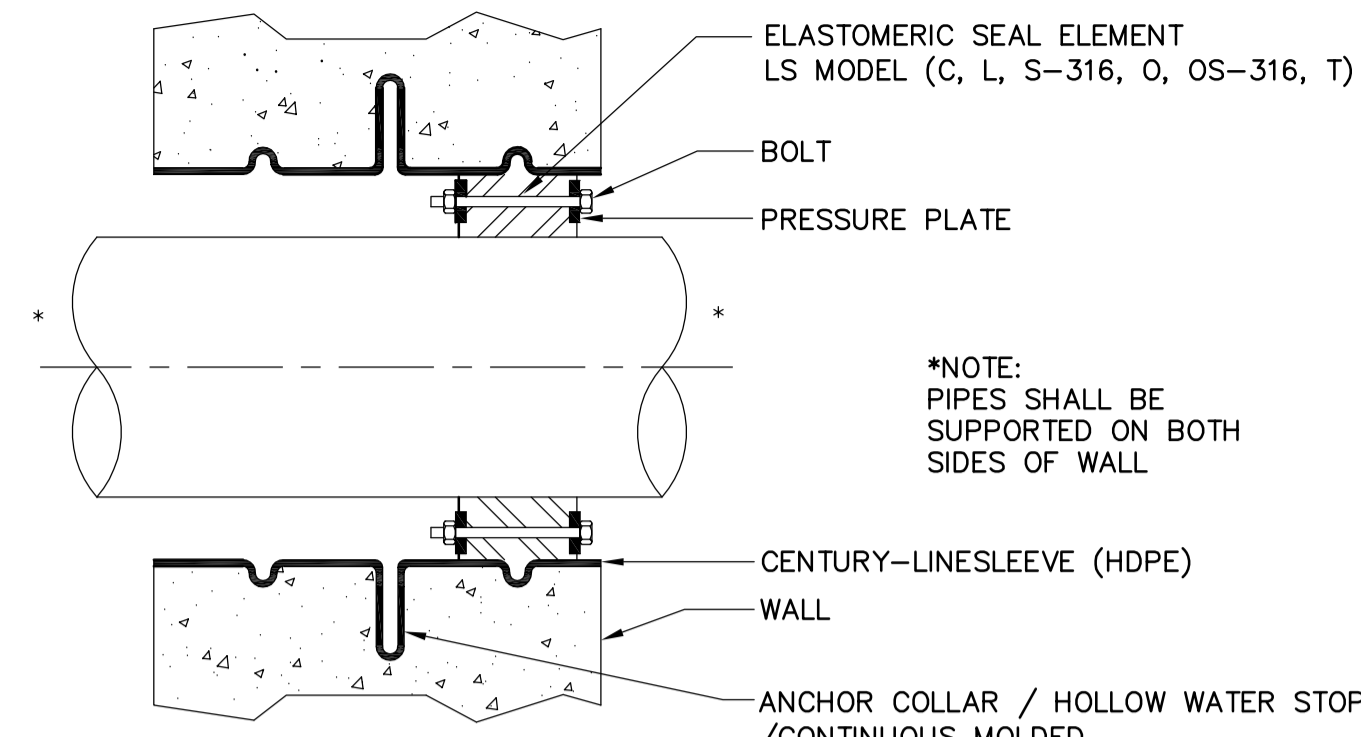
STD
220

PUMP ANCHOR BOLT



STD
223

WALL MOUNTED PIPE SUPPORT



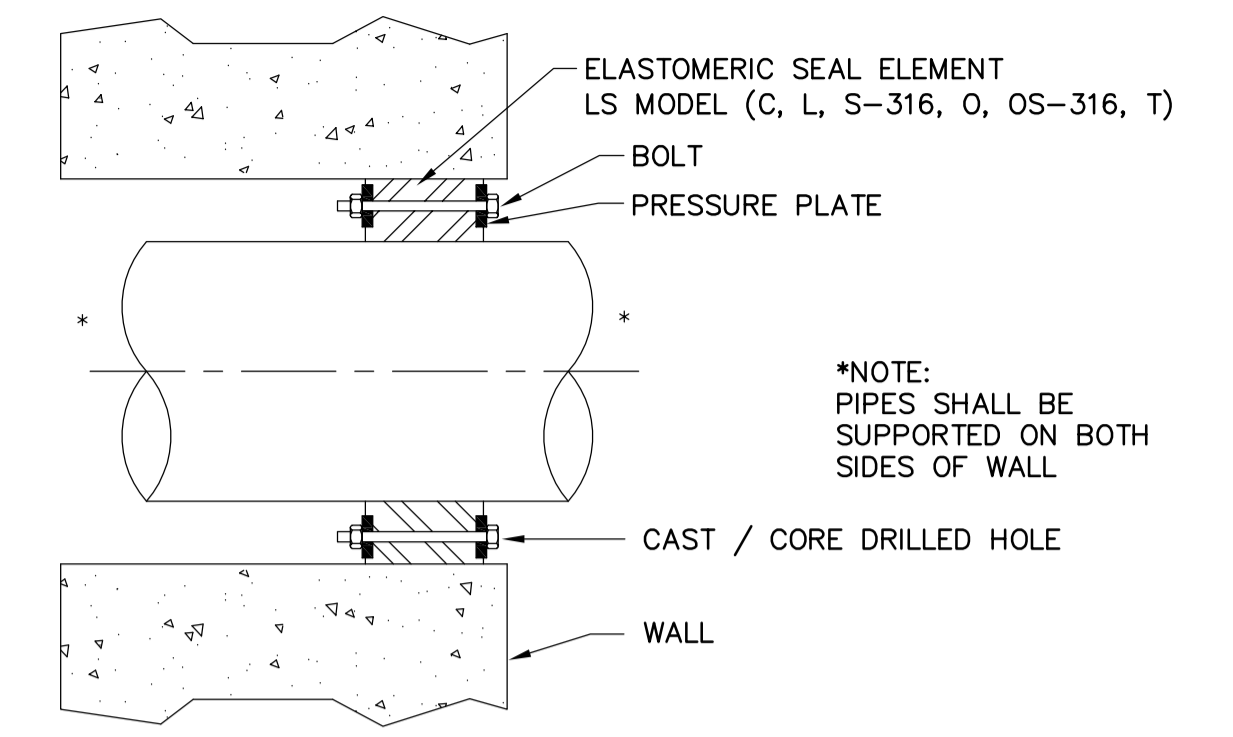
- APPLICATION NOTES:**
 1. CONCRETE WALL
 2. PIPE MATERIAL: STEEL, STAINLESS STEEL, DUCTILE IRON, PVC OR FRP PIPE; NON-NSULATED.
 3. CONDITION: a) DRY TO DRY
 b) WET TO DRY
 c) HORIZONTAL OR VERTICAL
 b) INTERIOR TO UNDERGROUND

LS Model	Seal Element	Bolts/Nuts	Pressure Plate
C	EPDM (Black)	Zinc Dichromate/Organic Coated Carbon Steel Bolt	Reinforced Nylon Polymer
L	EPDM (Blue)	Zinc Dichromate/Organic Coated Carbon Steel Bolt	Reinforced Nylon Polymer
O	Nitrile	Zinc Dichromate/Organic Coated Carbon Steel Bolt	Reinforced Nylon Polymer
T	Silicone	Zinc Dichromate/Organic Coated Carbon Steel Bolt	Reinforced Steel Zinc Dichromate
(C,L,O)+S-316 (see model options)		316 Stainless Steel	Reinforced Nylon Polymer

Sleeve Model	Description	Material
CS	Century-Line Sleeve	HDPE
WS	Steel Wall Sleeve	Steel

STD
305

LINK-SEAL MODULAR SEAL WALL PENETRATION



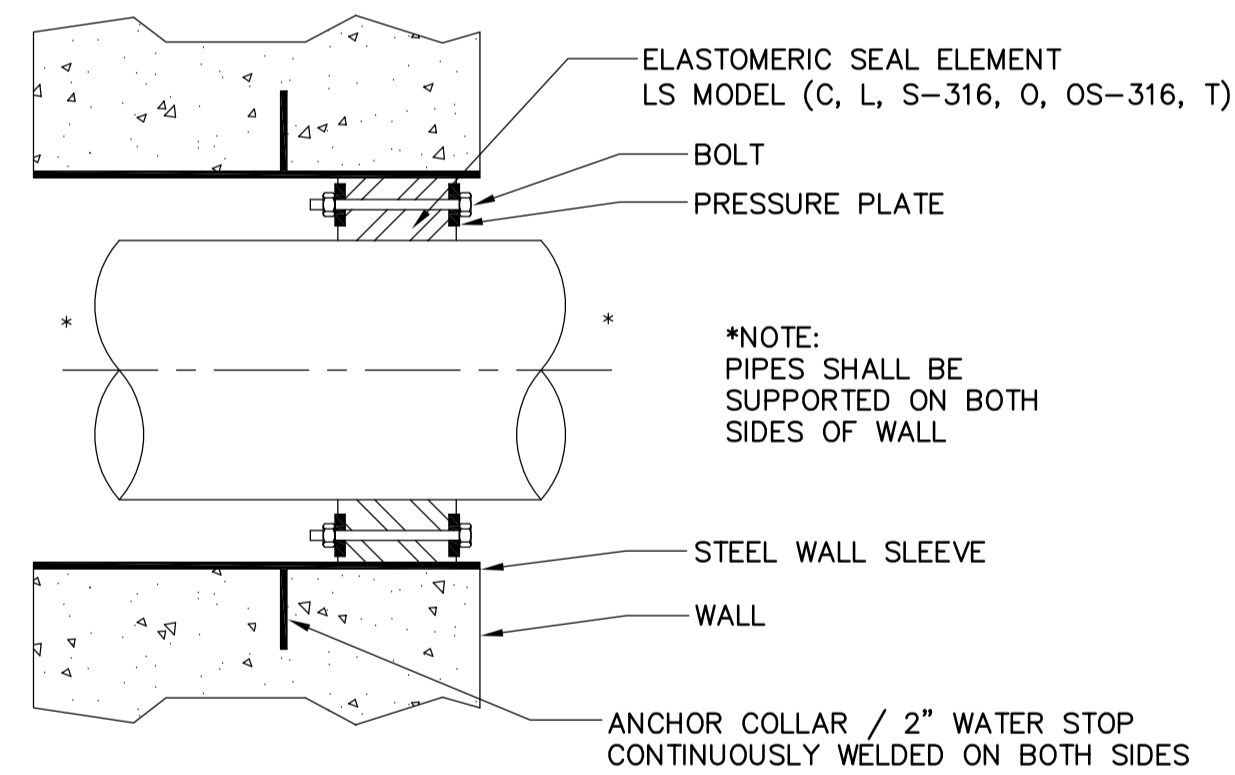
- APPLICATION NOTES:**
 1. CONCRETE WALL
 2. PIPE MATERIAL: STEEL, STAINLESS STEEL, DUCTILE IRON, PVC OR FRP PIPE; NON-NSULATED.
 3. CONDITION: a) DRY TO DRY
 b) WET TO DRY
 c) HORIZONTAL OR VERTICAL
 b) INTERIOR TO UNDERGROUND

LS Model	Seal Element	Bolts/Nuts	Pressure Plate
C	EPDM (Black)	Zinc Dichromate/Organic Coated Carbon Steel Bolt	Reinforced Nylon Polymer
L	EPDM (Blue)	Zinc Dichromate/Organic Coated Carbon Steel Bolt	Reinforced Nylon Polymer
O	Nitrile	Zinc Dichromate/Organic Coated Carbon Steel Bolt	Reinforced Nylon Polymer
T	Silicone	Zinc Dichromate/Organic Coated Carbon Steel Bolt	Reinforced Steel Zinc Dichromate
(C,L,O)+S-316 (see model options)		316 Stainless Steel	Reinforced Nylon Polymer

Sleeve Model	Description	Material
CS	Century-Line Sleeve	HDPE
WS	Steel Wall Sleeve	Steel

STD
306

LINK-SEAL MODULAR SEAL CORED WALL PENETRATION



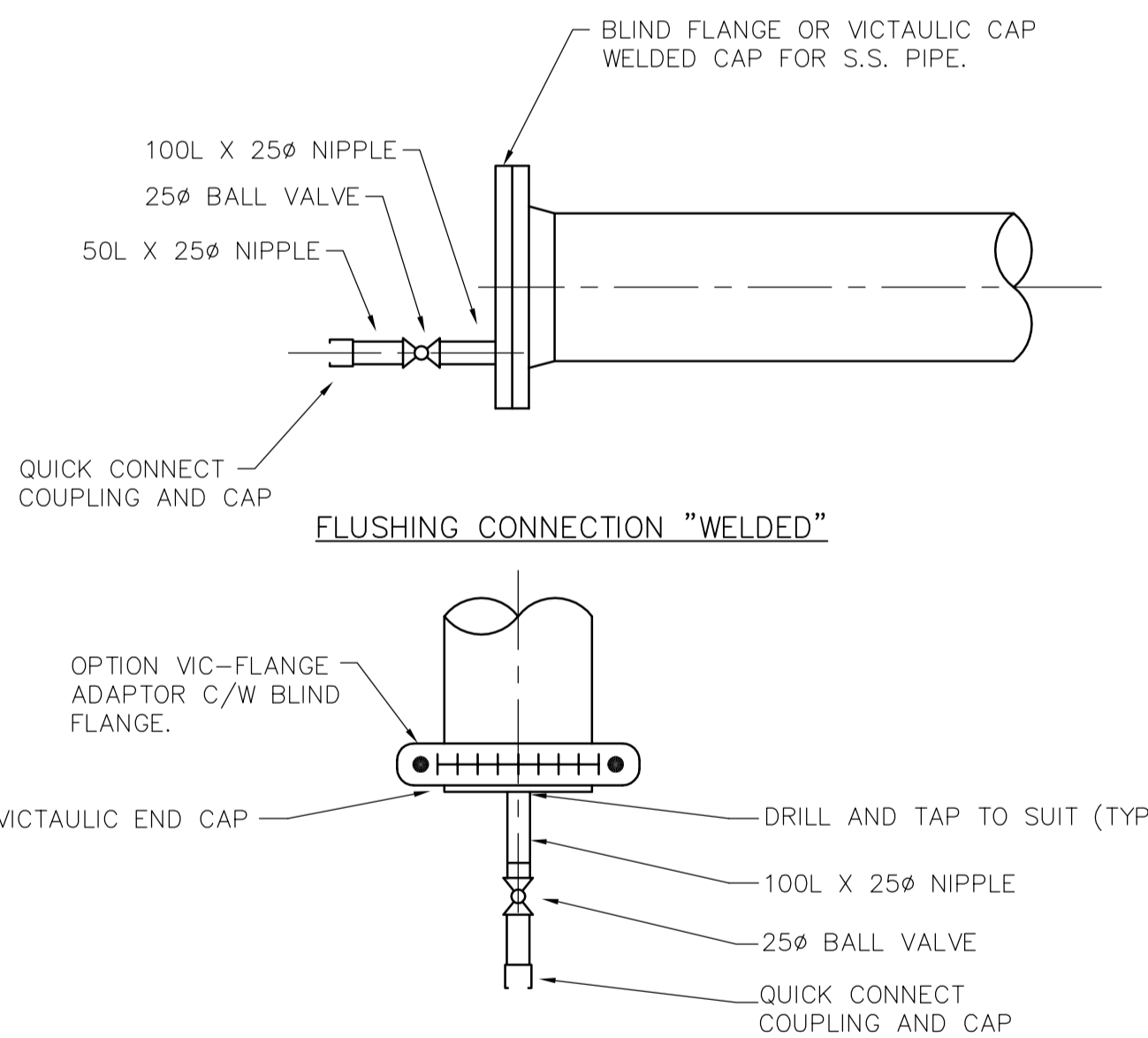
- APPLICATION NOTES:**
 1. CONCRETE WALL
 2. PIPE MATERIAL: STEEL, STAINLESS STEEL, DUCTILE IRON, PVC OR FRP PIPE; NON-NSULATED.
 3. CONDITION: a) DRY TO DRY
 b) WET TO DRY
 c) HORIZONTAL OR VERTICAL
 b) INTERIOR TO UNDERGROUND

LS Model	Seal Element	Bolts/Nuts	Pressure Plate
C	EPDM (Black)	Zinc Dichromate/Organic Coated Carbon Steel Bolt	Reinforced Nylon Polymer
L	EPDM (Blue)	Zinc Dichromate/Organic Coated Carbon Steel Bolt	Reinforced Nylon Polymer
O	Nitrile	Zinc Dichromate/Organic Coated Carbon Steel Bolt	Reinforced Nylon Polymer
T	Silicone	Zinc Dichromate/Organic Coated Carbon Steel Bolt	Reinforced Steel Zinc Dichromate
(C,L,O)+S-316 (see model options)		316 Stainless Steel	Reinforced Nylon Polymer

Sleeve Model	Description	Material
CS	Century-Line Sleeve	HDPE
WS	Steel Wall Sleeve	Steel

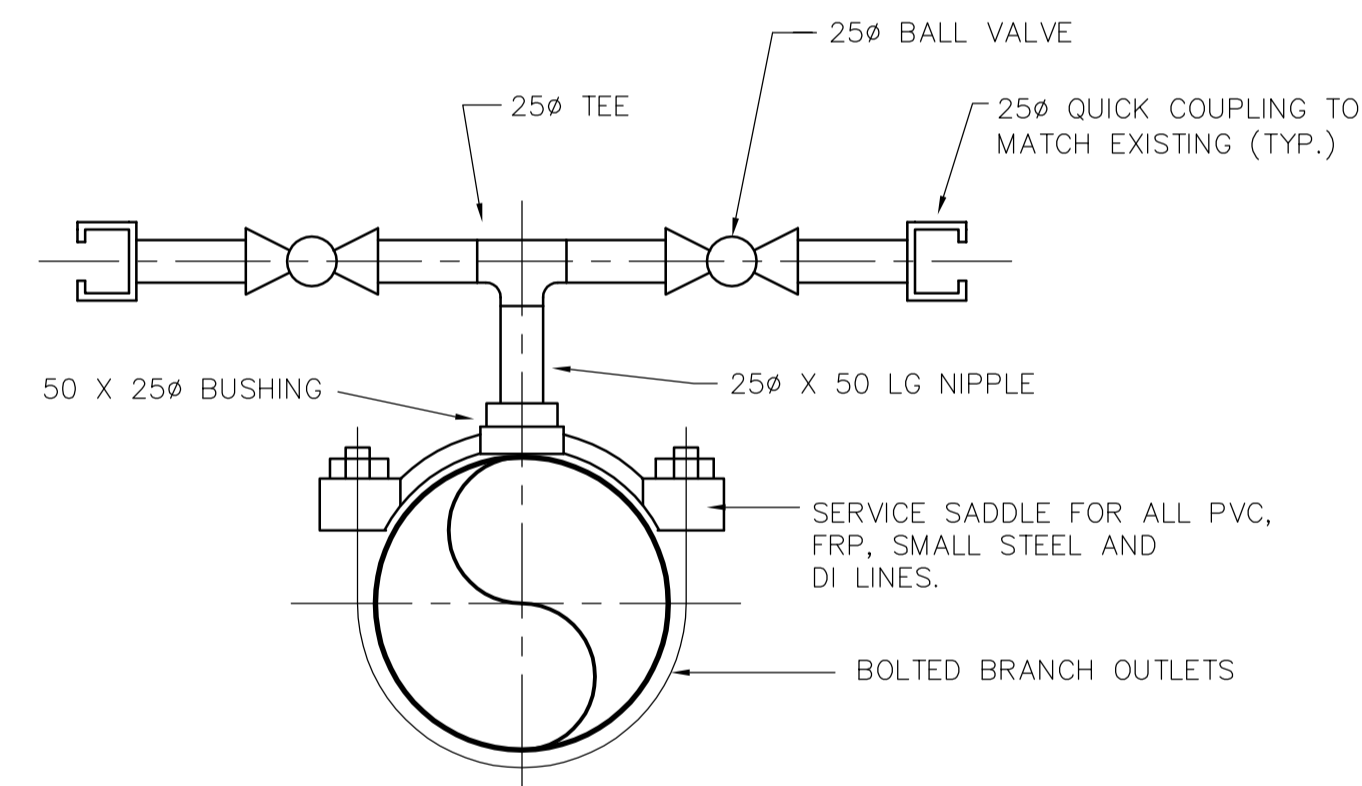
STD
305

LINK-SEAL MODULAR SEAL WALL SLEEVE PENETRATION



STD
501

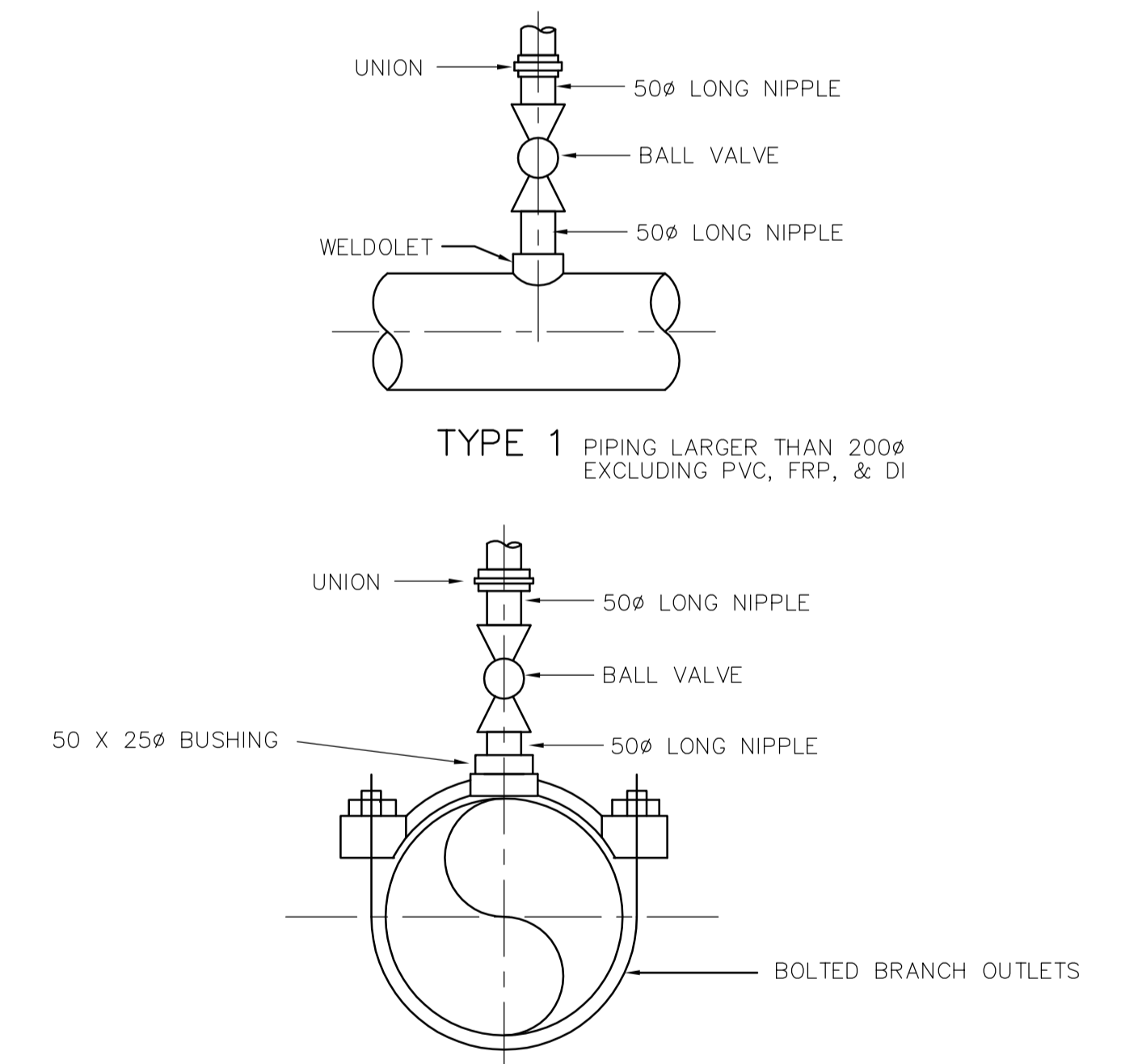
TYPE 1 FLUSHING CONNECTIONS



- NOTE:**
 1. FOR STEEL LINES GREATER THAN 200#, USE 50 SOCKOLET. LINE PIPE AFTER INSTALLATION.
 2. FOR DI LINES GREATER THAN 200#, THREAD PIPE FOR A 50# CONNECTION.

STD
502

TYPE 2 FLUSHING CONNECTIONS



STD
503

TYPE 1 AND 2 TAPPINGS



B.M. ELEV.	<p>A Tyco International Ltd. Company</p>	ENGINEER'S SEAL	<p>THE CITY OF WINNIPEG WATER AND WASTE DEPARTMENT ENGINEERING DIVISION</p>				
		DESIGNED BY: CL		CHECKED BY: KM	ORIGINAL SIGNED BY: J.E. HUTCHISON		
		DRAWN BY: P.JY	APPROVED BY: JEH	2006/04/26	<p>WEWPC BIOLOGICAL NUTRIENT REMOVAL UPGRADE CONTRACT 3</p>	CITY FILE NUMBER	
		HOR. SCALE: NONE	RELEASED FOR CONSTRUCTION BY: J. VEILLEUX	CONSULTANT DRAWING NO. LP2.03	<p>PROCESS AREA L - GENERAL & SITEWORKS STANDARD DETAILS</p>	SHEET OF	
00	ISSUED FOR TENDER	06/04/26	SRP			CITY DRAWING NUMBER	
NO.	REVISIONS	DATE	BY	DATE	2005/10/06	DATE	2006/04/26