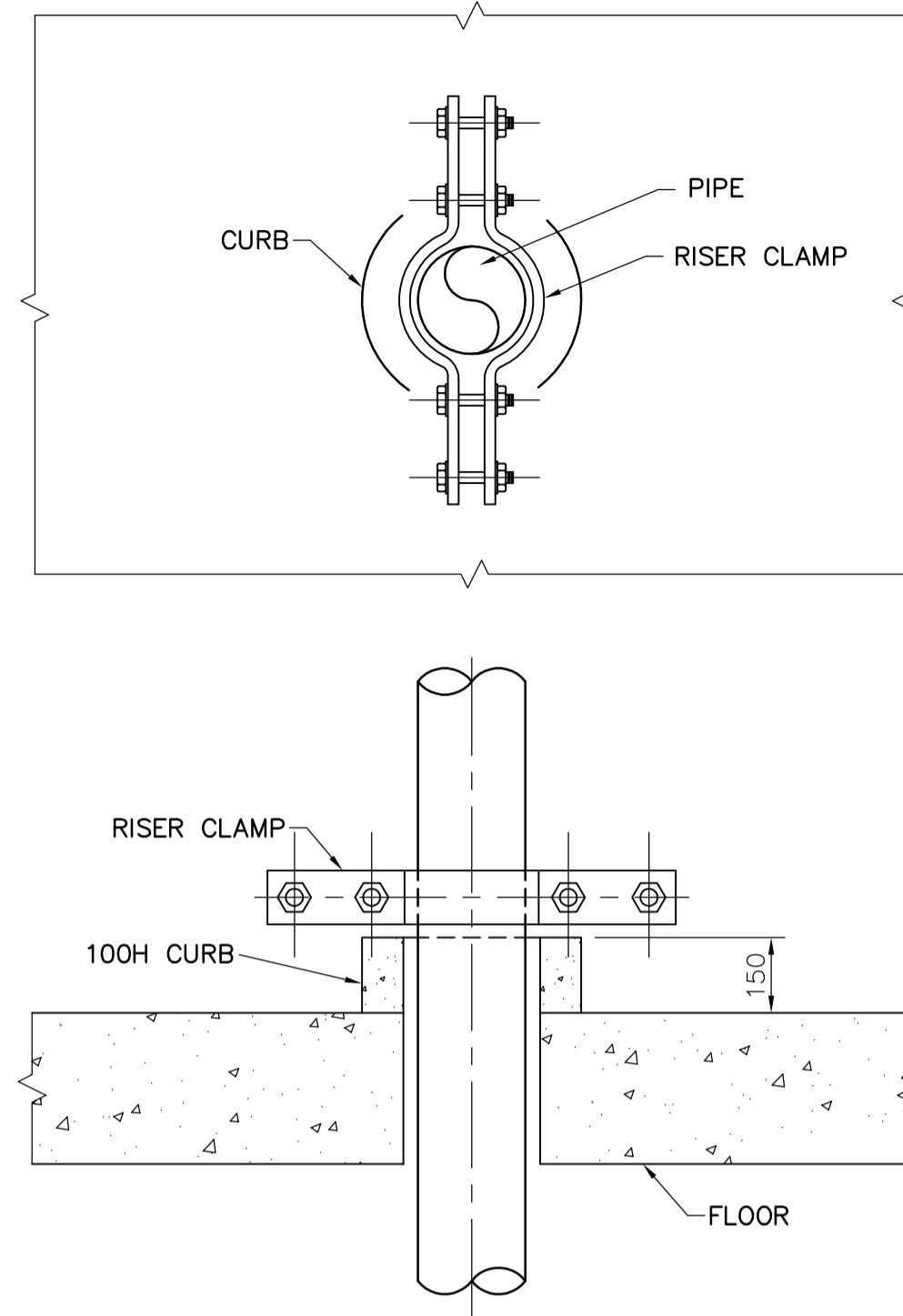
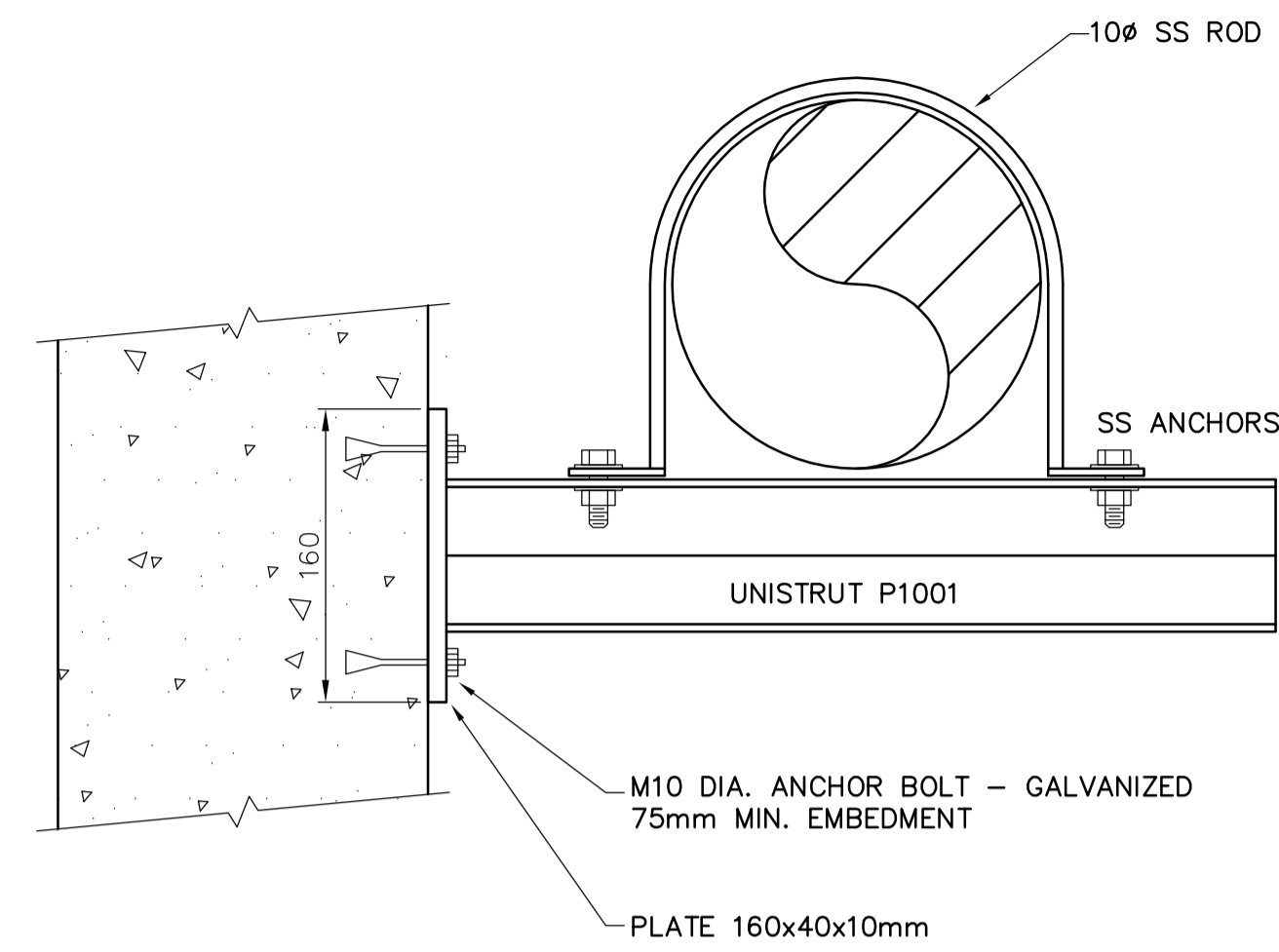


PIPE SIZE (mm)	SUPPORT PIPE (mm, schedule)	MAXIMUM SUPPORT PIPE LENGTH (mm)
350	200 SCH 40	1830
400	200 SCH 40	1830
500	250 SCH 20	1830
600	300 SCH 20	1830
750	350 SCH 20	1830
900	400 SCH 20	1830
1050	400 SCH 20	1830

STD 110 SUPPORT FOR BASE ELBOW (MITERED)

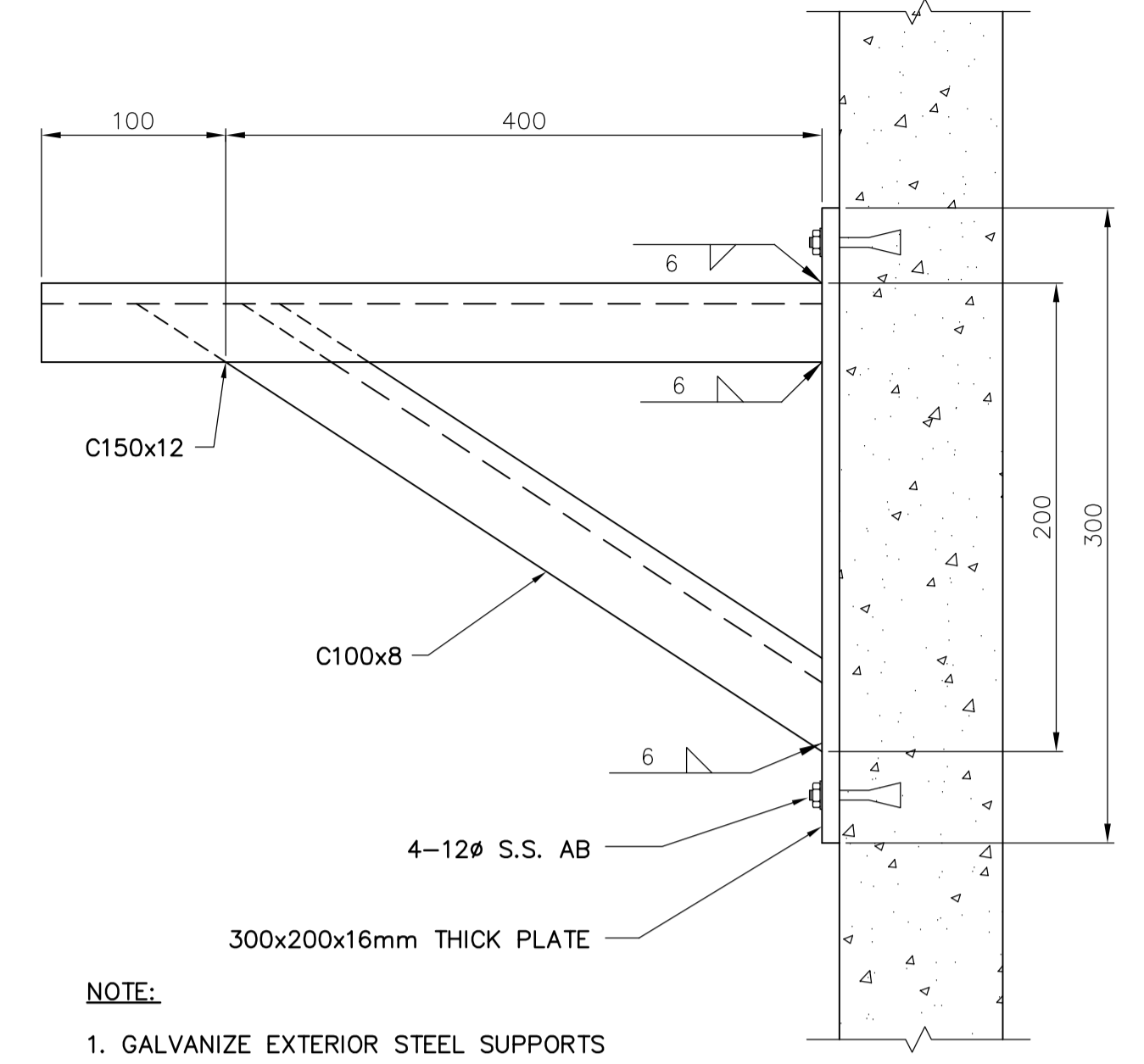


STD 112 VERTICAL FLOOR PENETRATION

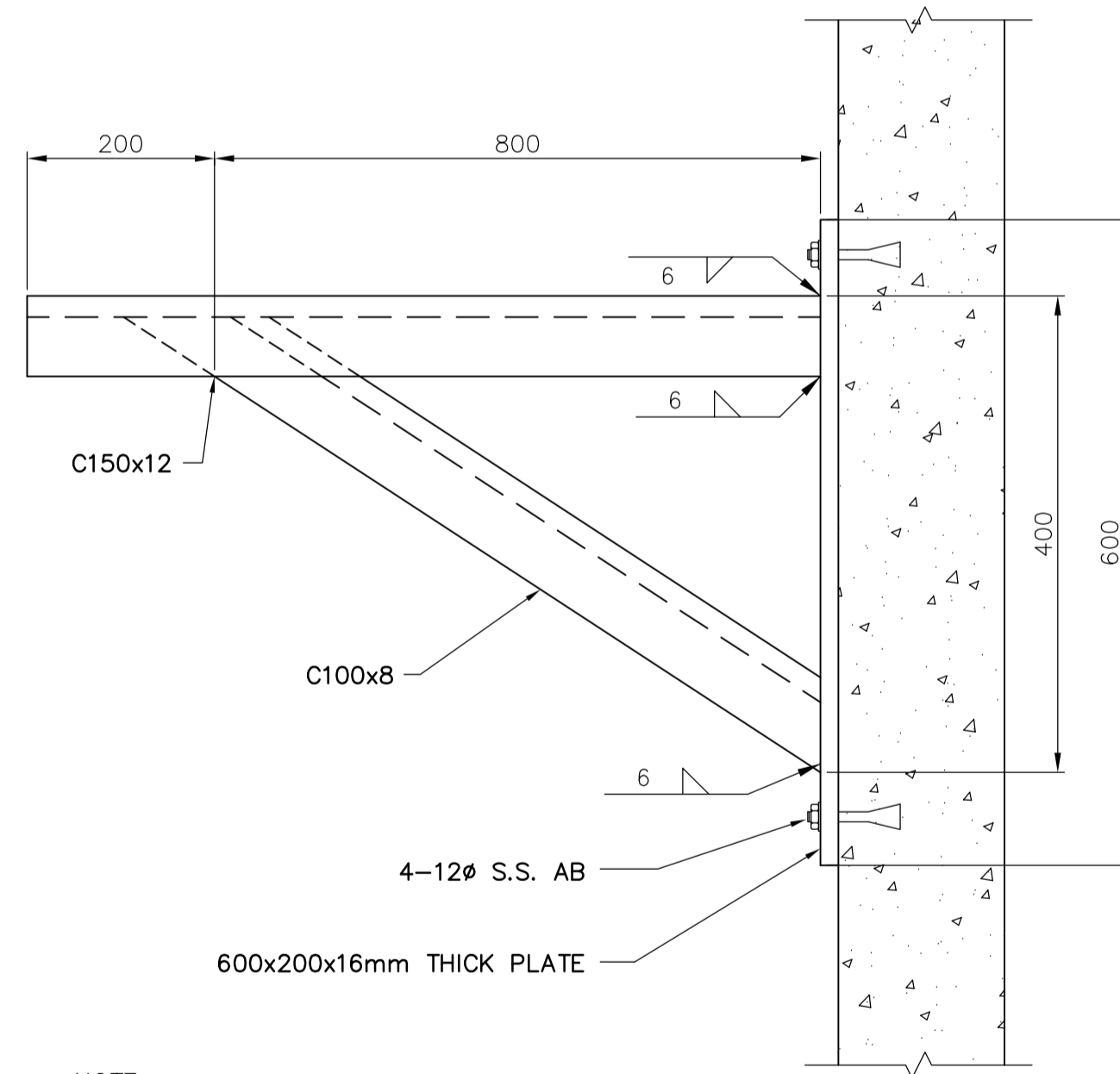


MAXIMUM LOAD OF BEAM LOADED @ CENTER (kg)	LENGTH OF SUPPORT L (mm)
440	760
740	450
1120	300

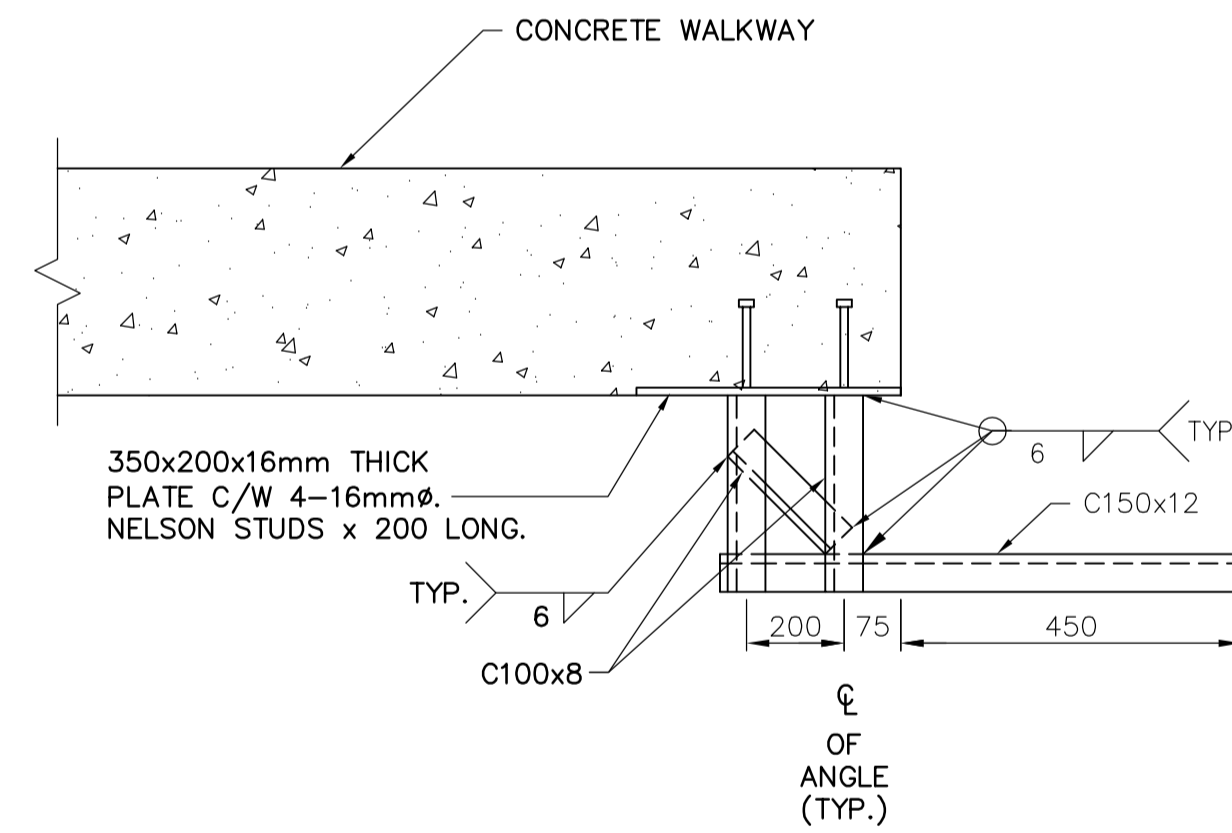
STD 201 TYPE 1 WALL MOUNTED PIPE SUPPORT



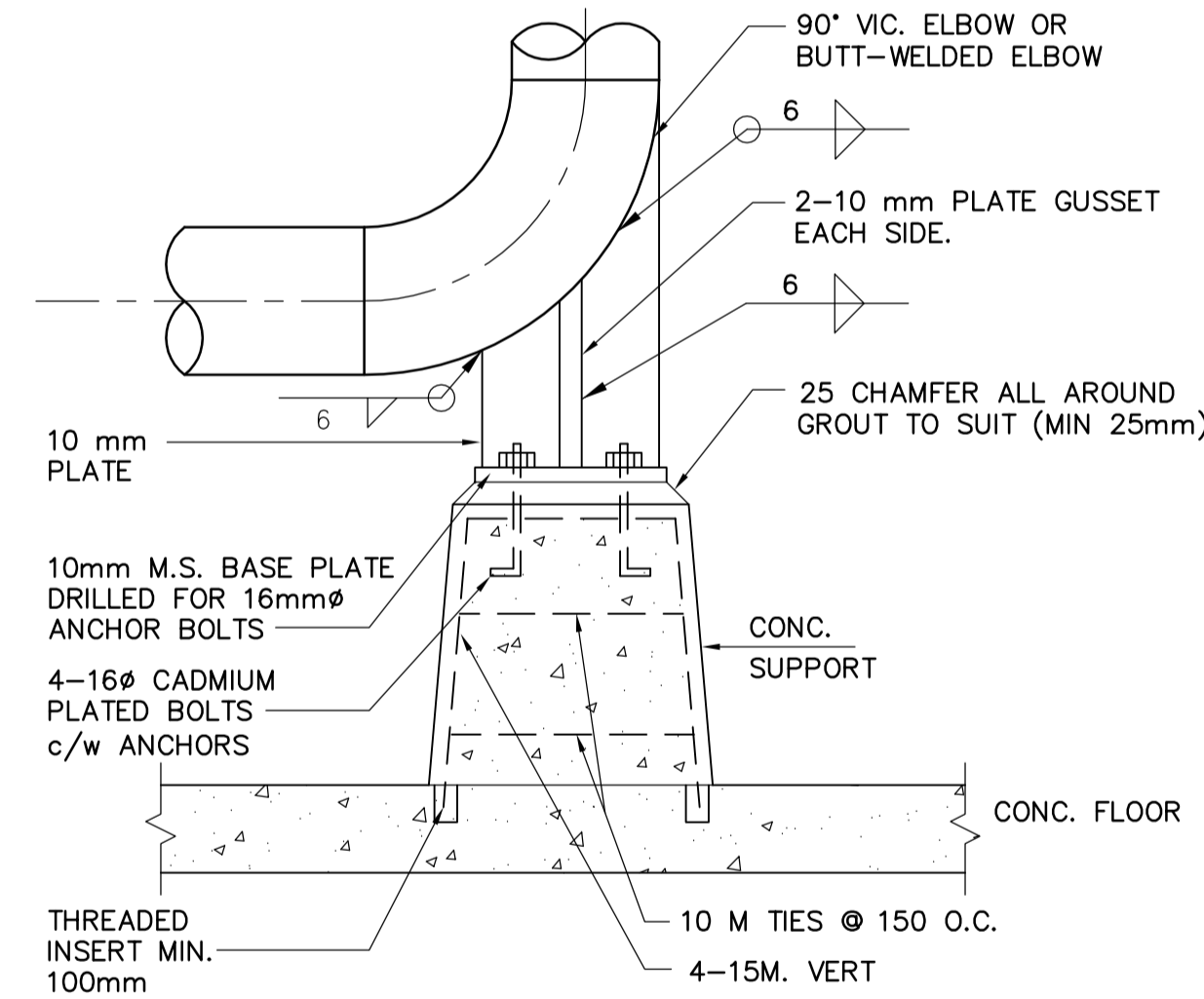
STD 202 TYPE 2 WALL MOUNTED PIPE SUPPORT
NOTE: 1. GALVANIZE EXTERIOR STEEL SUPPORTS



STD 203 TYPE 3 WALL MOUNTED PIPE SUPPORT
NOTE: 1. GALVANIZE EXTERIOR STEEL SUPPORTS.

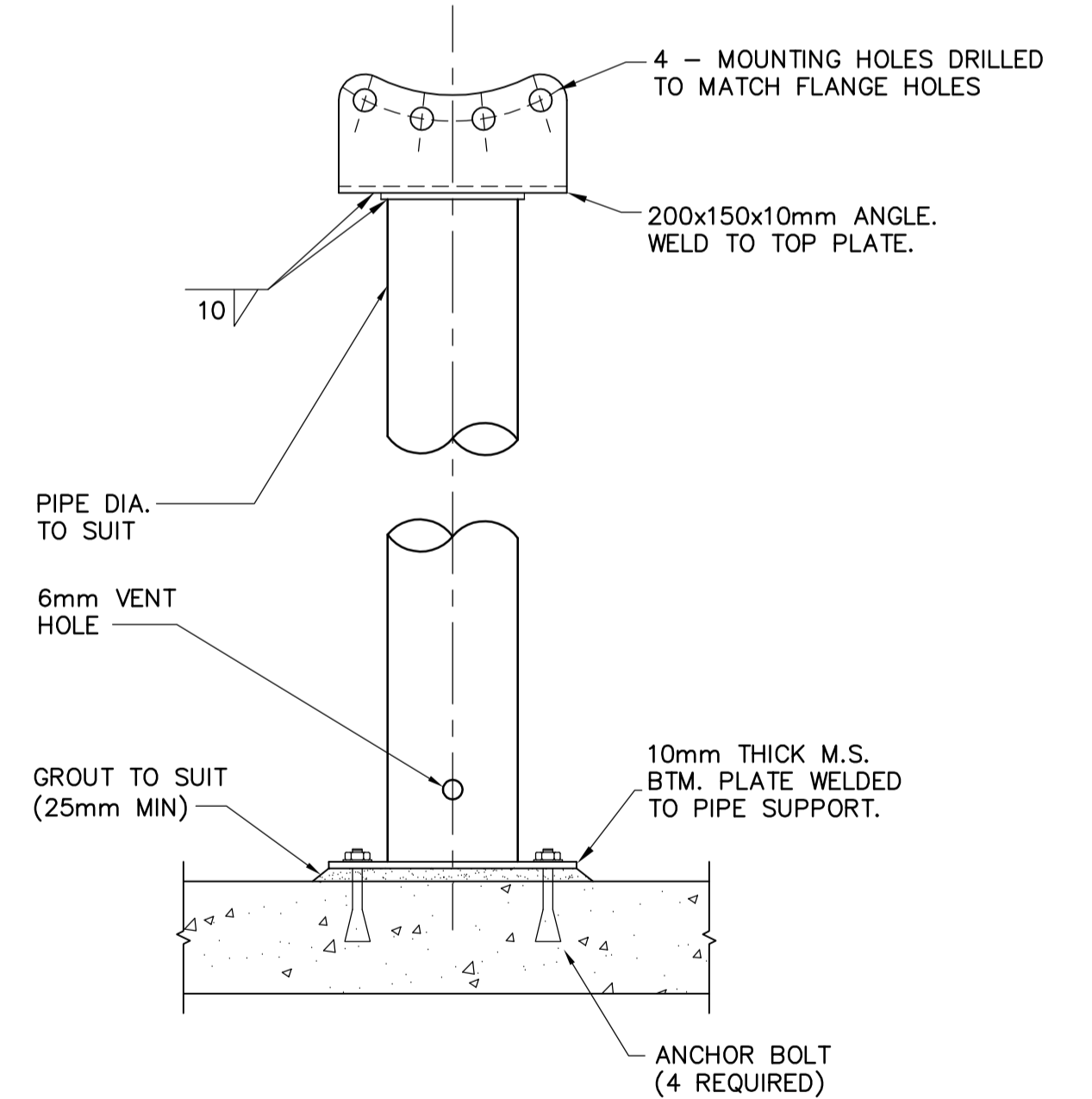


STD 204 HANGING PIPE SUPPORT
NOTE: 1. CAPACITY = 8kN
2. GALVANIZE EXTERIOR STEEL SUPPORTS.



PIPE SIZE (mm)	PLATE SIZE (mm)
100	100 X 100 X 6
150	125 X 125 X 6
200	150 X 150 X 6
250	150 X 150 X 6
300	200 X 200 X 10
350	250 X 250 X 10
400	250 X 250 X 10
500	300 X 300 X 10
600	350 X 350 X 10

STD 205 TYPE 1 BASE ELBOW SUPPORT FOR STEEL PIPE



STD 207 FLANGED PIPE SUPPORT



B.M. ELEV.	 A Tyco International Ltd. Company		ENGINEER'S SEAL	 THE CITY OF WINNIPEG WATER AND WASTE DEPARTMENT ENGINEERING DIVISION
			ORIGINAL SIGNED BY J.E. HUTCHISON 2006/04/26	
DESIGNED BY CL	CHECKED BY KM	WEWPCC BIOLOGICAL NUTRIENT REMOVAL UPGRADE CONTRACT 3		SHEET OF
DRAWN BY PJY	APPROVED BY JEH	PROCESS AREA L - GENERAL & SITEWORKS STANDARD DETAILS		CITY DRAWING NUMBER
HOR. SCALE: NONE VERT. SCALE: NONE	RELEASED FOR CONSTRUCTION BY: J. VEILLEUX	CONSULTANT DRAWING NO. LP2.01		
00 ISSUED FOR TENDER NO. REVISIONS	06/04/26 SRP DATE BY	2005/10/06 DATE		