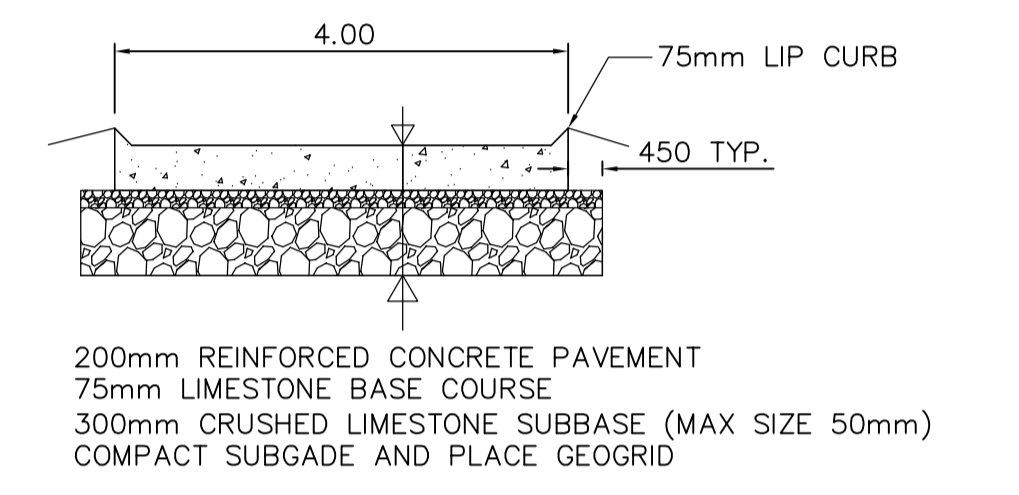
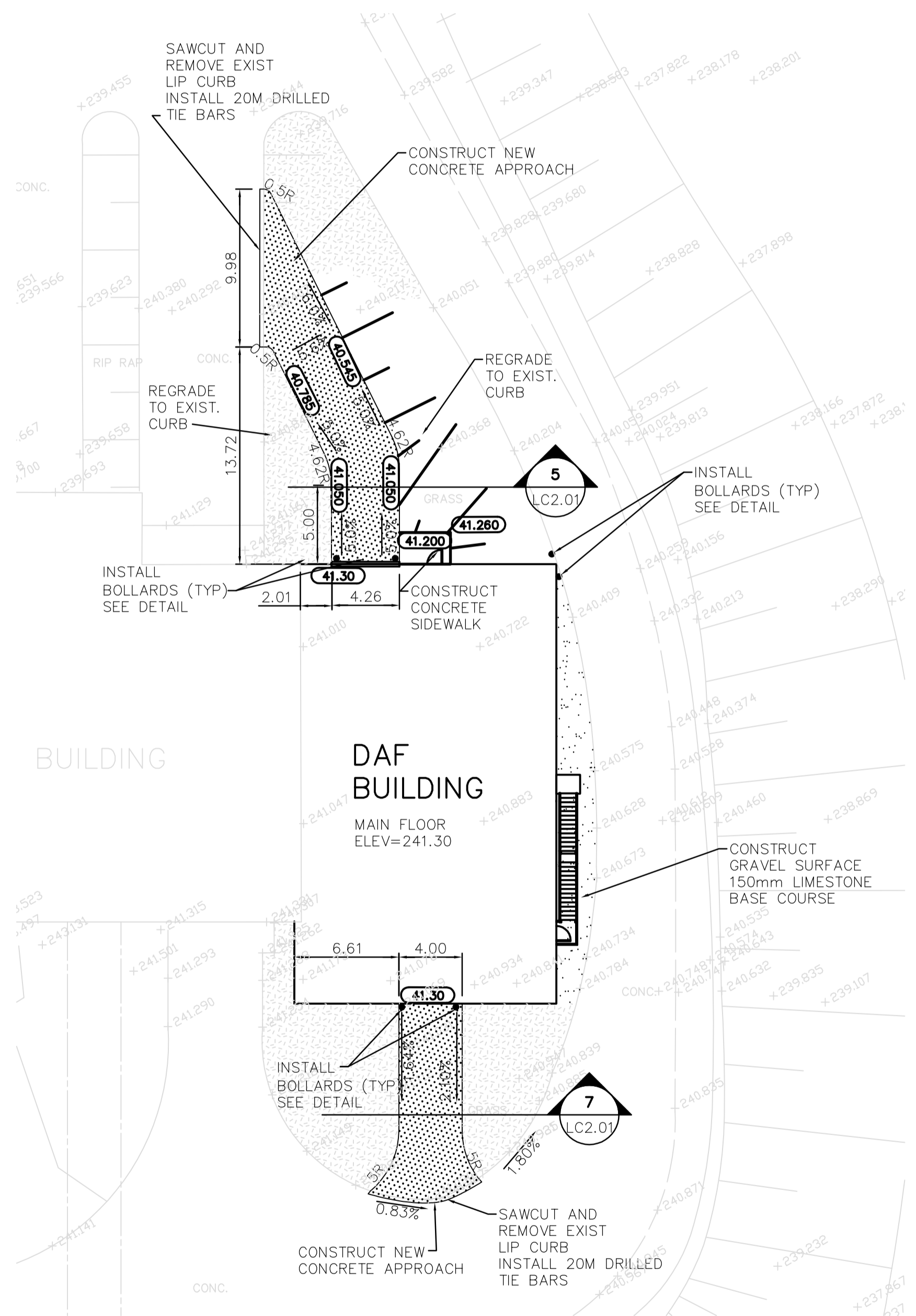
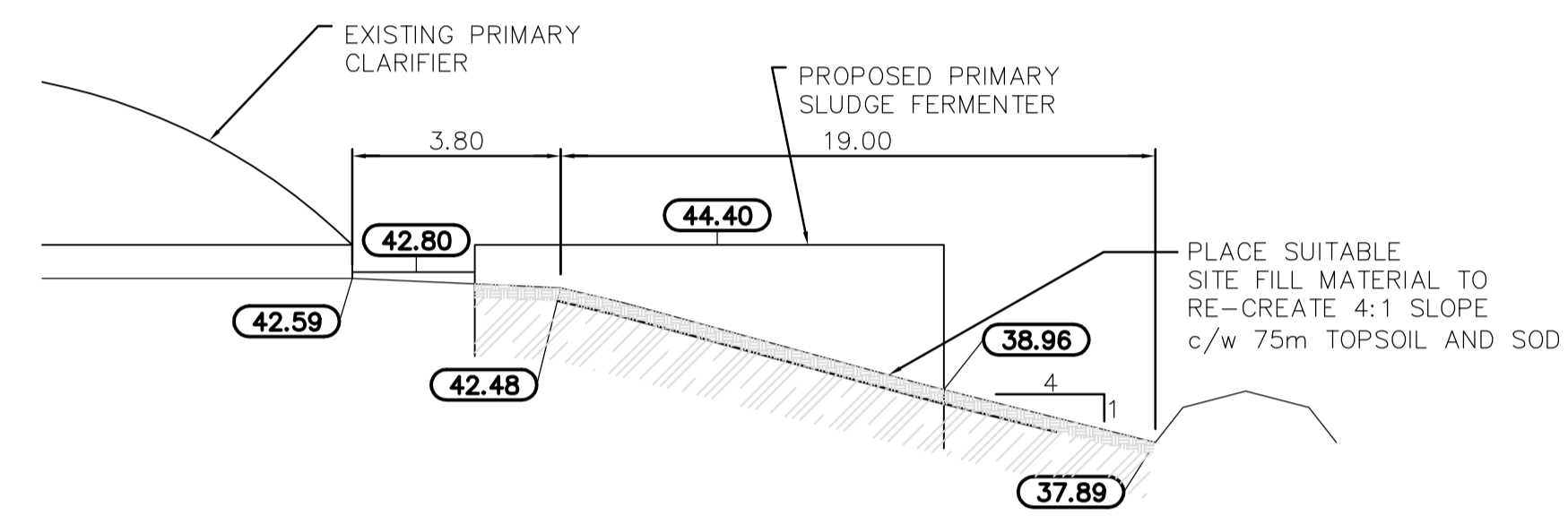


1 SECTION 1
LC1.01 SCALE 1:250

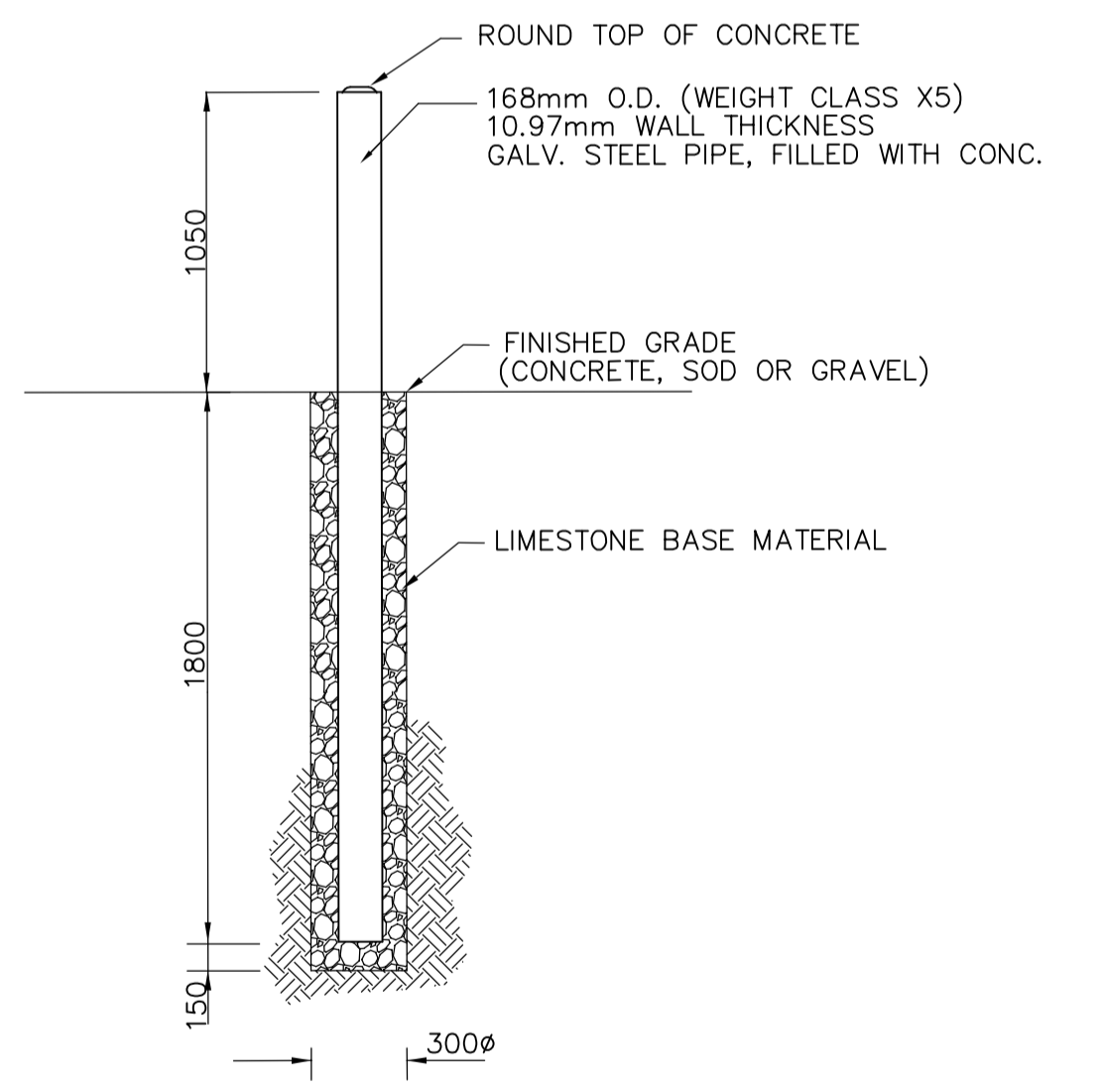
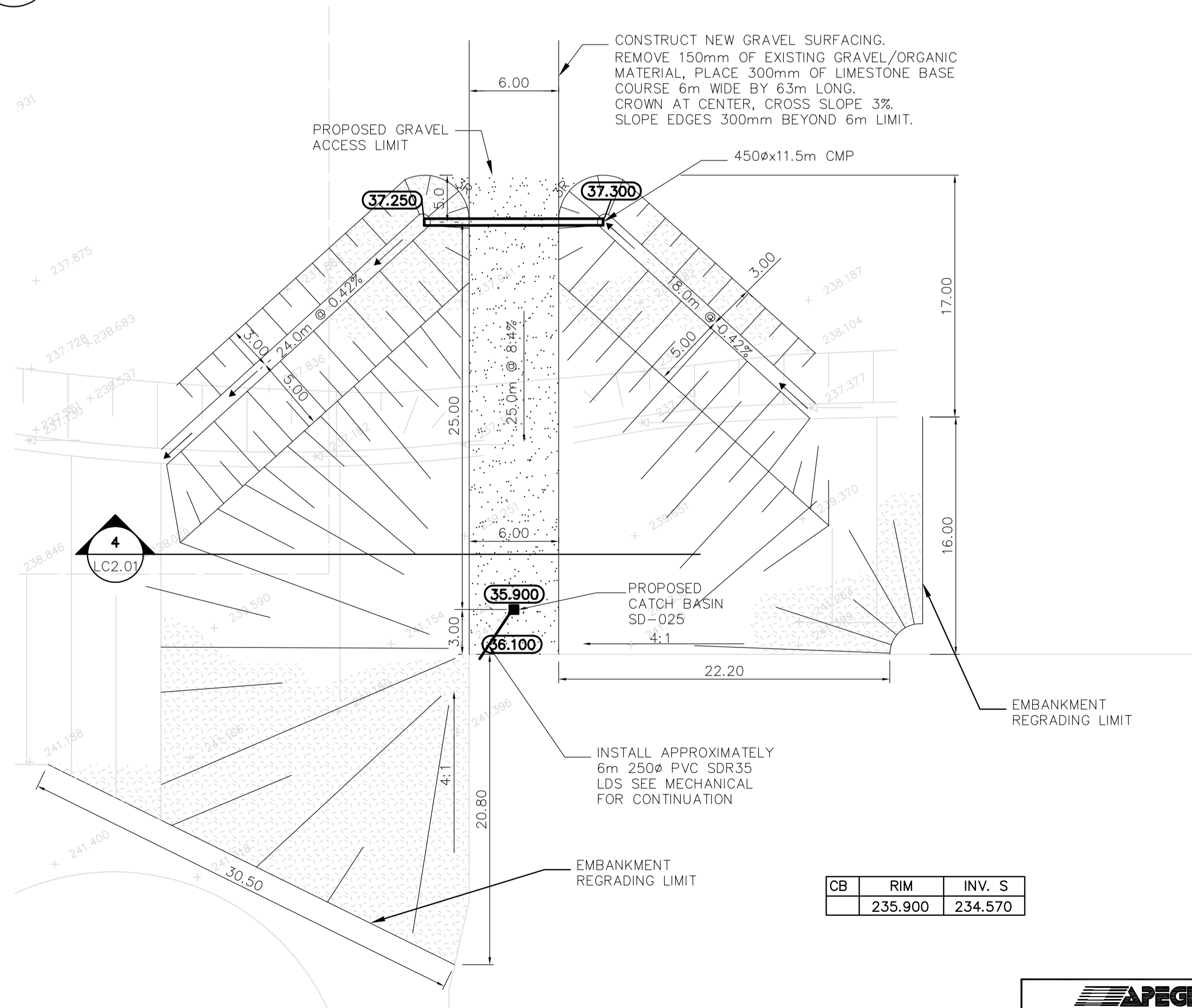
4 ROADWAY SECTION
LC2.01 SCALE N.T.S.

5 ROADWAY SECTION
LC2.01 SCALE N.T.S.



7 ROADWAY SECTION
LC2.01 SCALE N.T.S.

2 SECTION 2
LC1.01 SCALE 1:250



8 STEEL BOLLARD DETAIL
LC2.01 SCALE N.T.S.

6 DAF BUILDING ACCESS APPROACHES
LC1.01 SCALE 1:250

3 BIOREACTOR GRAVEL ACCESS
LC1.01 SCALE 1:250

CB	RIM	INV. S
	235.900	234.570

APECM
Certificate of Authorization
Earth Tech Canada Inc.
No. 730 Expiry: April 30, 2006

B.M. ELEV.	DESIGNED BY	CHECKED BY	ENGINEER'S SEAL
	KWR	KWR	ORIGINAL SIGNED BY K. W. RAE 2006/04/26
	PAAP	JEH	
	HOR. SCALE: AS NOTED		CONSULTANT DRAWING NO. LC2.01
	VERTICAL SCALE:		
00 ISSUED FOR TENDER	06/04/26	KWR	RELEASED FOR CONSTRUCTION BY: J. VEILLEUX
NO. REVISIONS	DATE	BY	
	2005/06/27		
	2006/04/26		

EarthTech
A Tyco International Ltd. Company

THE CITY OF WINNIPEG
WATER AND WASTE DEPARTMENT
ENGINEERING DIVISION

WEWPC
BIOLOGICAL NUTRIENT REMOVAL UPGRADE
CONTRACT No. 3

CIVIL
AREA L - GENERAL AND SITE WORKS
SECTIONS AND DETAILS

CITY FILE NUMBER
SHEET OF
CITY DRAWING NUMBER