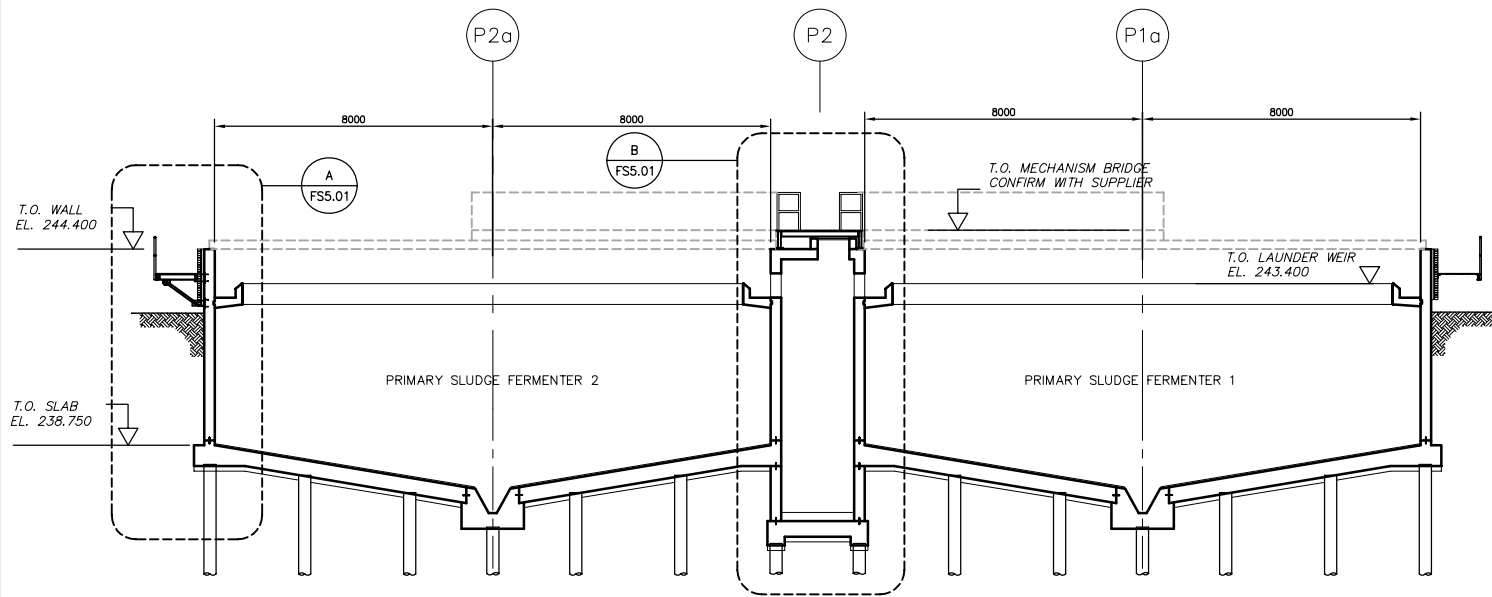
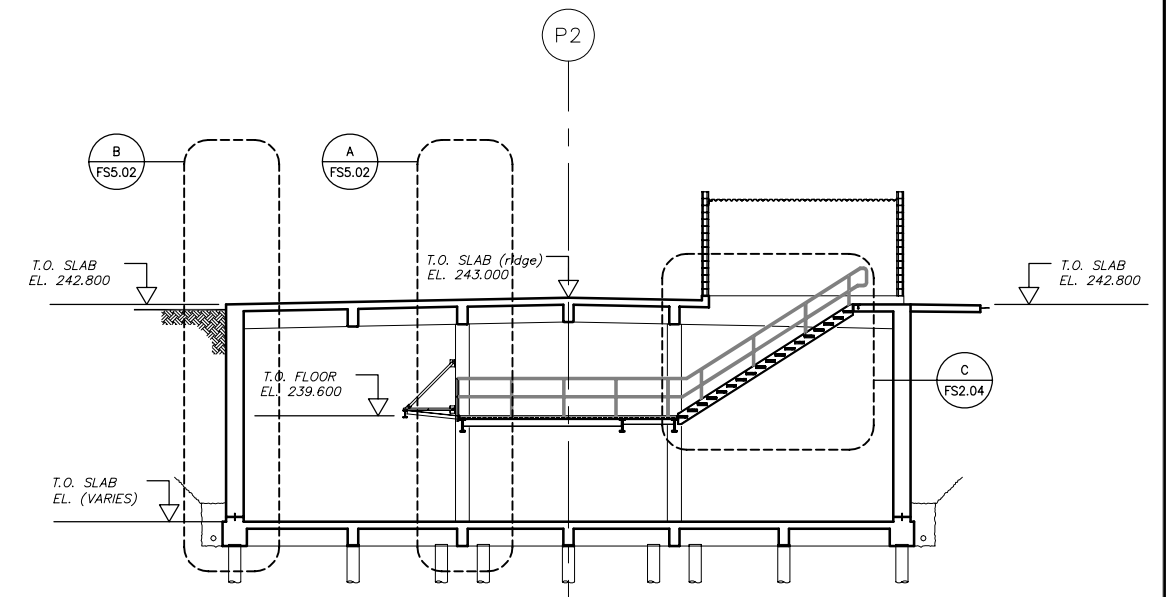


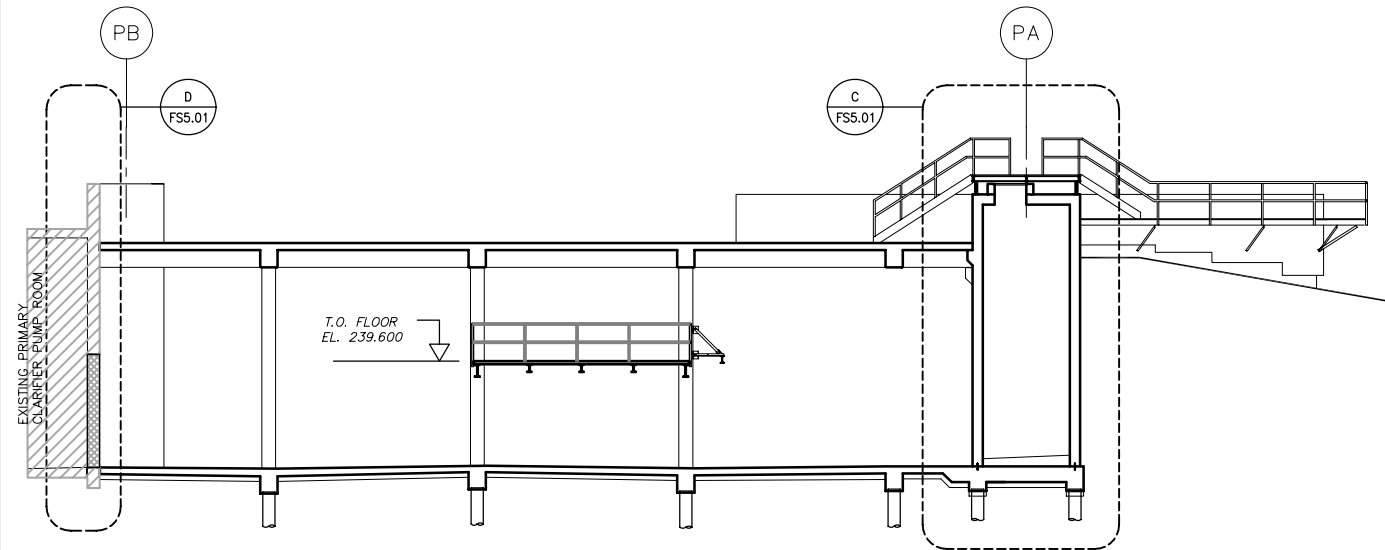
SHEET: COW-A1 (03/2005)



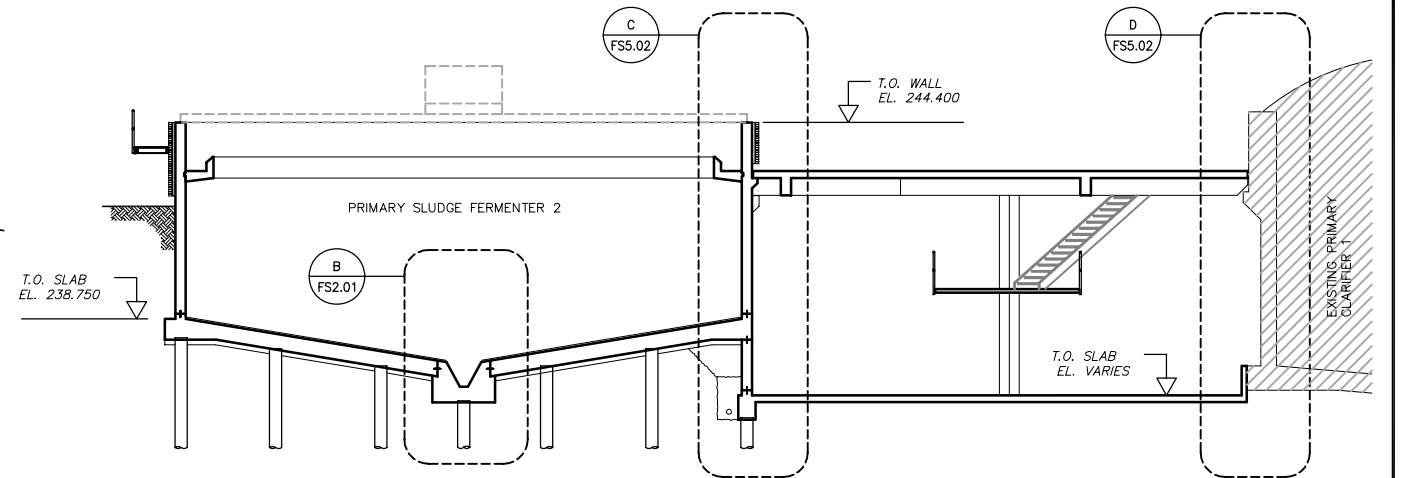
1 SECTION  
FS2.02 1:100



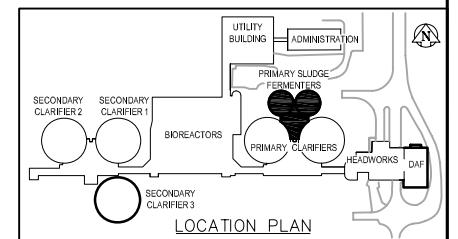
2 SECTION  
FS2.02 1:100



3 SECTION  
FS2.02 1:100



4 SECTION  
FS2.02 1:100



B.M. ELEV.							
DESIGNED BY	CJG	CHECKED BY	CJG	ENGINEER'S SEAL			
DRAWN BY	NV	APPROVED BY	JEH	ORIGINAL SIGNED BY			
HOR. SCALE:	AS NOTED	RELEASED FOR CONSTRUCTION BY:	J. VEILLEUX	C.J. GENTILE			
VERTICAL SCALE:		DATE	2006/03/10	2006/04/25			
ISSUED FOR TENDER	06/04/26	DATE	2006/03/10	DATE	2006/04/26	CONSULTANT DRAWING NO.	FS3.01
NO. REVISIONS		DATE		DATE			

			<b>THE CITY OF WINNIPEG</b> <b>WATER AND WASTE DEPARTMENT</b> <b>ENGINEERING DIVISION</b>		
		<b>WEWPC</b> <b>BIOLOGICAL NUTRIENT REMOVAL UPGRADE</b> <b>CONTRACT No. 3</b>		CITY FILE NUMBER SHEET OF	
		STRUCTURAL AREA F – PRIMARY SLUDGE FERMENTERS SECTIONS AND DETAILS		CITY DRAWING NUMBER	