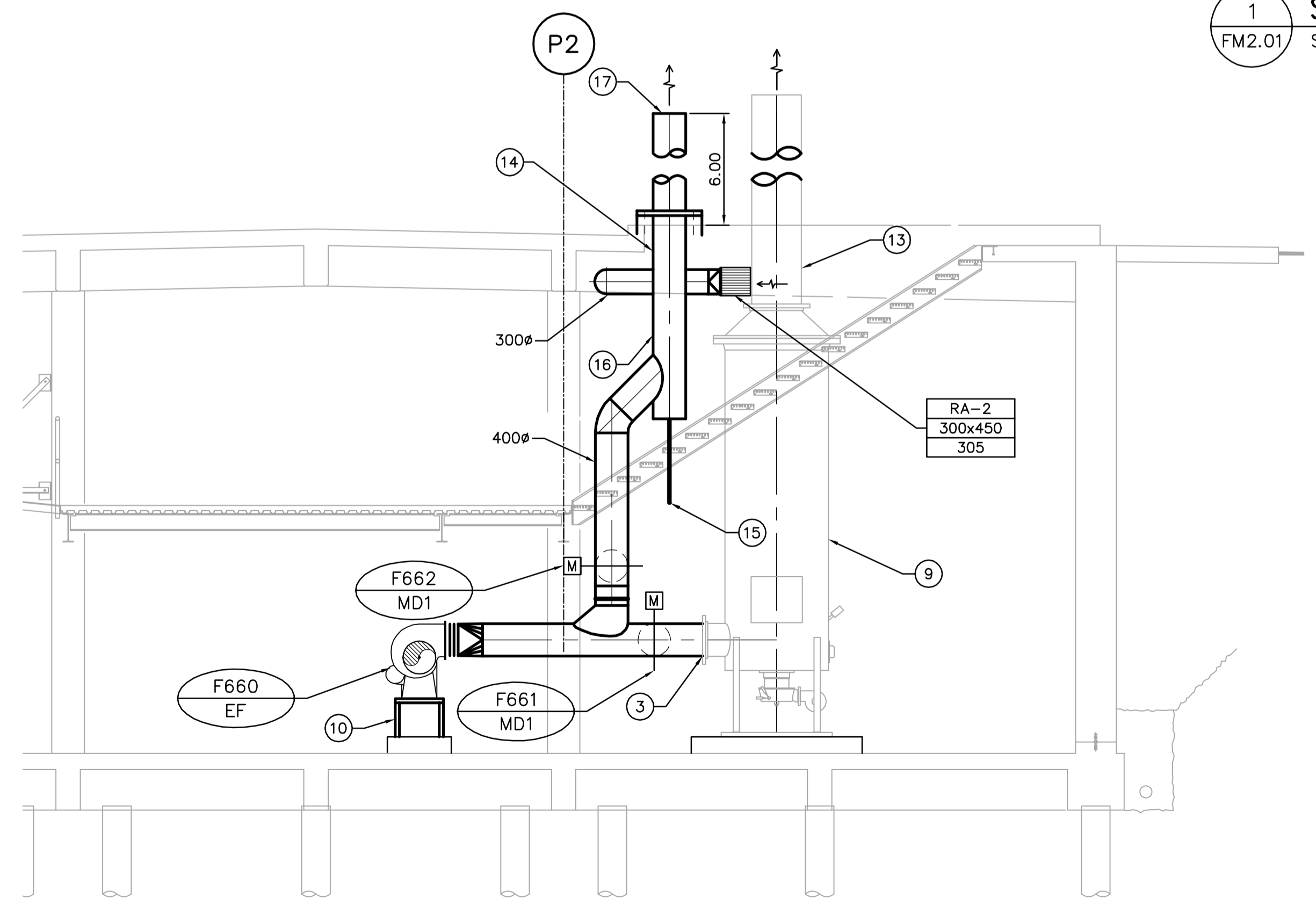


1 SECTION  
FM2.01 SCALE 1:50



2 SECTION  
FM2.01 SCALE 1:50

**DRAWING NOTES**

- ① 50mm THERMAL INSULATION TO PENETRATE THROUGH ROOF AND INTO ROOF CURB.
- ② AIR DIFFUSERS SHALL BE SECURELY ANCHORED TO WALL (TYP OF 6).
- ③ 400 $\phi$  DUCT TO THERMAL OXIDIZER.
- ④ F600-MUA TO BE MOUNTED ON 150mm HIGH CONCRETE PAD. CONCRETE PAD PROVIDED BY STRUCTURAL.
- ⑤ TO INTAKE OF F650-EF.
- ⑥ FOUL AIR FROM H710-EF. SEE DRAWING PM2.01 FOR CONTINUATION.
- ⑦ PRESSURE SWITCH (F555-PIT) LOCATED AT HIGHEST POINT IN WETWELL. CONTROLS F650-EF.
- ⑧ 300 $\phi$  SUPPLY AIR DUCT TO FLOOR MOUNTED SUPPLY AIR DIFFUSER.
- ⑨ THERMAL OXIDIZER (F661-TO) BY DIVISION II.
- ⑩ MECHANICAL CONTRACTOR TO PROVIDE STAND FOR F660-EF. CENTERLINE OF EXHAUST FAN DISCHARGE SHALL LINE UP w/ THERMAL OXIDIZER FOUL AIR CONNECTION CENTERLINE.
- ⑪ 300mm LONG, 15' CONICAL INTAKE. LIP OF INTAKE TO BE 100 BELOW CEILING.
- ⑫ ACOUSTICALLY INSULATE ENTIRE LENGTH OF 600x600 DUCT.
- ⑬ THERMAL OXIDIZER EXHAUST STACK BY DIVISION II.
- ⑭ THERMAL OXIDIZER BY-PASS STACK c/w 50mm INSULATION AND ALUMINUM JACKETING.
- ⑮ PIPE 15mm HOSE TO NEAREST DRAIN. FORM A P-TRAP IN HOSE NEAR GROUND LEVEL. P-TRAP TO HOLD AT LEAST A 150mm HIGH COLUMN OF WATER.
- ⑯ SUPPORT 400 $\phi$  BYPASS DUCT FROM UNDERSIDE OF CEILING
- ⑰ BY-PASS STACK TO BE 6.0 METERS ABOVE FERMENTER GALLERY ROOF.

**GENERAL NOTES**

1. COORDINATE WITH OTHER TRADES SO AS TO PREVENT CONFLICTS.
2. ALL DUCTWORK SHALL BE SUPPORTED AND SUSPENDED AS PER SPECIFICATIONS AND LOCAL CODES. (SEE DETAILS)



B.M. ELEV.		 A Tyco International Ltd. Company		ENGINEER'S SEAL	
				ORIGINAL SIGNED BY A. BURACHYNSKY 2006/04/26	
DESIGNED BY	DC	CHECKED BY	PVL	CONSULTANT DRAWING NO. FM4.01	
DRAWN BY	DC	APPROVED BY	JEH		
HOR. SCALE: AS NOTED		RELEASED FOR CONSTRUCTION BY:			
VERTICAL SCALE:		J. VEILLEUX			
NO.	ISSUED FOR TENDER	DATE	BY	DATE	2005/12/19
00		06/04/26	DC	DATE	2006/04/26

**THE CITY OF WINNIPEG**  
 WATER AND WASTE DEPARTMENT  
 ENGINEERING DIVISION

WEWPCC BIOLOGICAL NUTRIENT REMOVAL UPGRADE CONTRACT 3	CITY FILE NUMBER SHEET OF
MECHANICAL AREA F - PRIMARY SLUDGE FERMENTERS SECTION	CITY DRAWING NUMBER