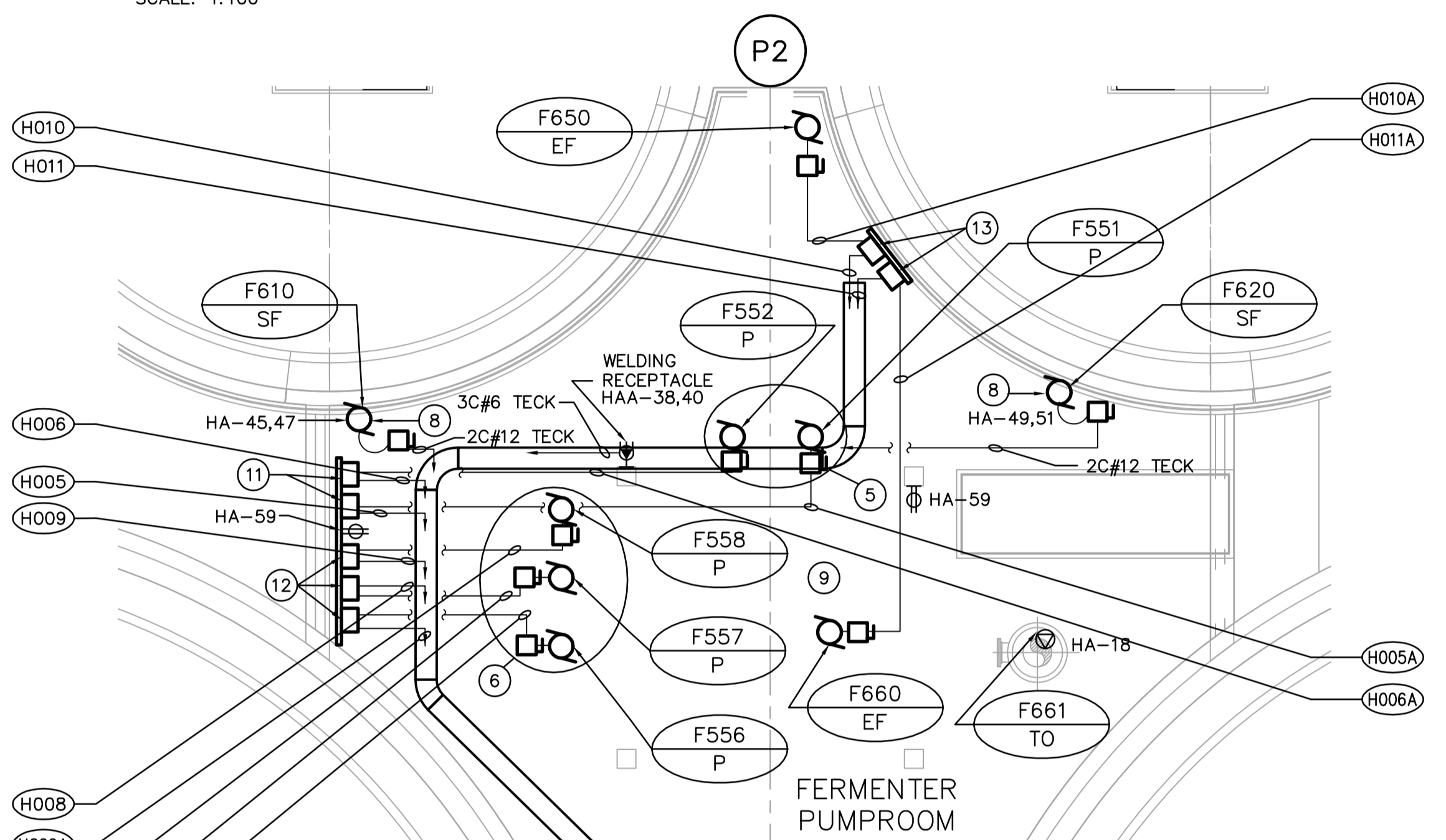
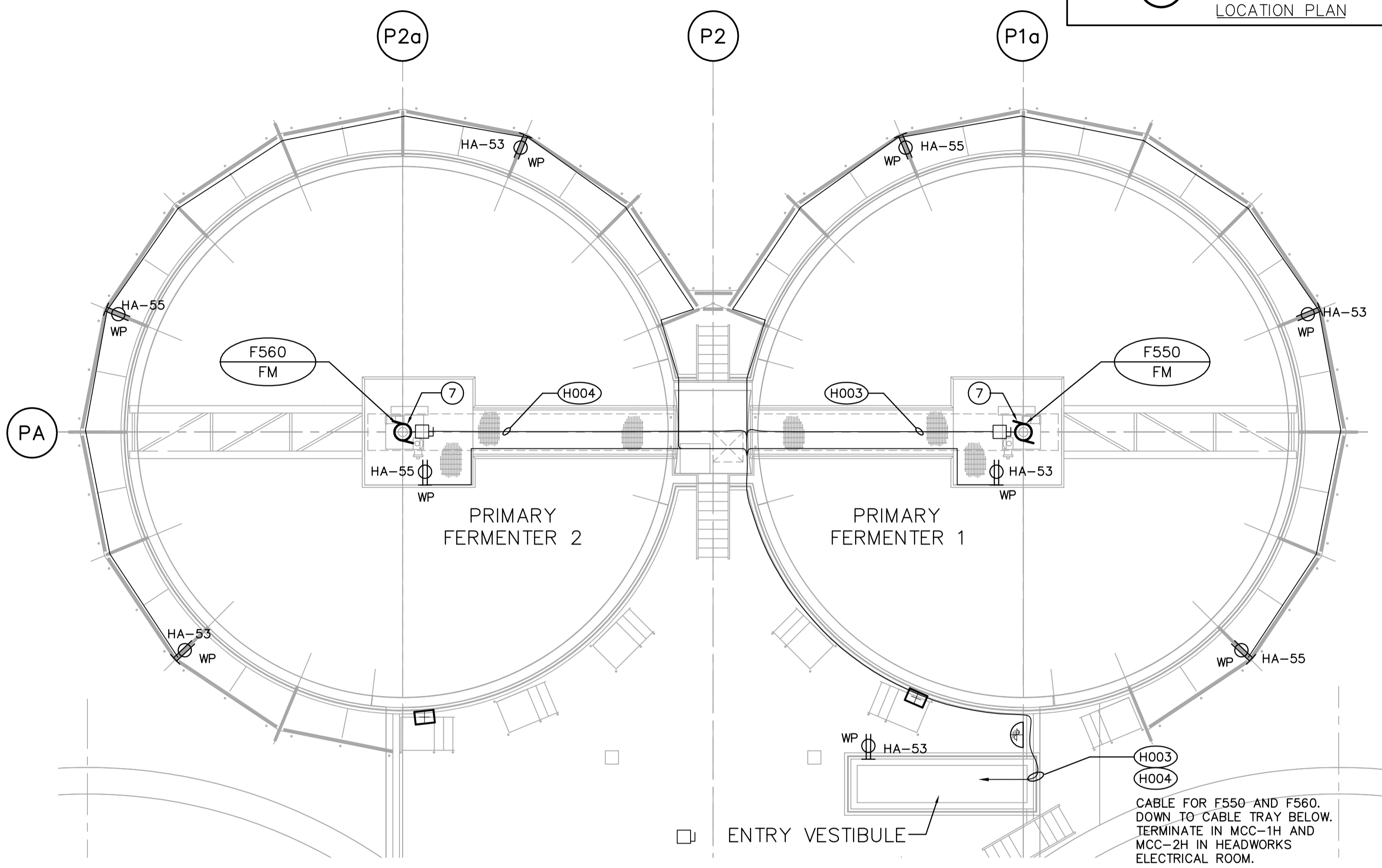


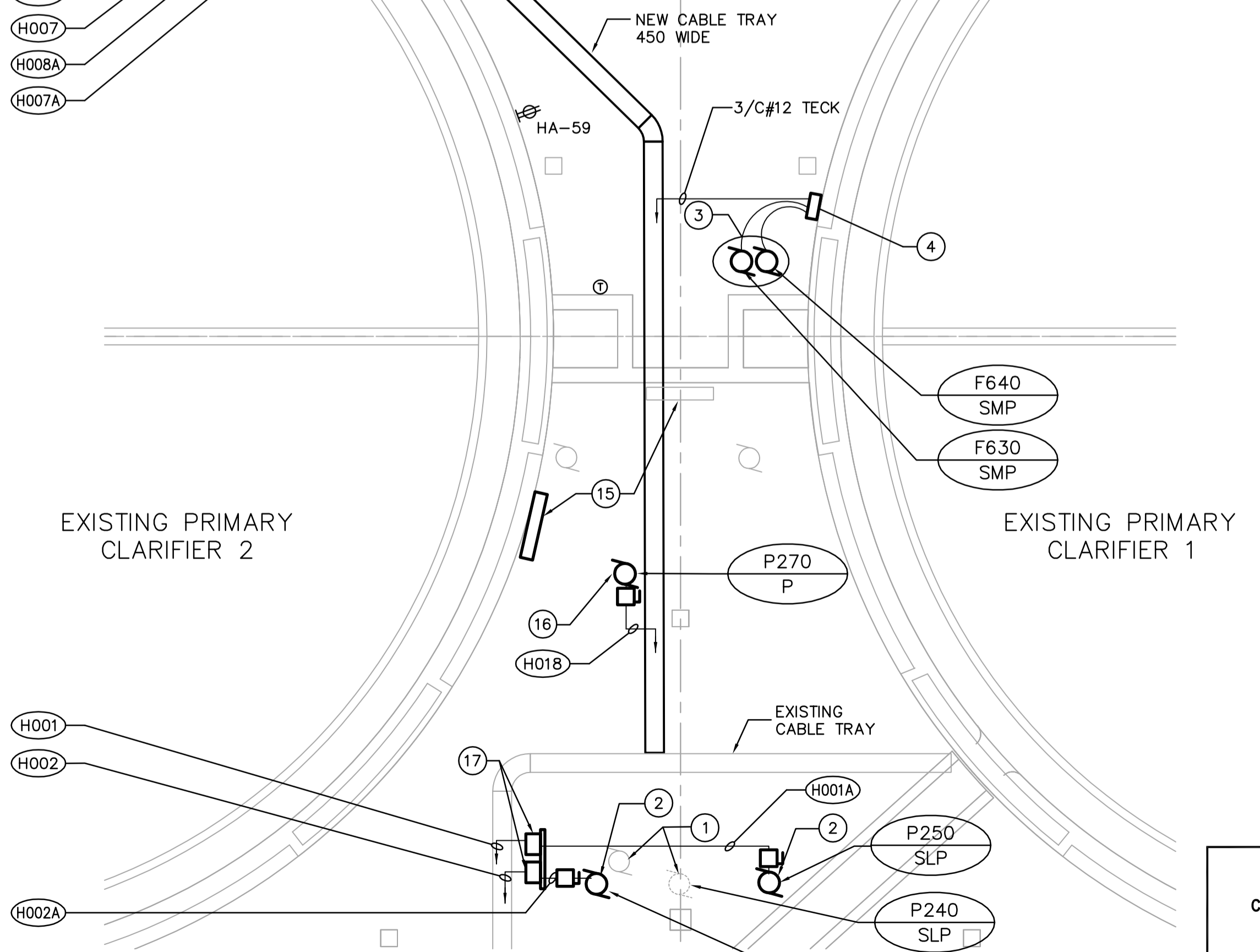
**FERMENTER MEZZANINE - POWER PLAN**  
SCALE: 1:100



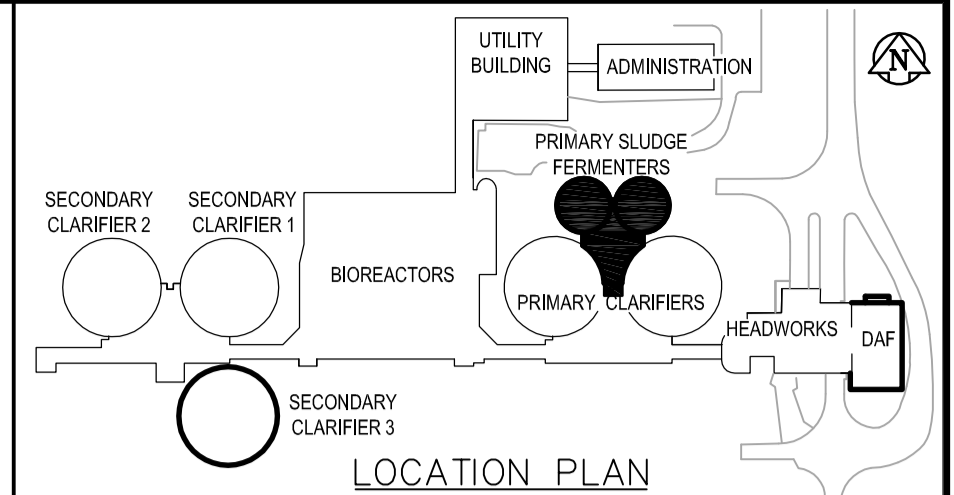
**FERMENTER PUMPROOM - POWER PLAN**  
SCALE: 1:100



**FERMENTER ROOF - POWER PLAN**  
SCALE: 1:100



**FERMENTER PUMP ROOM - POWER PLAN**  
SCALE: 1:100



**DRAWING NOTES**

- 1 DISCONNECT EXISTING DEWATERING PUMP P240 AND MAKE READY FOR REMOVAL. RE-CONNECT PUMP AND CONTROLS ONCE PUMP HAS BEEN RELOCATED. REFER TO DEMOLITION DRAWING PP0-01.
- 2 WIRE AND CONNECT NEW PRIMARY SLUDGE PUMPS P250 AND P260 AND ASSOCIATED CONTROLS AND VFD'S TO MCC'S IN HEADWORKS ELECTRICAL ROOM.
- 3 WIRE AND CONNECT NEW SUMP PUMPS F630 AND F640 AND ASSOCIATED CONTROLS TO MCC'S IN HEADWORKS ELECTRICAL ROOM.
- 4 SUMP PUMP F630 AND F640 CONTROL CABINET c/w ALTERNATOR, STARTERS & CONTROLS SUPPLIED BY DIV. 15.
- 5 WIRE AND CONNECT NEW FERMENTER SLUDGE PUMPS F551 AND F552 AND ASSOCIATED CONTROLS AND VFD'S TO MCC'S IN HEADWORKS ELECTRICAL ROOM. REFER TO MCC SCHEDULE FOR CABLE SIZES.
- 6 WIRE AND CONNECT NEW FERMENTER SUPERNATANT PUMPS F556, F557 AND F558 AND ASSOCIATED CONTROLS AND VFD'S TO MCC'S IN HEADWORKS ELECTRICAL ROOM. REFER TO MCC SCHEDULE FOR CABLE SIZES.
- 7 WIRE AND CONNECT NEW CLARIFIER MECHANISM MOTORS F550 AND F560 AND ASSOCIATED CONTROLS TO MCC'S IN HEADWORKS ELECTRICAL ROOM. REFER TO MCC SCHEDULE FOR CABLE SIZES.
- 8 WIRE AND CONNECT EXHAUST FAN MOTORS F610 AND F620 AND ASSOCIATED CONTROLS TO EXISTING PANEL HA IN HEADWORKS ELECTRICAL ROOM.
- 9 WIRE AND CONNECT FERMENTER ODOUR CONTROL FAN MOTORS F650 AND F660 AND ASSOCIATED CONTROLS TO MCC'S IN HEADWORKS ELECTRICAL ROOM.
- 10 WIRE AND CONNECT EXHAUST FAN AND SUPPLY FAN MOTORS F600 AND ASSOCIATED CONTROLS AND VFD'S.
- 11 VFD'S INSTALLED IN CSA4 CABINET AND MOUNTED ON STAINLESS STEEL BACKBOARD FOR FERMENTER SLUDGE PUMPS F551-P AND F552-P. SUPPLIED BY DIV. 11.
- 12 VFD'S INSTALLED IN CSA4 CABINETS AND MOUNTED ON STAINLESS STEEL BACKBOARD FOR FERMENTER SUPERNATANT PUMPS F556-P, F557-P AND F558-P. SUPPLIED BY DIV. 11.
- 13 VFD'S INSTALLED IN CSA4 CABINET AND MOUNTED ON STAINLESS STEEL BACKBOARD FOR FERMENTER ODOUR CONTROL FANS F650-EF AND F660-EF. SUPPLIED BY DIV. 15.
- 14 VFD'S MOUNTED ON STAINLESS STEEL BACKBOARD FOR MAKE UP AIR UNIT FANS F600-EF AND F600-SF. SUPPLIED BY DIV. 15.
- 15 RELOCATE CONTROLS AND BACKBOARD FOR PUMPS. REROUTE EXISTING WIRE AND CONDUIT. ADJUST CABLES TO SUIT NEW LOCATION.
- 16 WIRE AND CONNECT SUMP PUMP P270-P AND ASSOCIATED CONTROLS TO MCC-1H IN HEADWORKS ELECTRICAL ROOM
- 17 VFD'S INSTALLED IN CSA4 CABINETS AND MOUNTED ON STAINLESS STEEL BACKBOARD FOR PRIMARY SLUDGE PUMPS P250-SLP AND P260-SLP. SUPPLIED BY DIV. 11.
- 18 REFER TO MOTOR CONTROL SCHEDULE FOR INFORMATION ON POWER CABLES, STARTERS AND REQUIRED CONTROLS.

**GENERAL NOTES**

1. COORDINATE WITH OTHER TRADES TO PREVENT CONFLICTS.
2. USE PVC JACKETED HITECK CABLE FOR ALL POWER WIRING.
3. WIRING FOR LIGHTING, RECEPTACLES AND COMMUNICATIONS TO IN RIGID ALUMINUM CONDUIT.
4. ALL CONDUIT TO BE 21mmØ MINIMUM UNLESS OTHERWISE NOTED.



B.M. ELEV.					
00	ISSUED FOR TENDER	06/04/26	ERC		
NO.	REVISIONS	DATE	BY	DATE	2005/11/22

**EarthTech**  
A Tyco International Ltd. Company

DESIGNED BY	GSN	CHECKED BY	PS
DRAWN BY	ERC	APPROVED BY	JEH
HOR. SCALE:	AS NOTED	RELEASED FOR CONSTRUCTION BY:	J. VEILLEUX
VERTICAL SCALE:		DATE	2006/04/26

ENGINEER'S SEAL  
ORIGINAL SIGNED BY  
P. STRYK  
2006/04/26  
CONSULTANT DRAWING NO.  
FE1.02

**THE CITY OF WINNIPEG**  
WATER AND WASTE DEPARTMENT  
ENGINEERING DIVISION

**WEWPCC**  
BIOLOGICAL NUTRIENT REMOVAL UPGRADE  
CONTRACT 3

ELECTRICAL  
AREA F - PRIMARY SLUDGE FERMENTERS  
POWER PLANS

CITY FILE NUMBER  
SHEET OF  
CITY DRAWING NUMBER