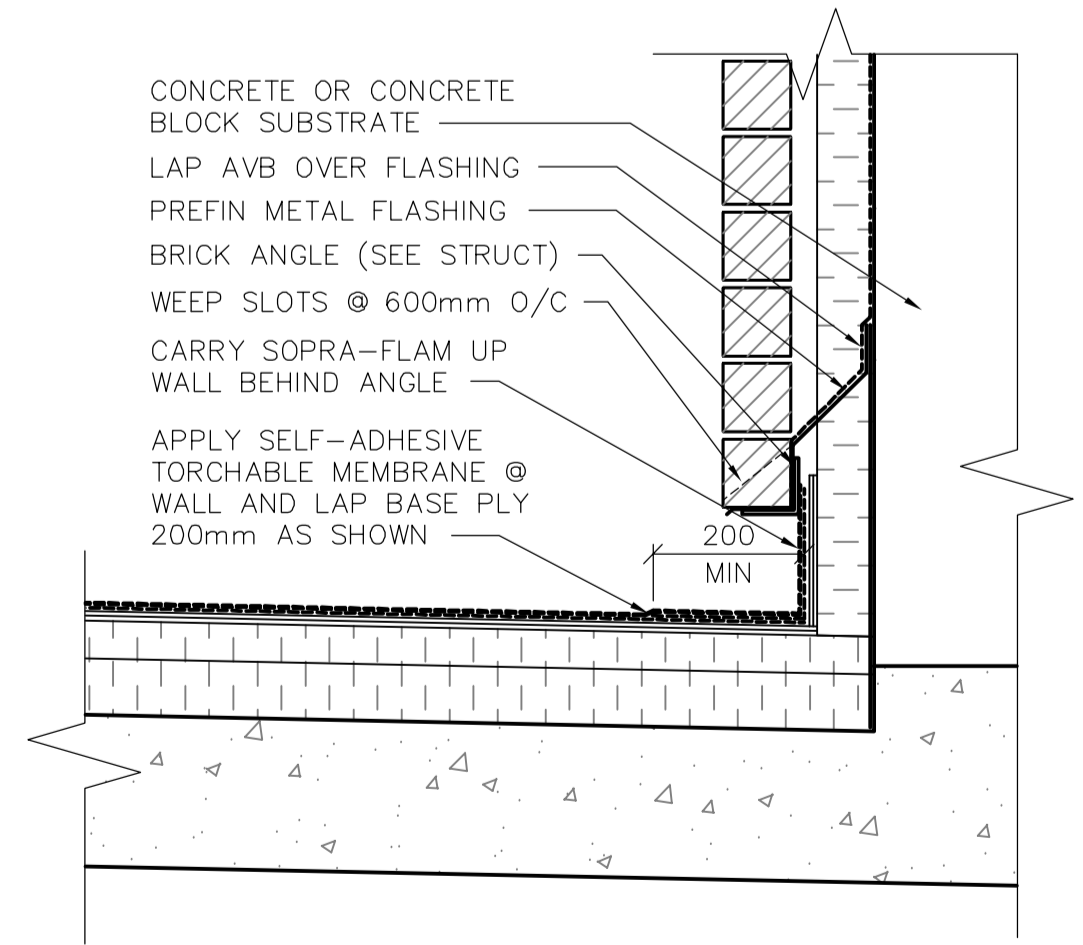
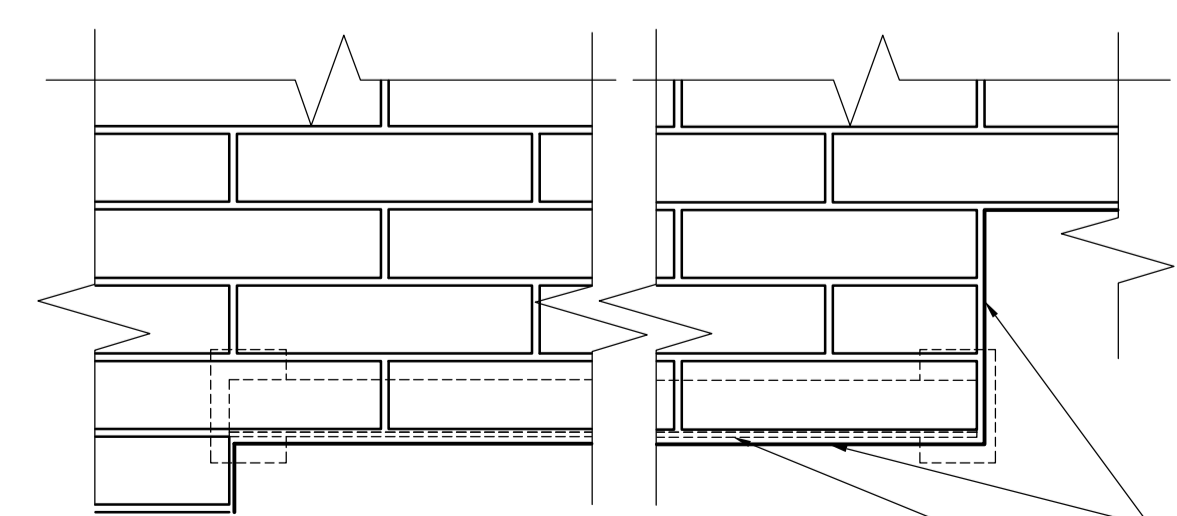


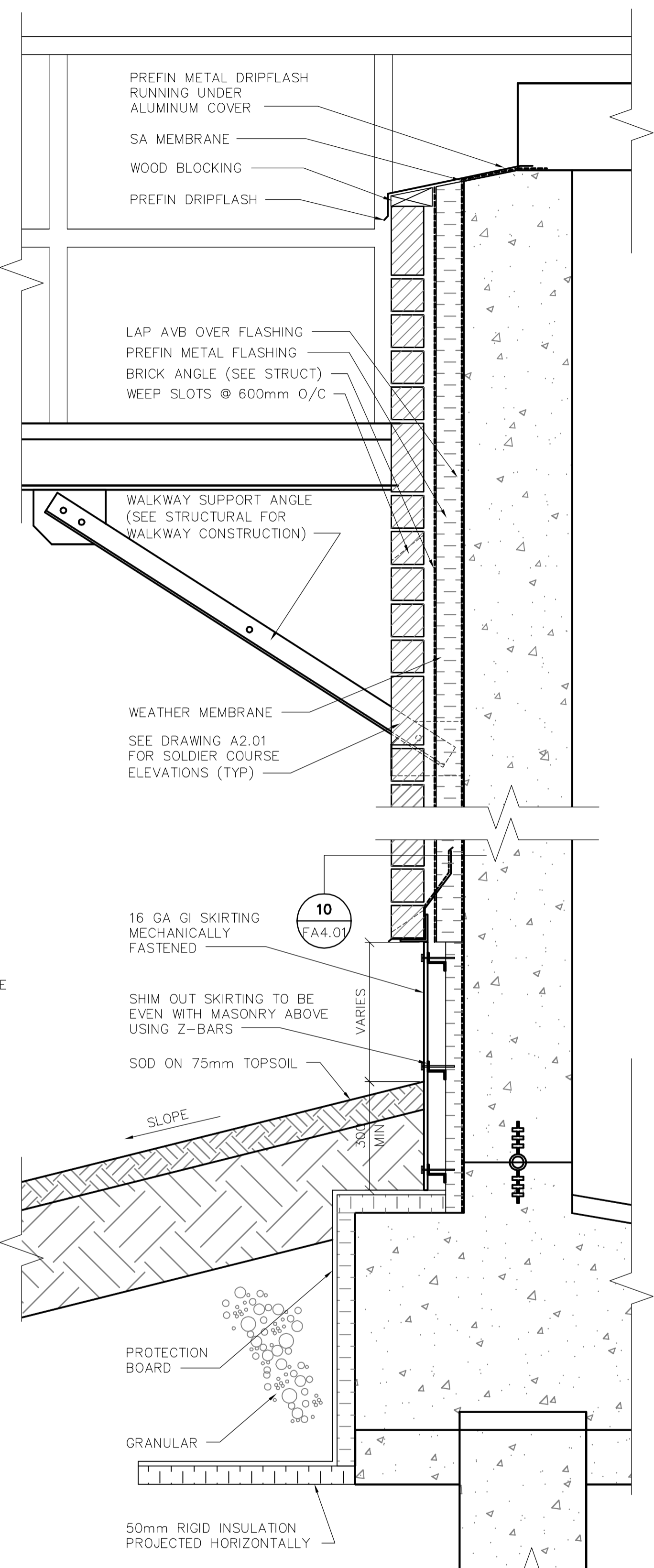
1 WALL SECTION @ DOOR
FA3.01 1:10



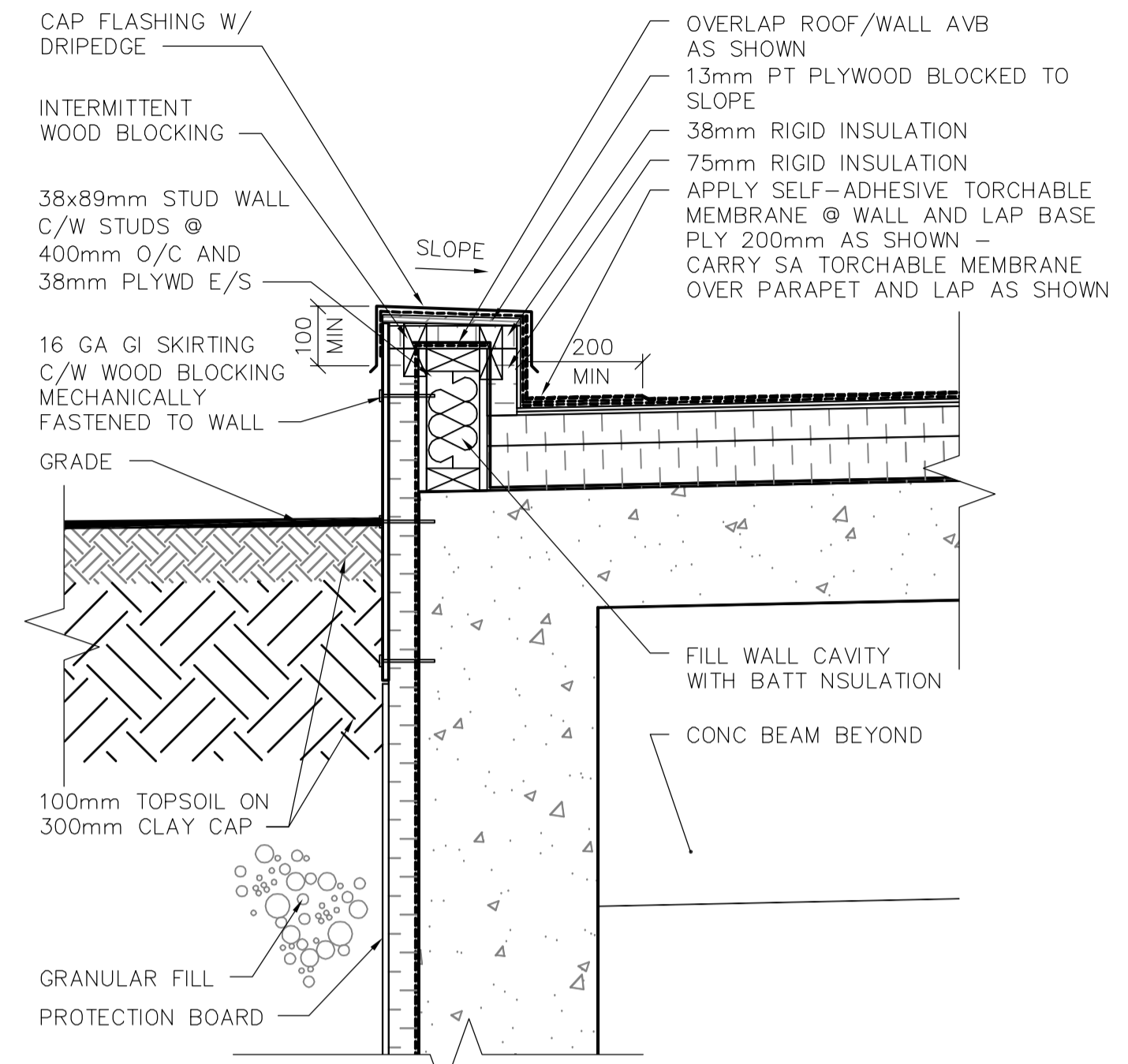
2 DETAIL @ ROOF AND WALL
FA3.01 1:10



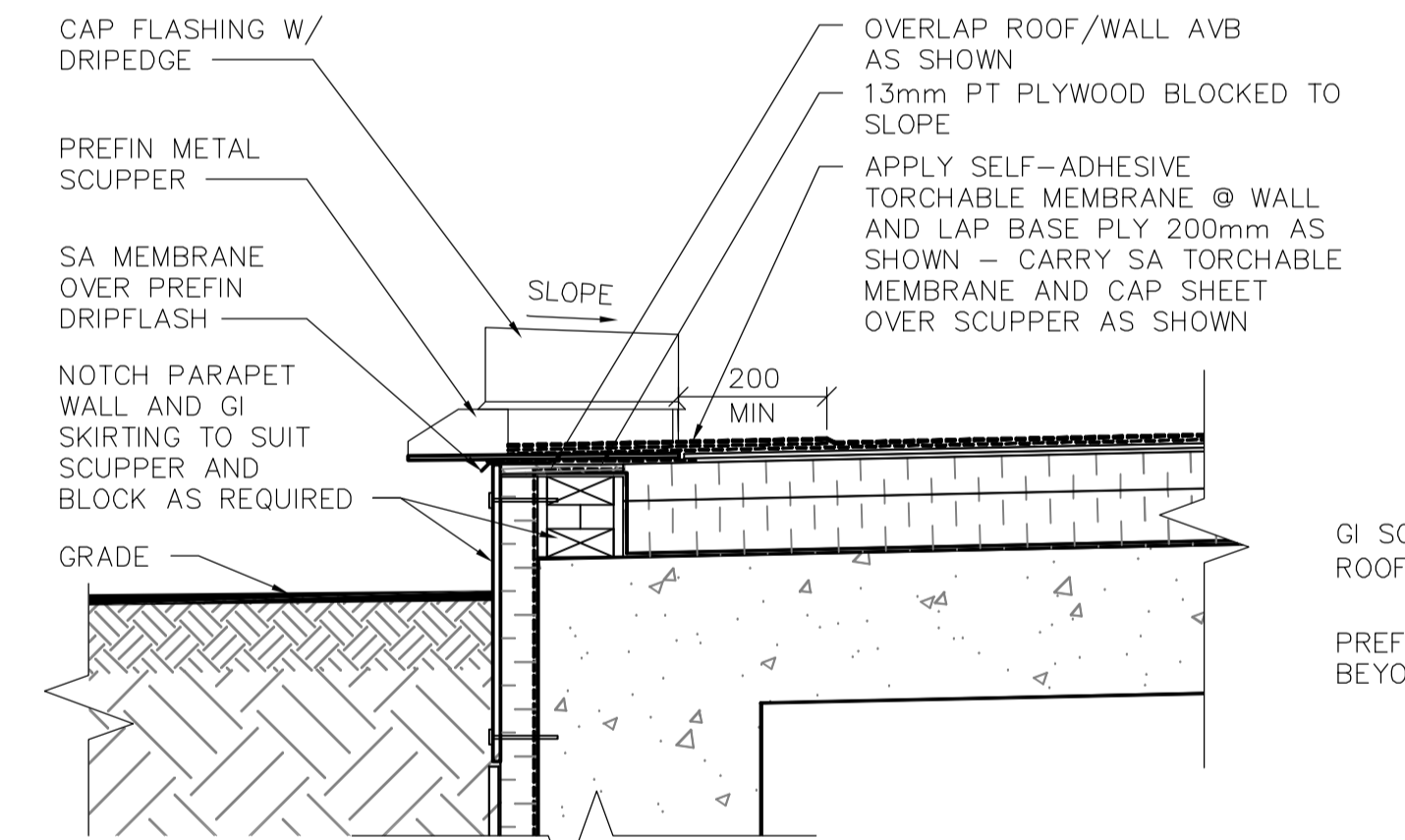
9 ELEVATION DETAIL @ MASONRY ANGLE
FA2.01 1:10



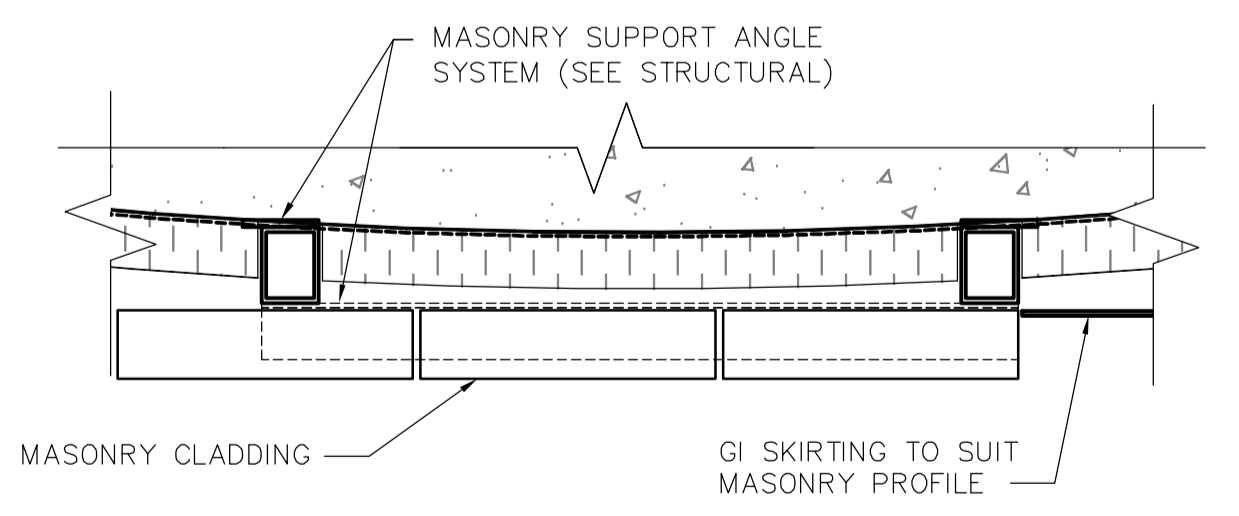
3 FERMENTER WALL SECTION (TYP)
FA1.01 1:10



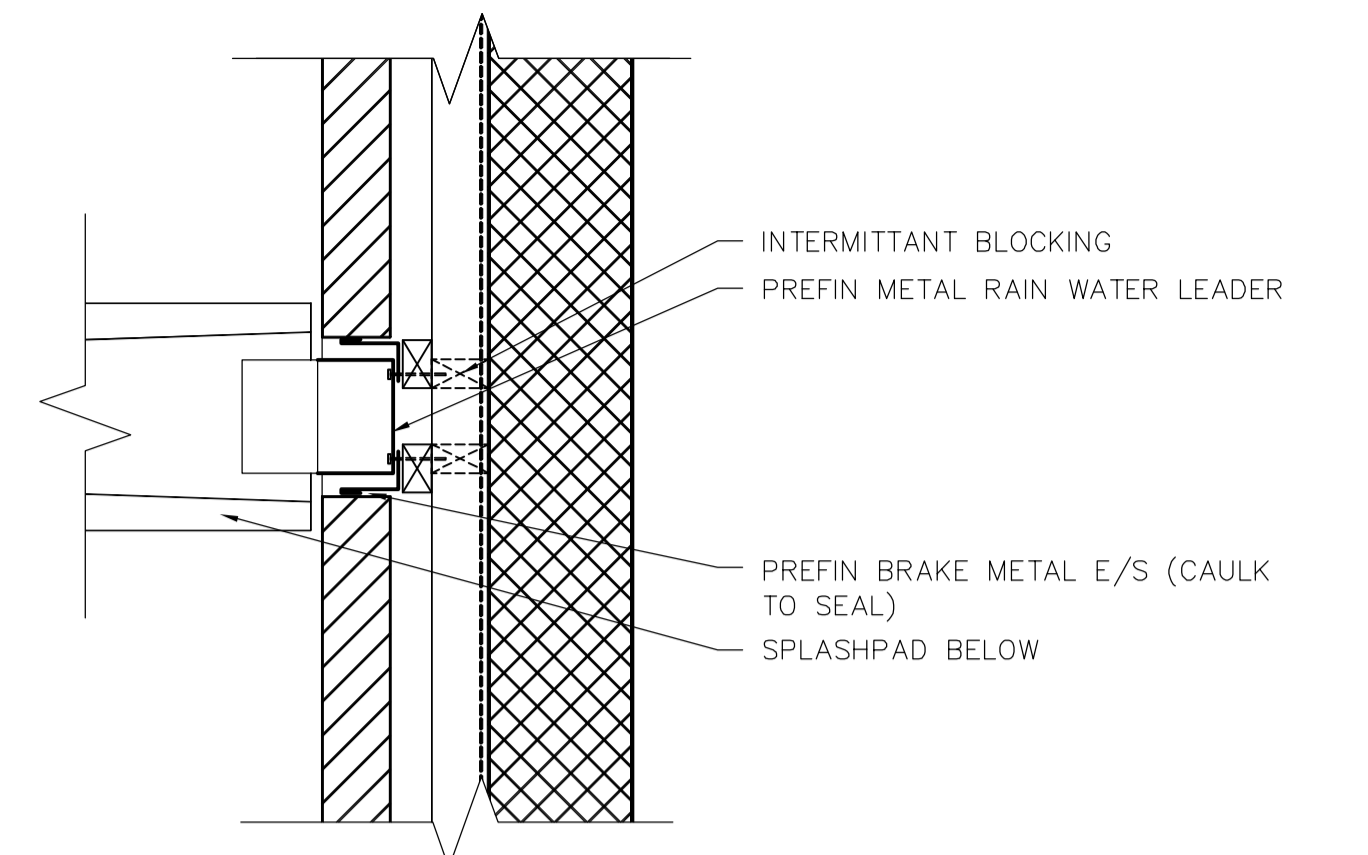
4 PARAPET DETAIL
FA3.01 1:10



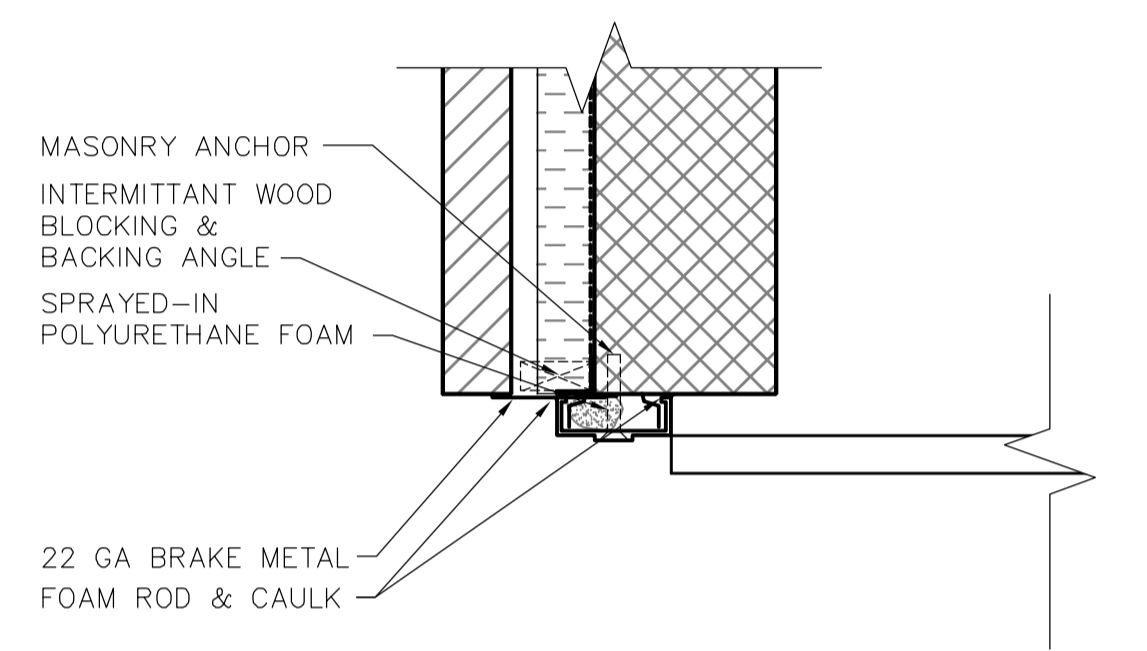
5 SCUPPER DETAIL
FA1.01 1:10



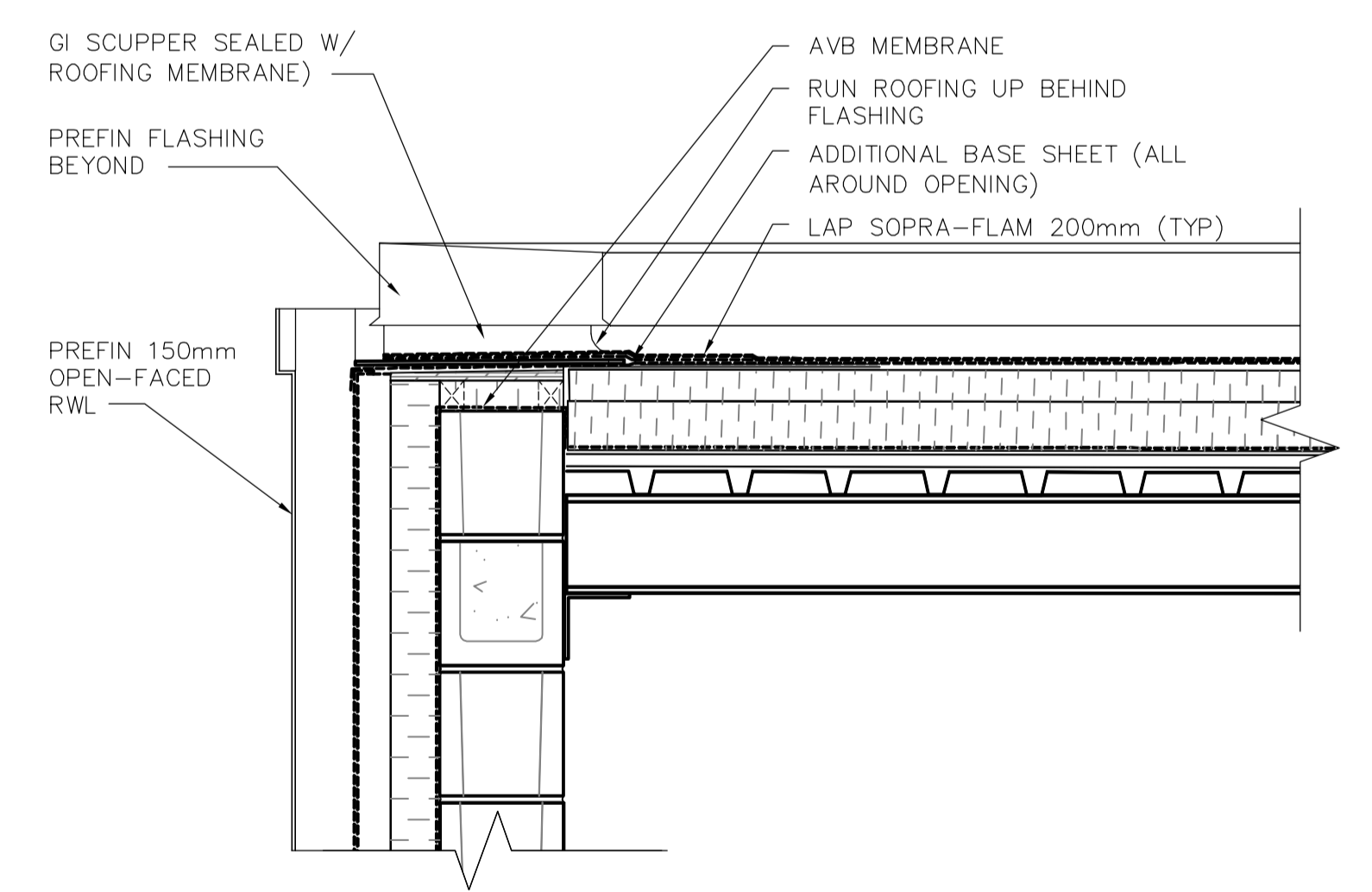
10 PLAN DETAIL @ MASONRY ANGLE
FA4.01 1:10



6 RAIN WATER LEADER PLAN DETAIL
FA1.01 1:10



7 EXT DOOR JAMBS PLAN DETAIL
FA1.01 1:10



8 SCUPPER SECTION DETAIL
FA1.01 1:10



LINE OF GI SKIRTING (JOG TO SUIT MASONRY PROFILE)
MASONRY SUPPORT ANGLE BEHIND MASONRY CLADDING (SEE STRUCTURAL)

B.M. ELEV.					
DESIGNED BY	NC	CHECKED BY	NC	ENGINEER'S SEAL	
DRAWN BY	LK/AL	APPROVED BY	JEH	ORIGINAL SIGNED BY	N. COOPER
SCALE:	AS SHOWN	RELEASED FOR CONSTRUCTION BY:	J. VILLEUX	2006/04/26	
00 ISSUED FOR TENDER	06/04/26	LK		CONSULTANT DRAWING NO.	FA4.01
NO. REVISIONS	DATE	BY	DATE	2006/02/05	DATE
			2006/04/26		

THE CITY OF WINNIPEG
WATER AND WASTE DEPARTMENT
ENGINEERING DIVISION

WEWPCC
BIOLOGICAL NUTRIENT REMOVAL UPGRADE
CONTRACT No. 3

ARCHITECTURAL
AREA F - PRIMARY SLUDGE FERMENTERS
SECTIONS & DETAILS

CITY FILE NUMBER
SHEET 6 OF 6
CITY DRAWING NUMBER