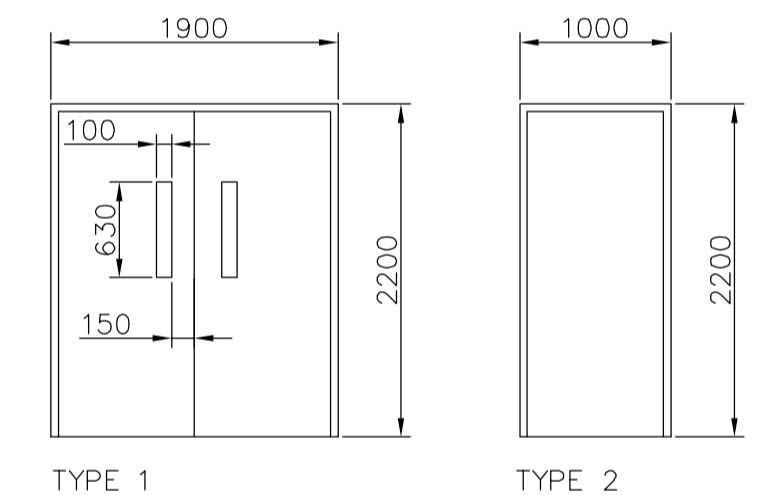
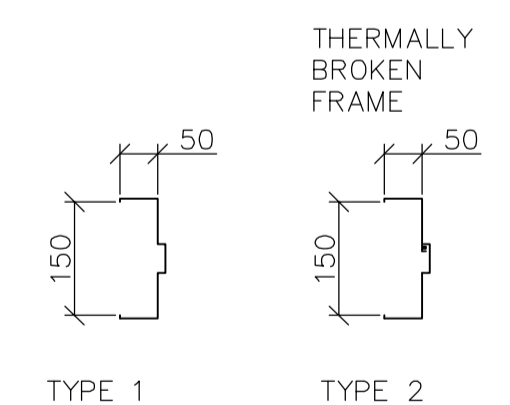


HARDWARE SCHEDULE

GROUP	DESCRIPTION	QUANTITY	UNIT	REMARKS	
GROUP 1	D101	6	BUTT HINGES	TA 314 115x100mm NRPMcKINNEY	
	1	LOCKSET	AU5407 x ASA	YALE (W/CONST CYLINDER)	
	2	FLUSHBOLTS	F65	STANDARD METAL	
	2	FLOOR STOP	S113	STANDARD METAL	
	2	WEATHERSTRIP	W29 1/6 + 2/7	KN CROWDER	
	2	DOOR SWEEP	W245 - 900 & 600mm	KN CROWDER	
	1	THRESHOLD	CT11 - 1800	KN CROWDER	
	1	ASTRAGAL	W40P - 2100	KN CROWDER	
	1	KICKPLATE	K10A	STANDARD METAL	
	1	CLOSER	4040	LCN	
	GROUP 2	D201	3	BUTT HINGES	TA 314 115x100mm NRPMcKINNEY
		1	EXIT DEVICE	35A SERIES	VON DUPRIN
1		FLOOR STOP	S113	STANDARD METAL	
1		WEATHERSTRIP	W29 1/3 + 2/7	KN CROWDER	
1		DOOR SWEEP	W24S - 900mm	KN CROWDER	
1		THRESHOLD	CT11 - 900mm	KN CROWDER	
1		KICKPLATE	K10A	STANDARD METAL	
1		CLOSER	4040	LCN	
BLANK (NO HARDWARE) ON EXTERIOR					



DOOR SCHEDULE
SCALE : 1:50



DOOR FRAME SCHEDULE
SCALE : 1:10

1 FLOOR PLAN
FA1.02 1:10

NEW DOORS (SEE STRUCTURAL FOR LOCATION)



DOOR SCHEDULE																	
DOOR NO	TO ROOM	DOOR					FRAME					HDW GROUP	FIRE RATING	GRILLES	COMMENTS		
		SIZE	SWING	TYPE	MAT	CORE	FINISH	COLOUR	PROFILE	MAT	TYPE					FINISH	COLOUR
D101	PUMPROOM	45x900x2150	LHR	1	HM	HC	PT	A	1	HM	WLD	PT	A	1	N/A	N/A	LHR ACTIVE
D201	VESTIBULE	45x900x2150	LH	2	HM	HC	PT	A	2	HM	WLD	PT	A	2	N/A	N/A	

FINISH SCHEDULE																						
ROOM NO	ROOM NAME	FLOOR				WALLS								CEILING		COMMENTS						
		FLOORING	BASE	COL	MAT	NORTH	EAST	SOUTH	WEST	FINISH	COLOUR	MAT	FINISH	COLOUR	HGT		AFF					
101	PUMPROOM	EPOXY	A	EPXY COV	A	CB	PT	C	CB	PT	C	CB	PT	C	CB	PT	C	METAL	PT	GRAY	+/-6400	
201	VESTIBULE	EPOXY	A	EPXY COV	A	CB	PT	C	CB	PT	C	CB	PT	C	CB	PT	C	METAL	PT	GRAY	2600	

B.M. ELEV.	NO.	REVISIONS	DATE	BY
	00	ISSUED FOR TENDER	06/04/26	LK

EarthTech
A Tyco International Ltd. Company

DESIGNED BY: NC
CHECKED BY: NC

DRAWN BY: LK/AL
APPROVED BY: JEH

HOR. SCALE: AS NOTED
VERTICAL SCALE: AS NOTED

RELEASED FOR CONSTRUCTION BY: J. VEILLEUX

DATE: 2006/01/03
DATE: 2006/04/26

ENGINEER'S SEAL

ORIGINAL SIGNED BY: N. COOPER

DATE: 2006/04/26

CONSULTANT DRAWING NO. FA1.02

THE CITY OF WINNIPEG
WATER AND WASTE DEPARTMENT
ENGINEERING DIVISION

WEWPCC
BIOLOGICAL NUTRIENT REMOVAL UPGRADE
CONTRACT No. 3

CITY FILE NUMBER: SHEET 2 OF 6

CITY DRAWING NUMBER

ARCHITECTURAL
AREA F - PRIMARY SLUDGE FERMENTERS
FLOOR PLAN & SCHEDULES