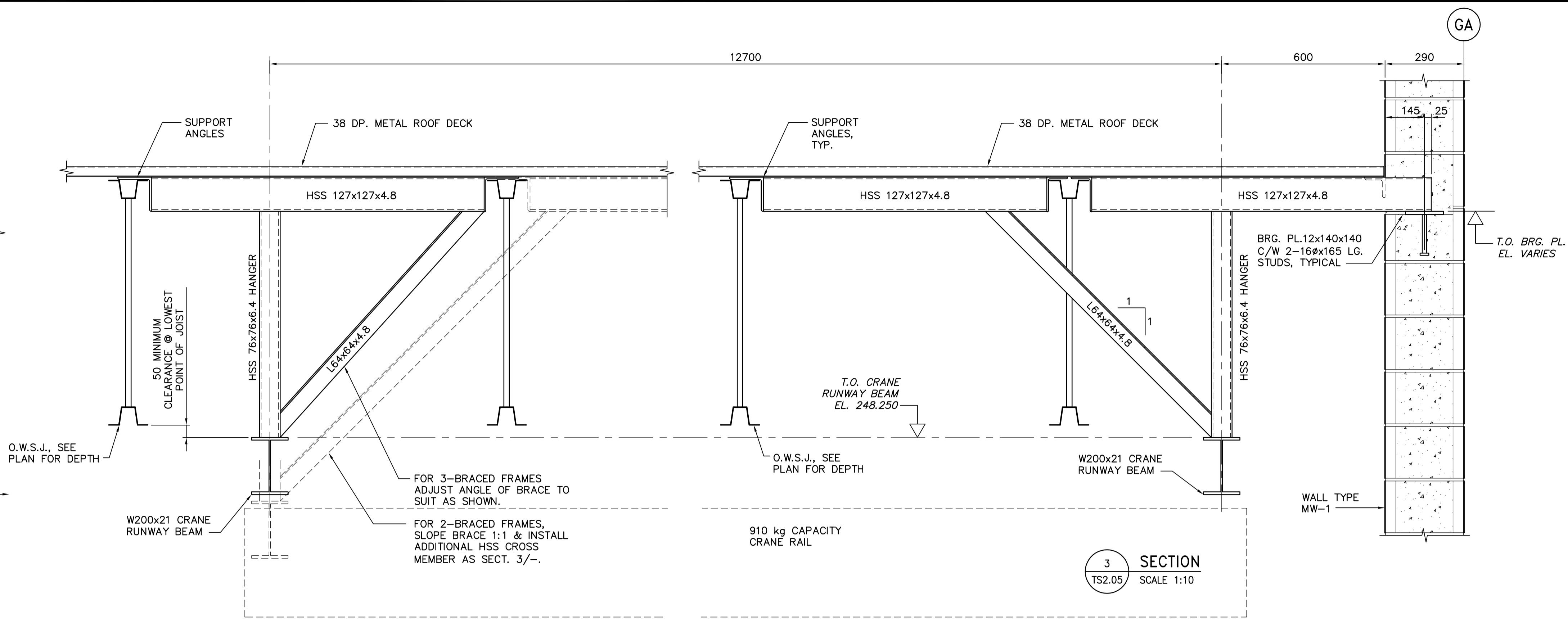
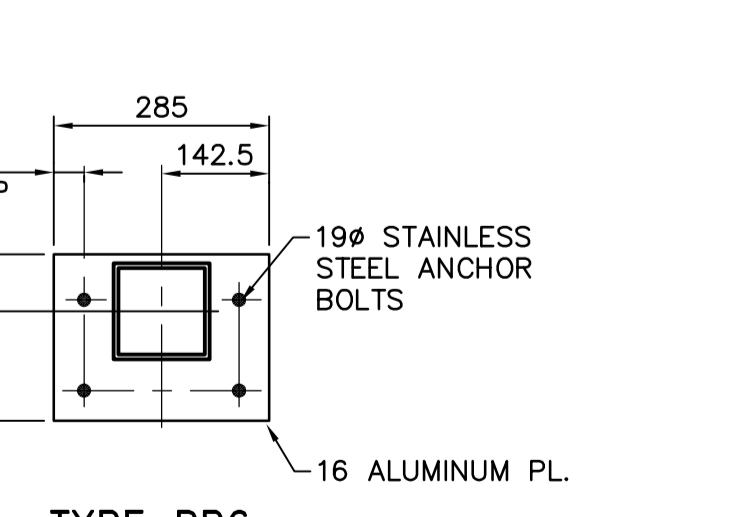
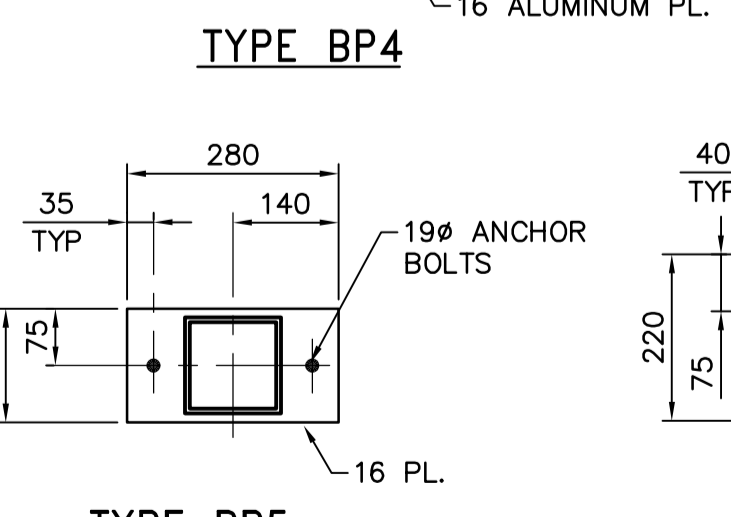
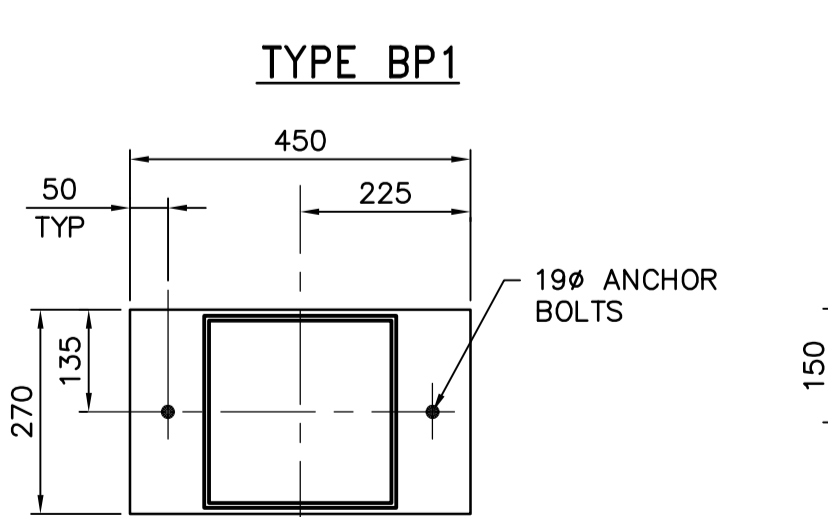
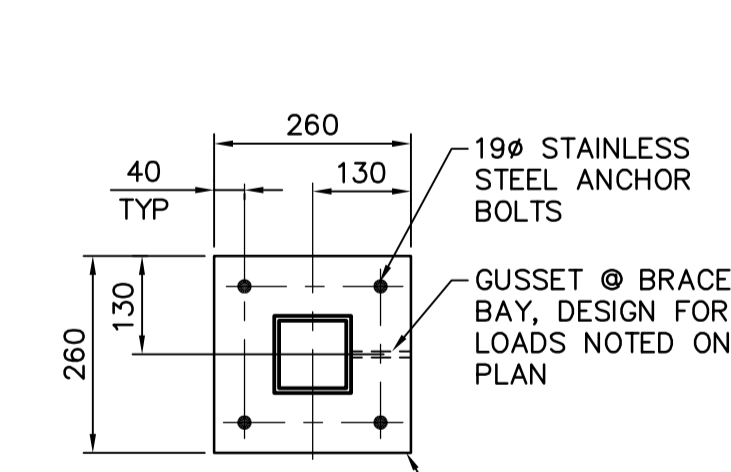
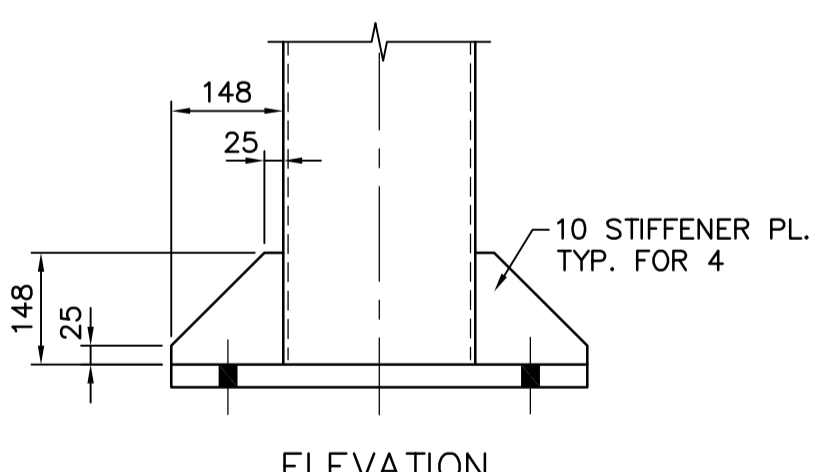
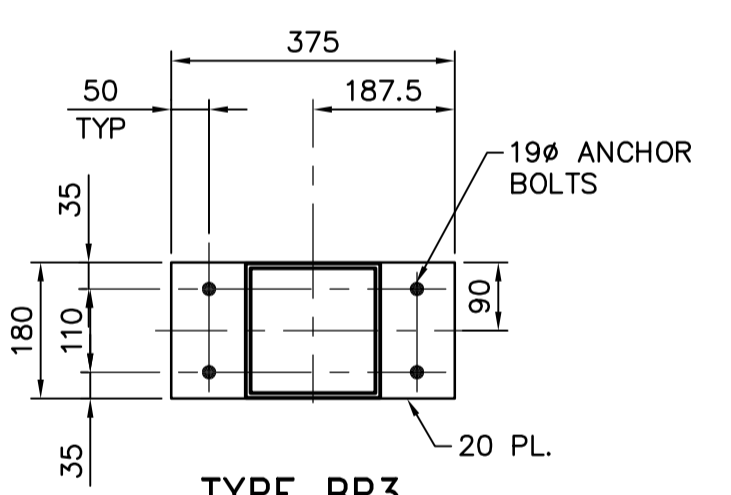
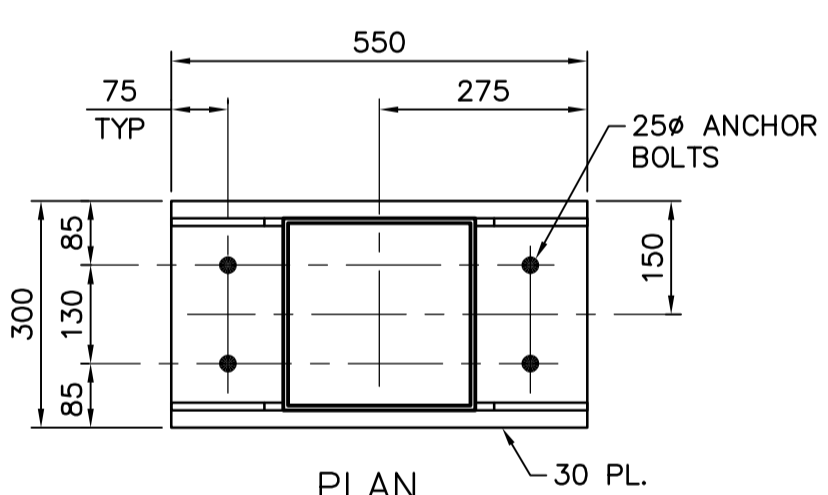


1 SECTION
TS2.04 SCALE 1:10

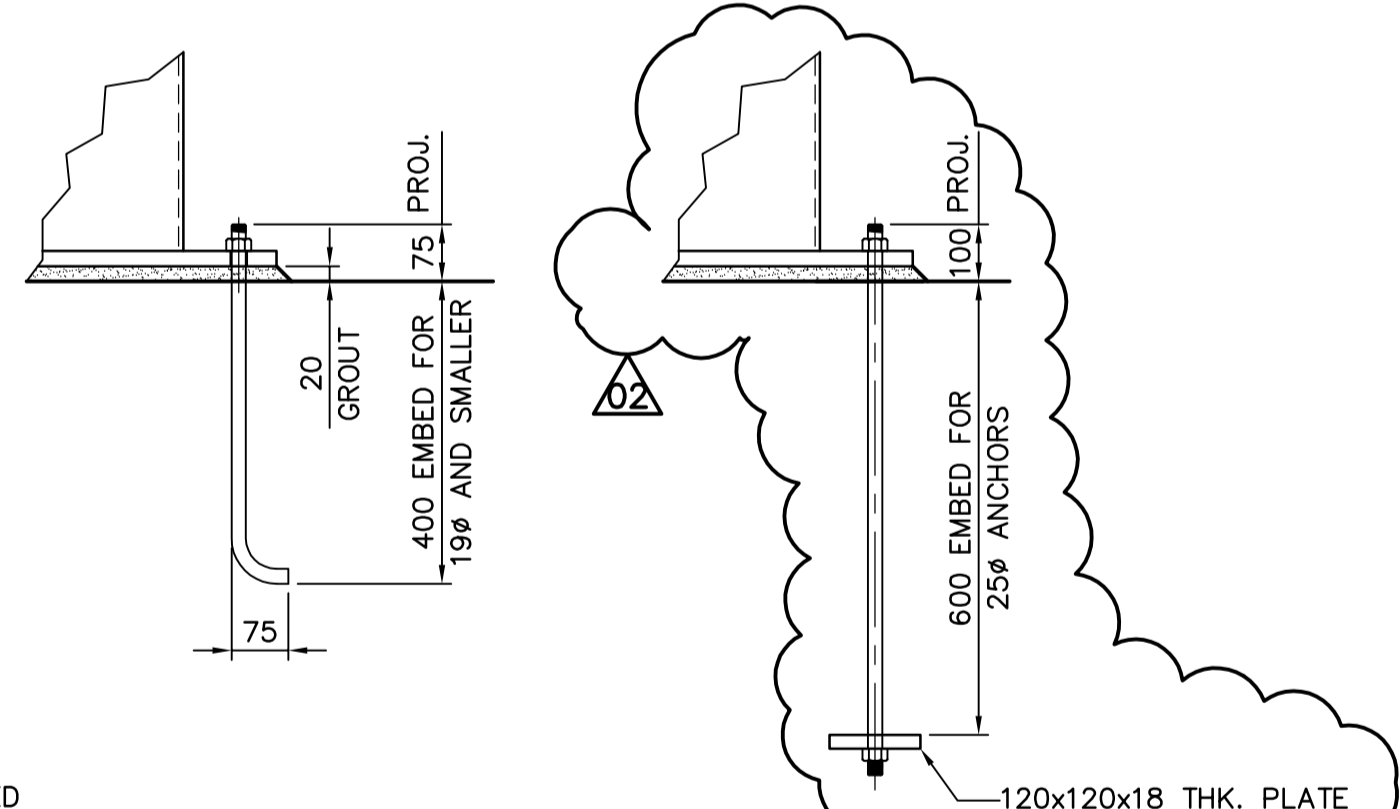


2 SECTION
TS2.05 SCALE 1:10

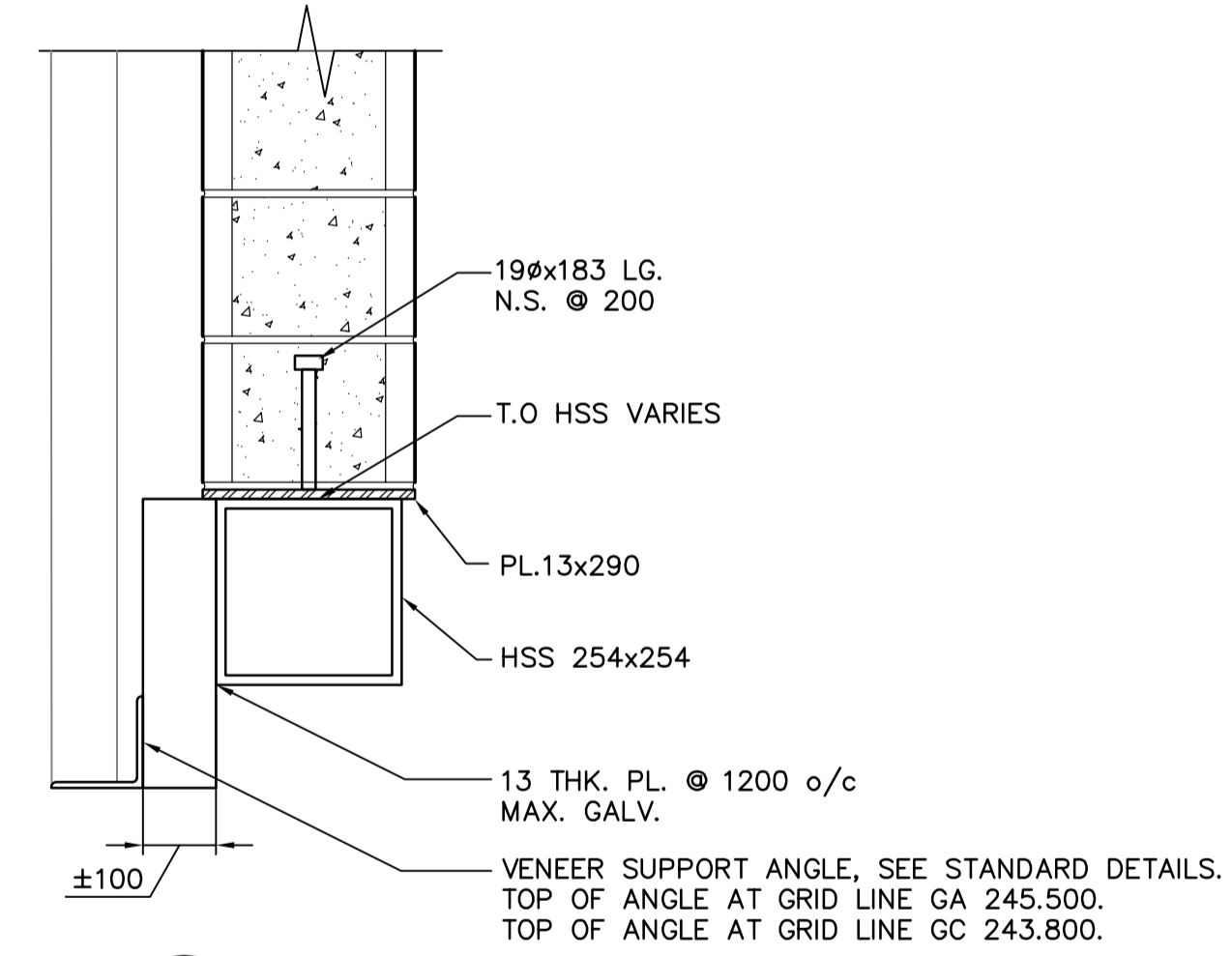
3 SECTION
TS2.05 SCALE 1:10



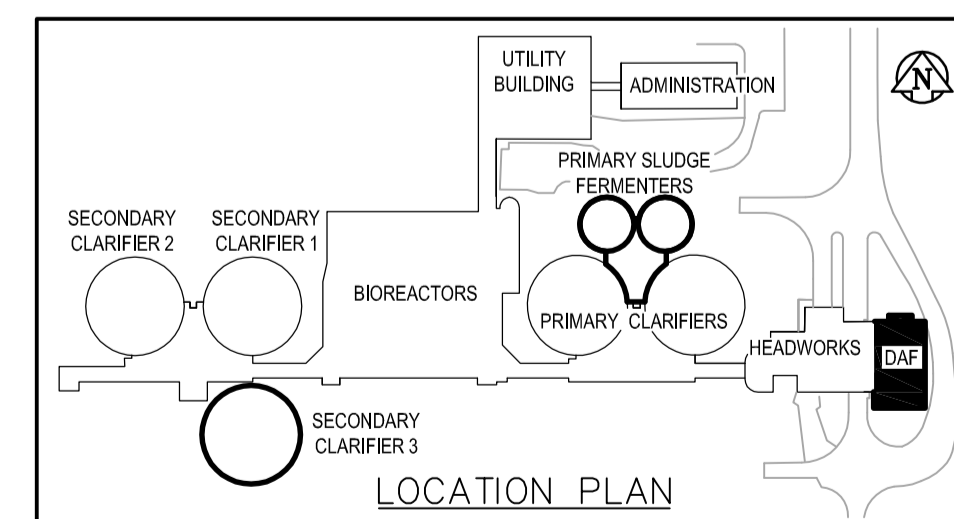
BASE PLATE DETAILS
1:10



ANCHOR BOLT DETAILS
1:10



4 SECTION
TS5.05 SCALE 1:10



LOCATION PLAN

APEGM
Certificate of Authorization
Earth Tech Canada Inc.
No. 730 Expiry: April 30, 2006

<p>A Tyco International Ltd. Company</p>		ENGINEER'S SEAL ORIGINAL SIGNED BY L.L. RIDING 2006/04/26	
DESIGNED BY: ARA	CHECKED BY: LR	DESIGNED BY: NDH	APPROVED BY: JEH
DRAWN BY: NDH	APPROVED BY: JEH	RELEASED FOR CONSTRUCTION BY: J. VEILLEUX	
HOR. SCALE: AS NOTED VERTICAL SCALE:		DATE: 2006/03/13 DATE: 2006/04/26	
NO. REVISIONS		CONSULTANT DRAWING NO. TS5.06	

THE CITY OF WINNIPEG
WATER AND WASTE DEPARTMENT
ENGINEERING DIVISION

WEWPC
BIOLOGICAL NUTRIENT REMOVAL UPGRADE
CONTRACT 3

STRUCTURAL
AREA T - DAF THICKENER BUILDING
SECTIONS AND DETAILS

CITY FILE NUMBER
SHEET OF
CITY DRAWING NUMBER