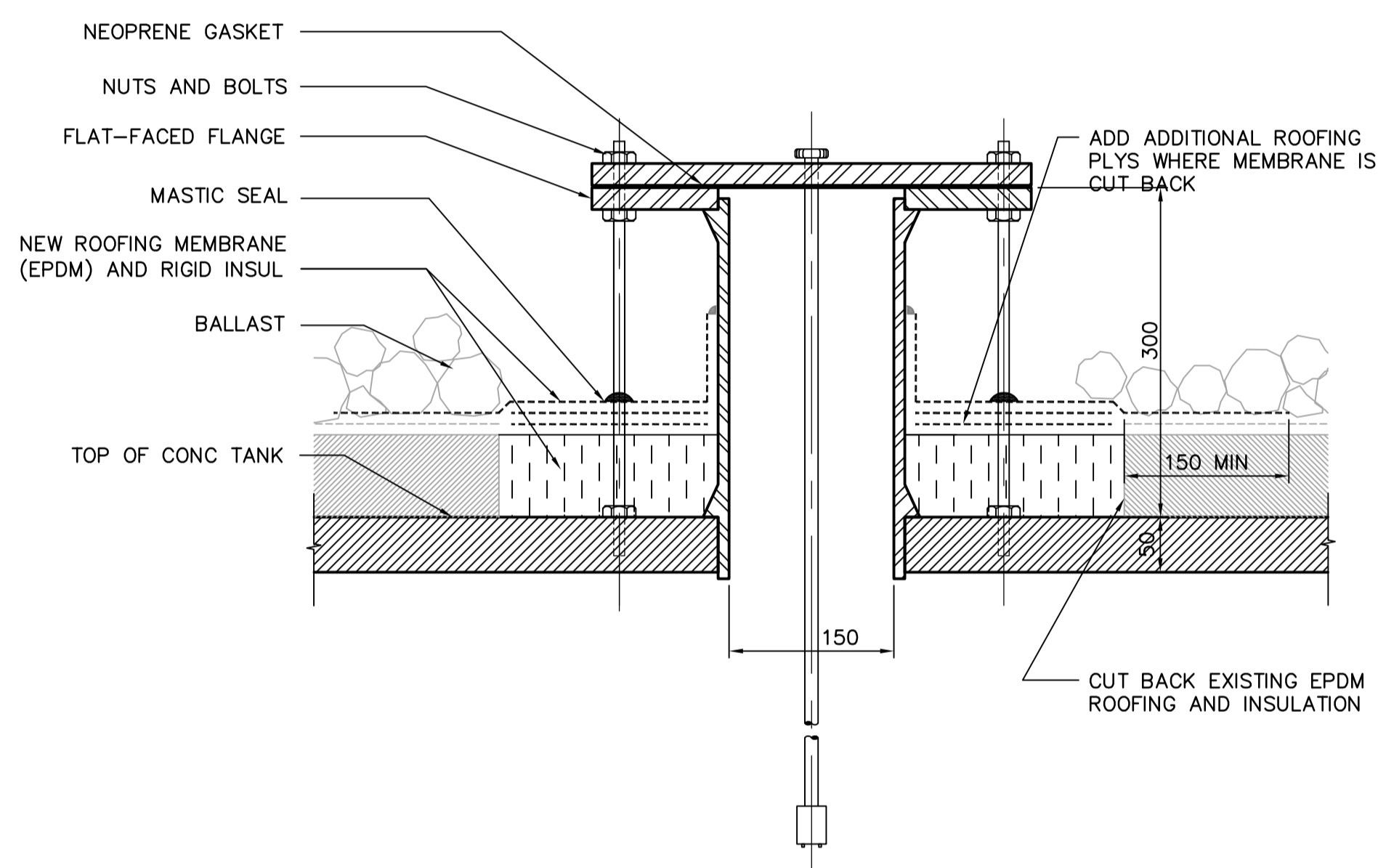
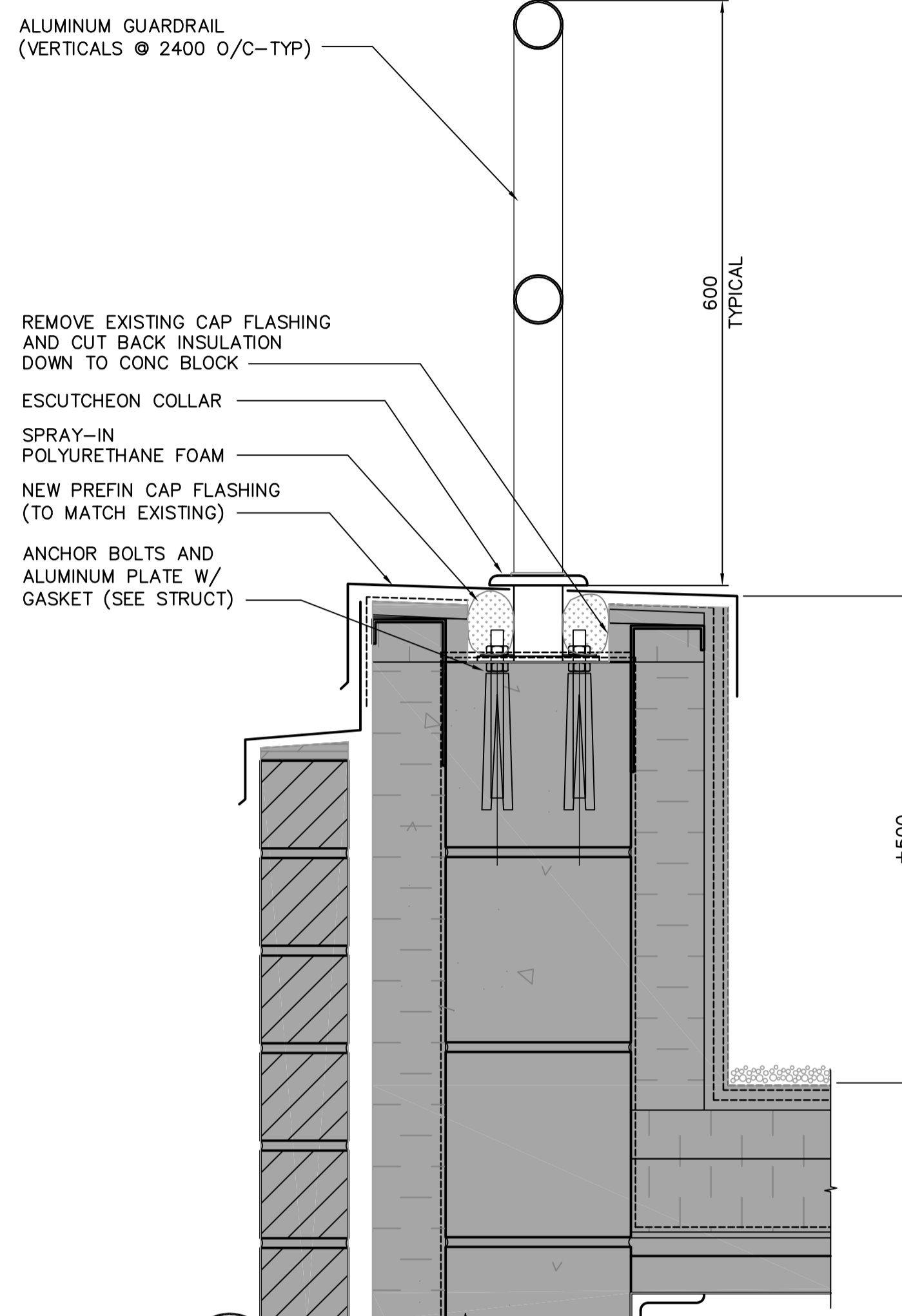


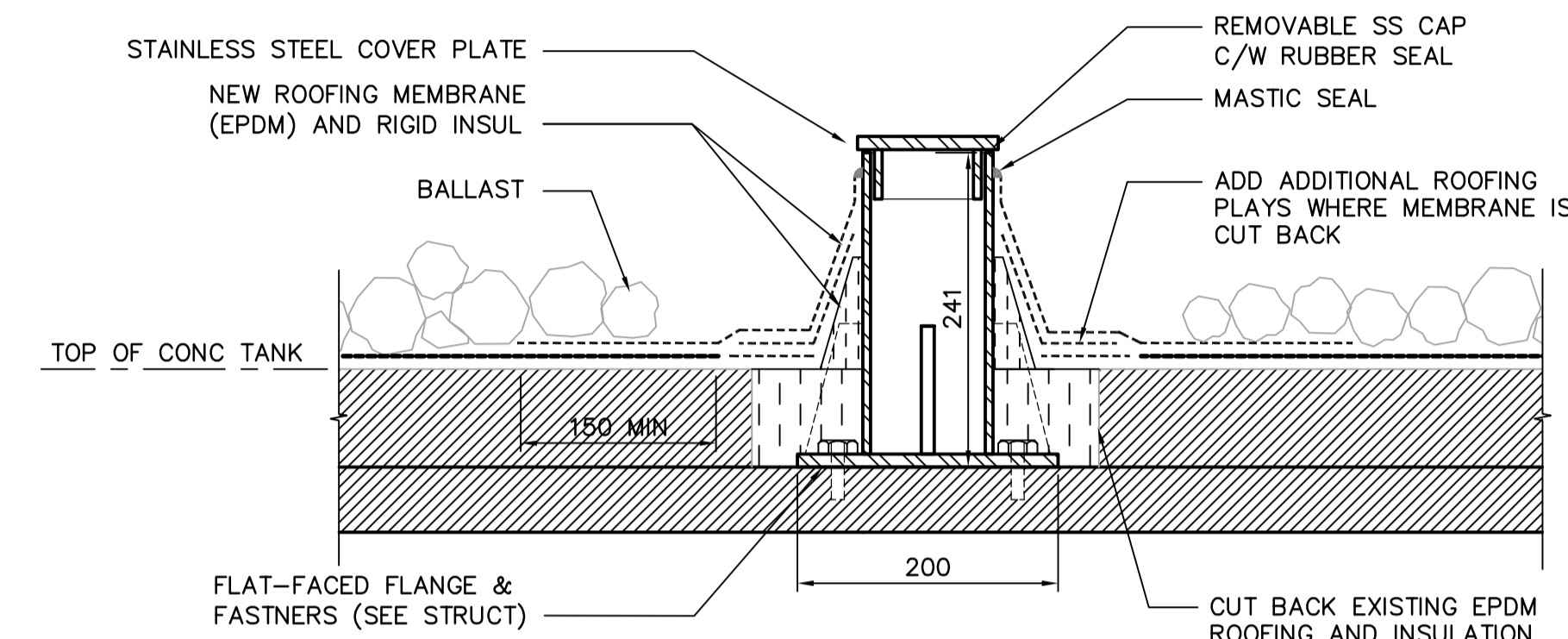
1 TYPICAL ACCESS HATCH SECTION
SA5.03 SCALE 1:10



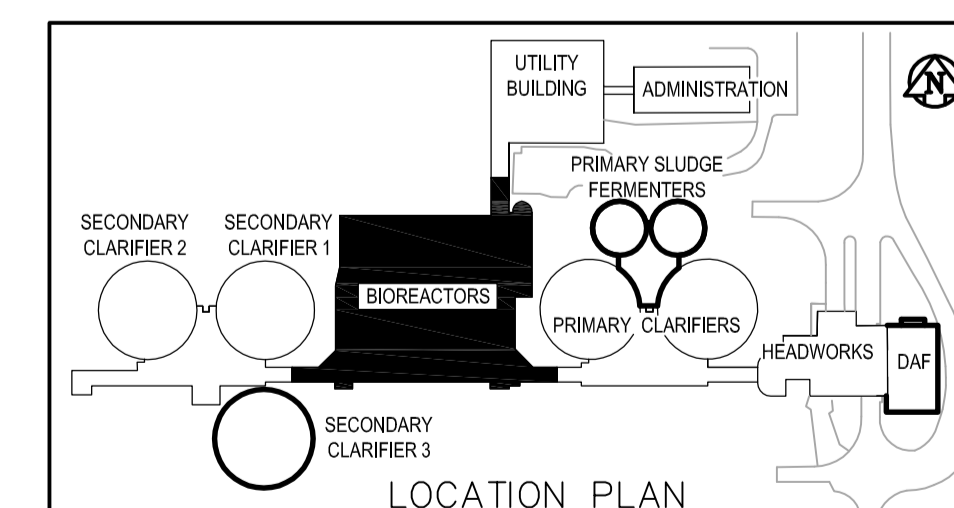
2 TYPICAL OXYGEN PROBE SECTION
SA5.03 SCALE 1:5



3 TYPICAL GUARDRAIL SECTION
SA5.01 SCALE 1:5



4 TYPICAL DAVIT CRANE SLEEVE SECTION
SCALE 1:5



<p>EarthTech A Tyco International Ltd. Company</p>				<p>ENGINEER'S SEAL</p> <p>ORIGINAL SIGNED BY N. COOPER</p> <p>DATE 2006/05/25</p>		<p>THE CITY OF WINNIPEG WATER AND WASTE DEPARTMENT ENGINEERING DIVISION</p>	
<p>DESIGNED BY: NC</p> <p>CHECKED BY: NC</p> <p>DRAWN BY: LK/AL</p> <p>APPROVED BY: JEH</p>				<p>CONSULTANT DRAWING NO. SA5.02</p>		<p>WEWPC BIOLOGICAL NUTRIENT REMOVAL UPGRADE CONTRACT No. 3</p>	
<p>HOR. SCALE: AS NOTED</p> <p>VERTICAL SCALE:</p>				<p>RELEASED FOR CONSTRUCTION BY: J. VEILLEUX</p>		<p>CITY FILE NUMBER</p> <p>SHEET OF</p> <p>CITY DRAWING NUMBER</p>	
<p>NO. REVISIONS</p>				<p>DATE</p>		<p>ARCHITECTURAL AREA S - BIOREACTORS DETAILS</p>	
<p>DATE</p>				<p>DATE</p>		<p>2006/05/16</p> <p>2006/05/25</p>	