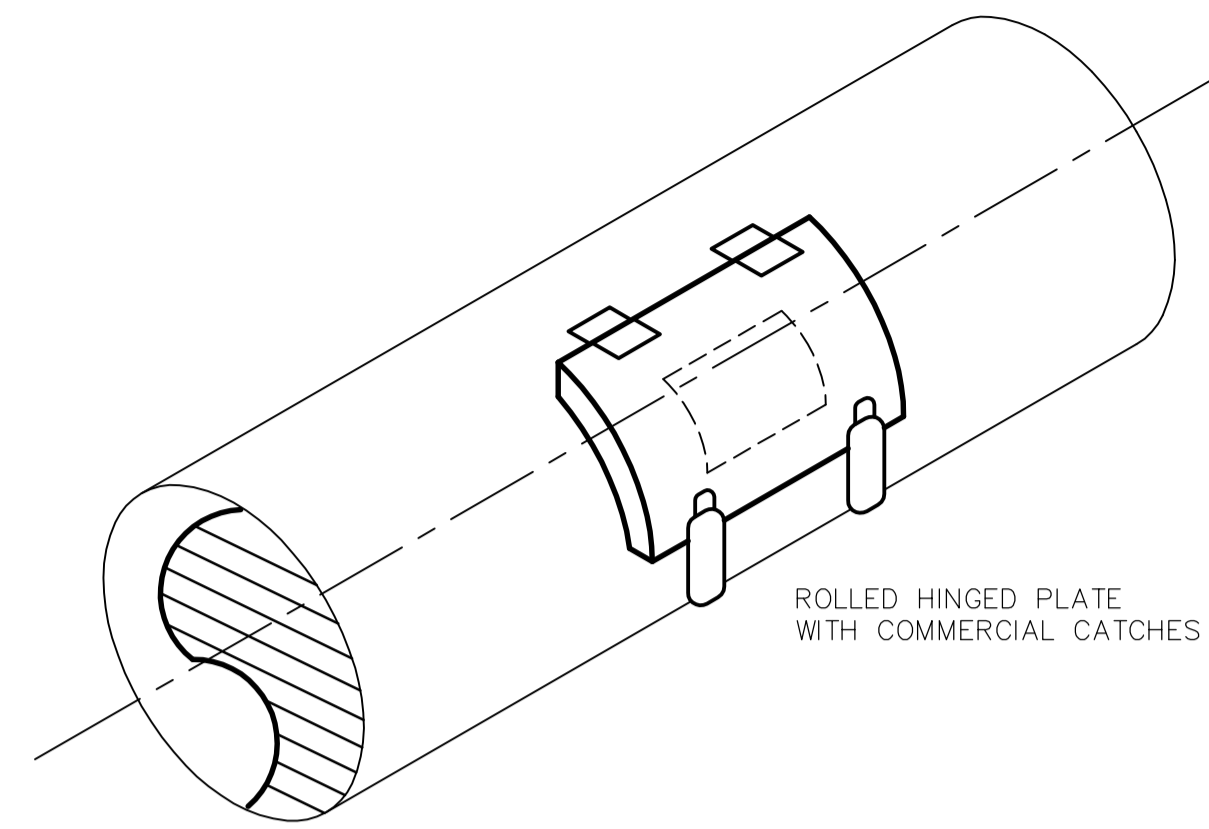
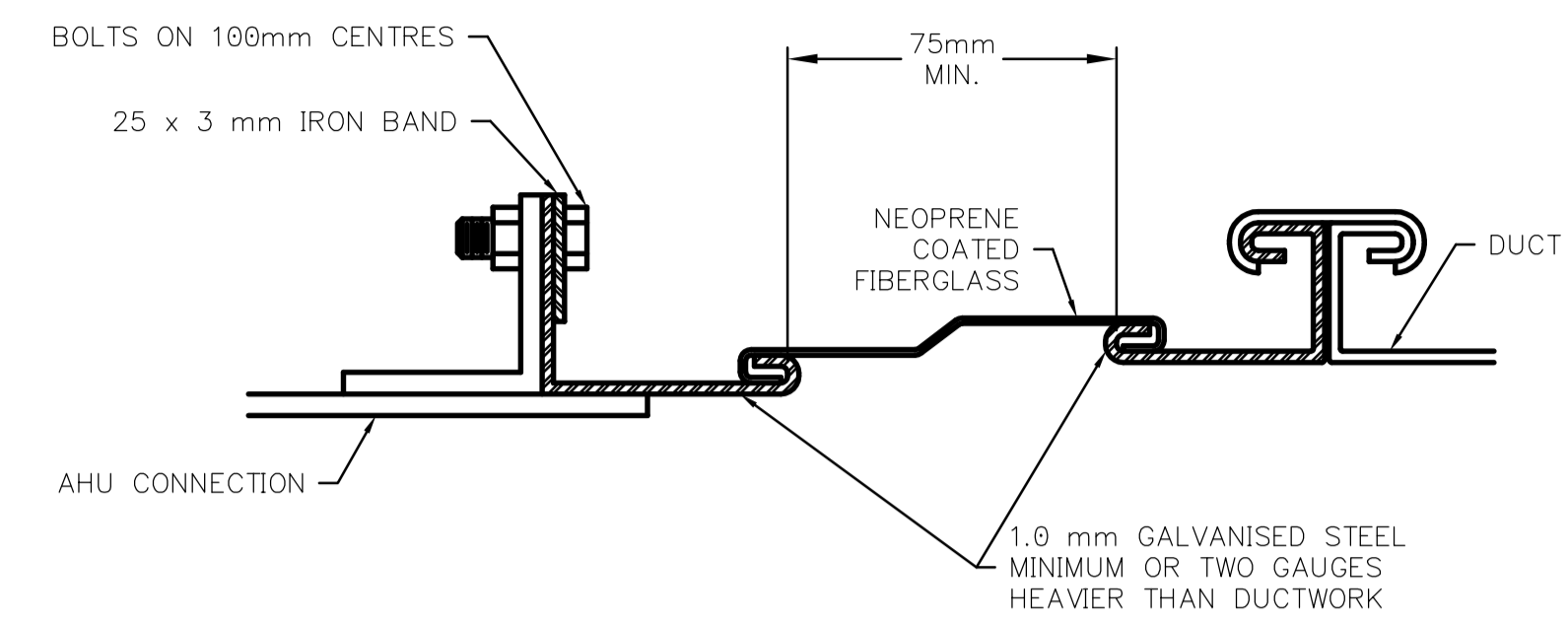


1 DUCT SUPPORTS FROM WALL DETAIL
LM3.02 SCALE N.T.S.

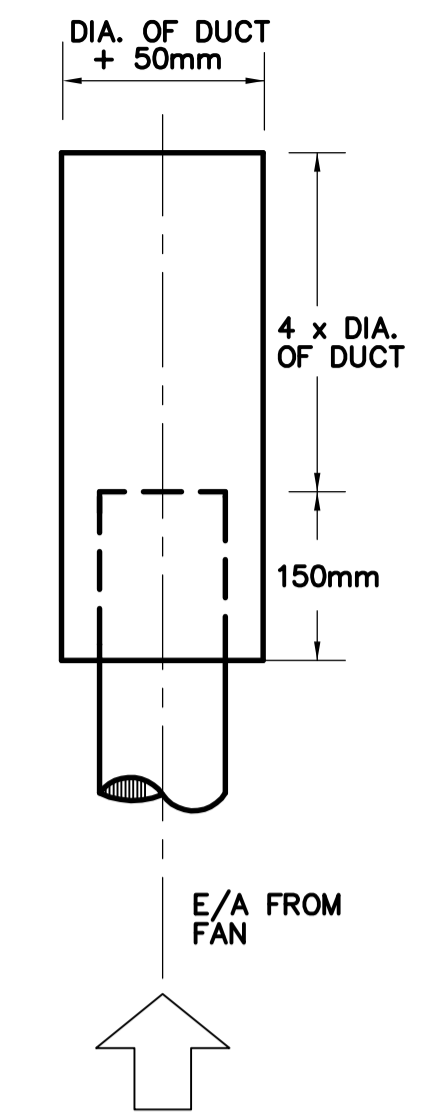
NOTE:
1) BRACKETS ARE SIZED FOR 3600mm OF DUCT MAX
2) LOCATE DUCTS AGAINST WALL OR MAX OF 50mm AWAY FROM WALL
3) EACH WALL ANCHOR SHALL SATISFY THE FOLLOWING:
A. TENSILE LOAD = 9 x DUCT WEIGHT; SAFETY FACTOR OF 4
B. SHEAR LOAD = 15 x DUCT WEIGHT; SAFETY FACTOR OF 4
4) SECURE WITH APPROVED ANCHORS TO MATCH WALL CONSTRUCTION



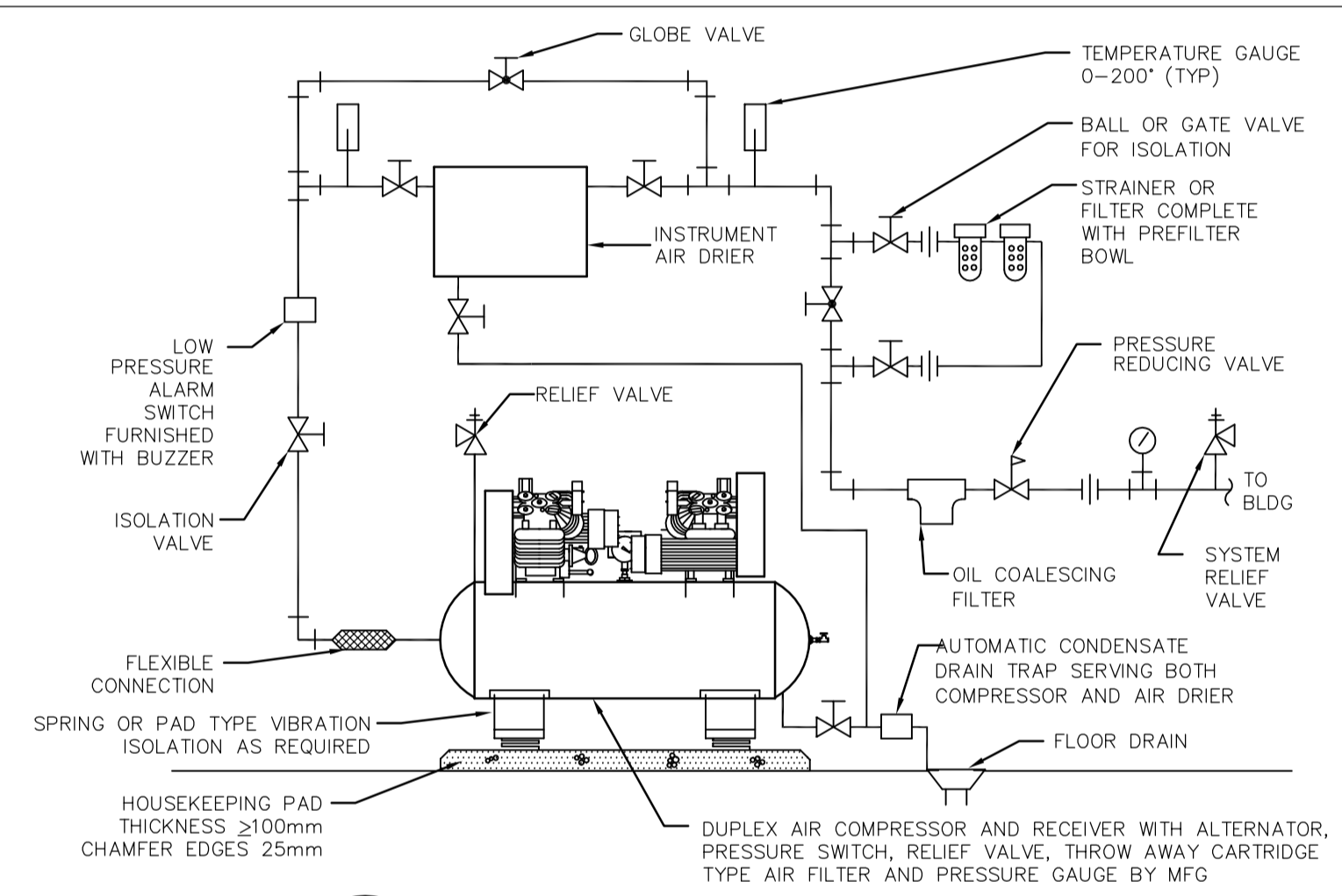
2 ACCESS DOOR - ROUND DUCT
LM3.02 SCALE N.T.S.



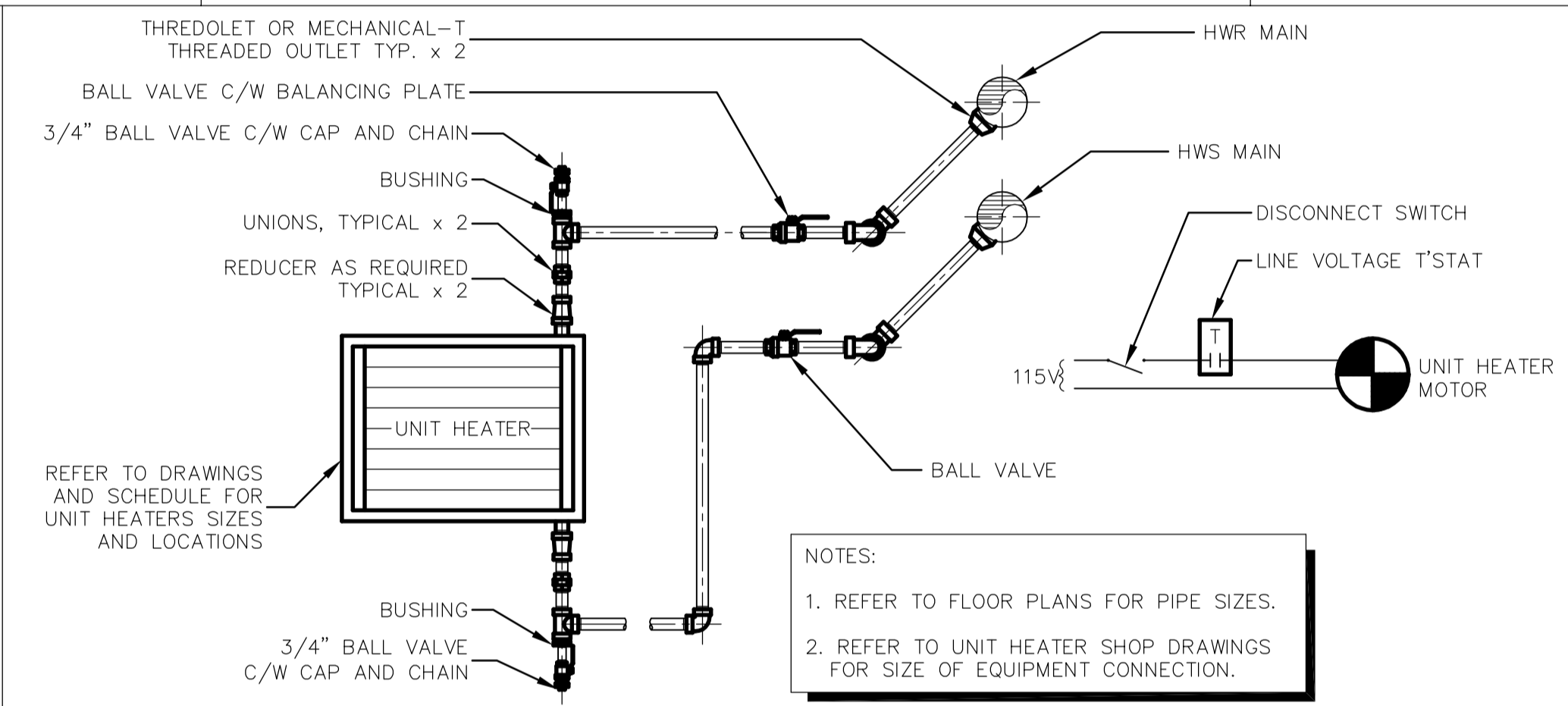
3 FLEXIBLE DUCT FAN CONNECTION DETAIL
LM3.02 SCALE N.T.S.



4 EXHAUST STACK DETAIL
LM3.02 SCALE N.T.S.

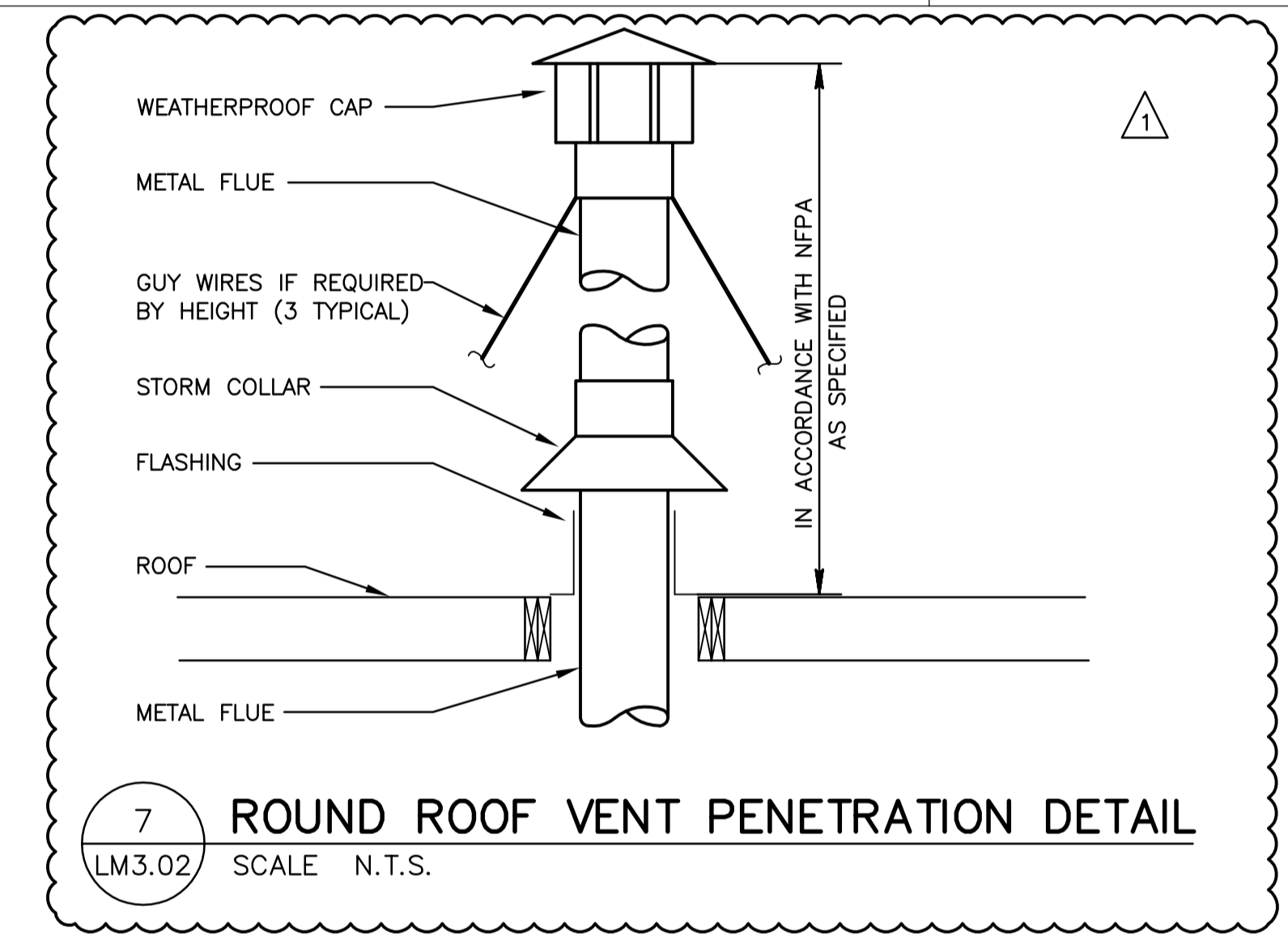


5 AIR COMPRESSOR DETAIL
LM3.02 SCALE N.T.S.

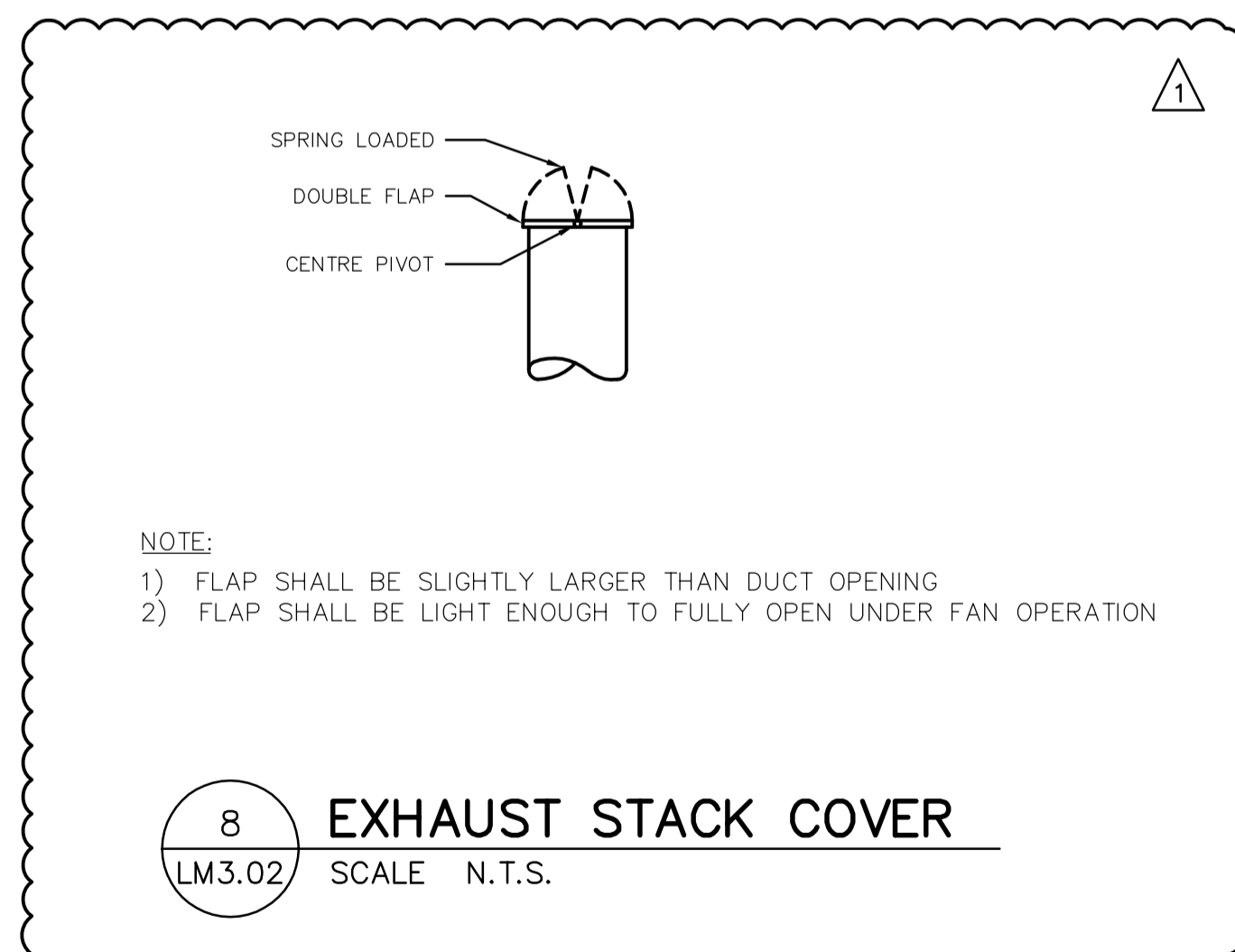


6 TYPICAL UNIT HEATER DETAIL
LM3.02 SCALE N.T.S.

NOTES:
1. REFER TO FLOOR PLANS FOR PIPE SIZES.
2. REFER TO UNIT HEATER SHOP DRAWINGS FOR SIZE OF EQUIPMENT CONNECTION.



7 ROUND ROOF VENT PENETRATION DETAIL
LM3.02 SCALE N.T.S.



8 EXHAUST STACK COVER
LM3.02 SCALE N.T.S.

NOTE:
1) FLAP SHALL BE SLIGHTLY LARGER THAN DUCT OPENING
2) FLAP SHALL BE LIGHT ENOUGH TO FULLY OPEN UNDER FAN OPERATION



B.M. ELEV.	NO.	REVISIONS	DATE	BY
	01	21-2006 ADDENDUM 6	06/06/30	DC
	00	ISSUED FOR TENDER	06/04/26	DC

EarthTech A Tyco International Ltd. Company			
DESIGNED BY	PT/DC	CHECKED BY	PVL
DRAWN BY	DC	APPROVED BY	JEH
HOR. SCALE:	N.T.S.	RELEASED FOR CONSTRUCTION BY:	J. VEILLEUX
VERTICAL SCALE:		DATE	2005/12/12
DATE	2006/04/26	DATE	2006/04/26

ENGINEER'S SEAL
ORIGINAL SIGNED BY
A. BURACHYNSKY
2006/04/26
CONSULTANT DRAWING NO.
LM3.02

THE CITY OF WINNIPEG
WATER AND WASTE DEPARTMENT
ENGINEERING DIVISION

WEPCC
BIOLOGICAL NUTRIENT REMOVAL UPGRADE
CONTRACT 3

CITY FILE NUMBER
SHEET OF
CITY DRAWING NUMBER

MECHANICAL
AREA L - GENERAL AND SITEWORKS
VENTILATION STANDARD DETAILS