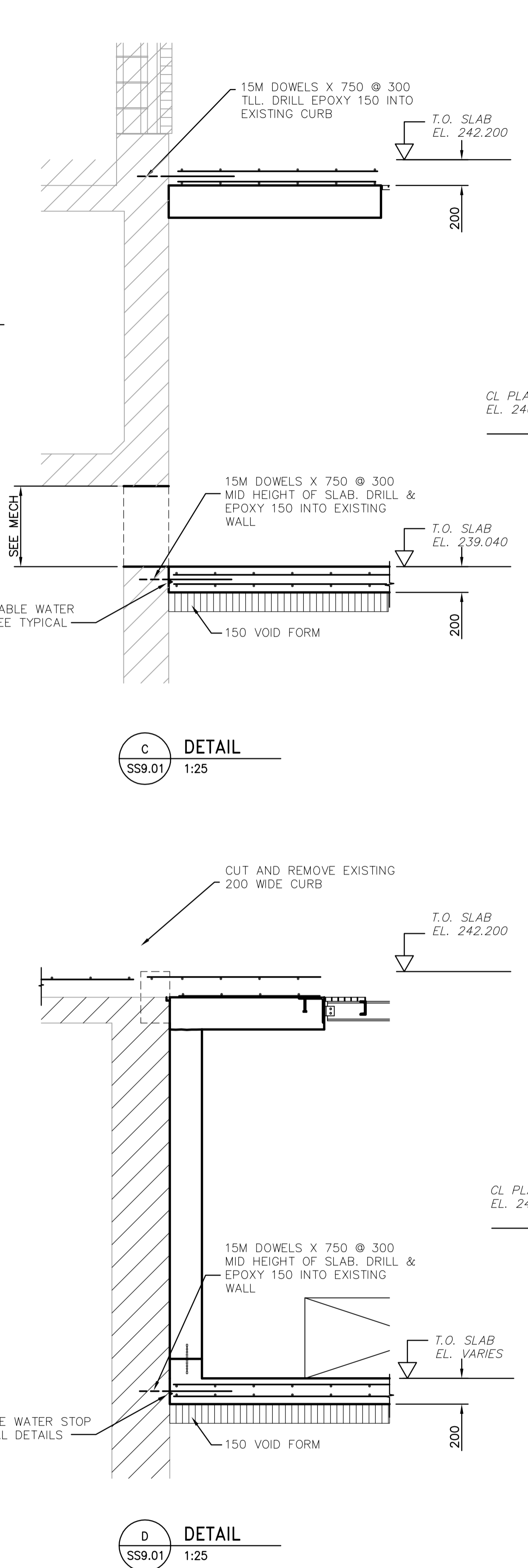
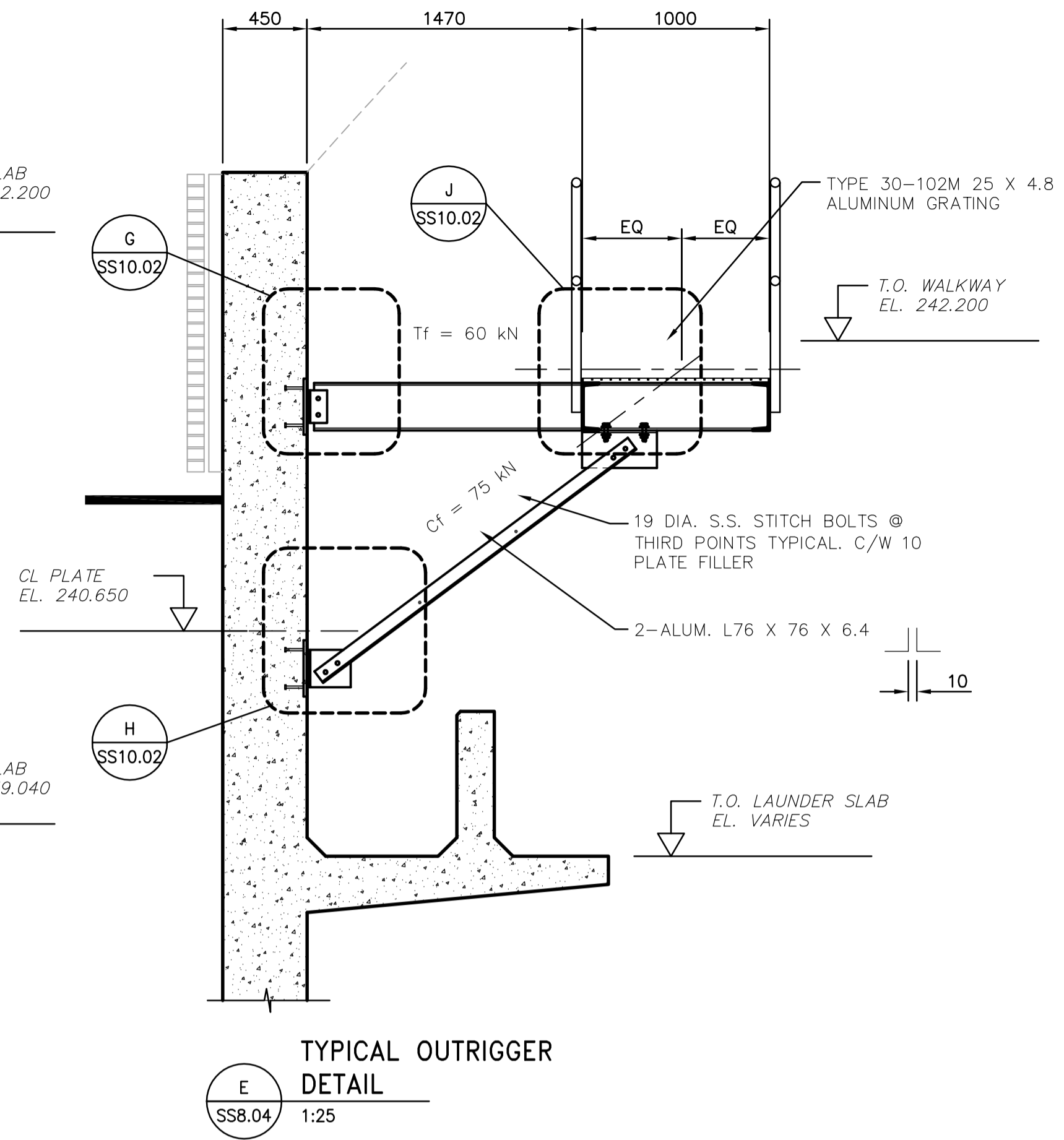


A DETAIL
SS9.01 1:25

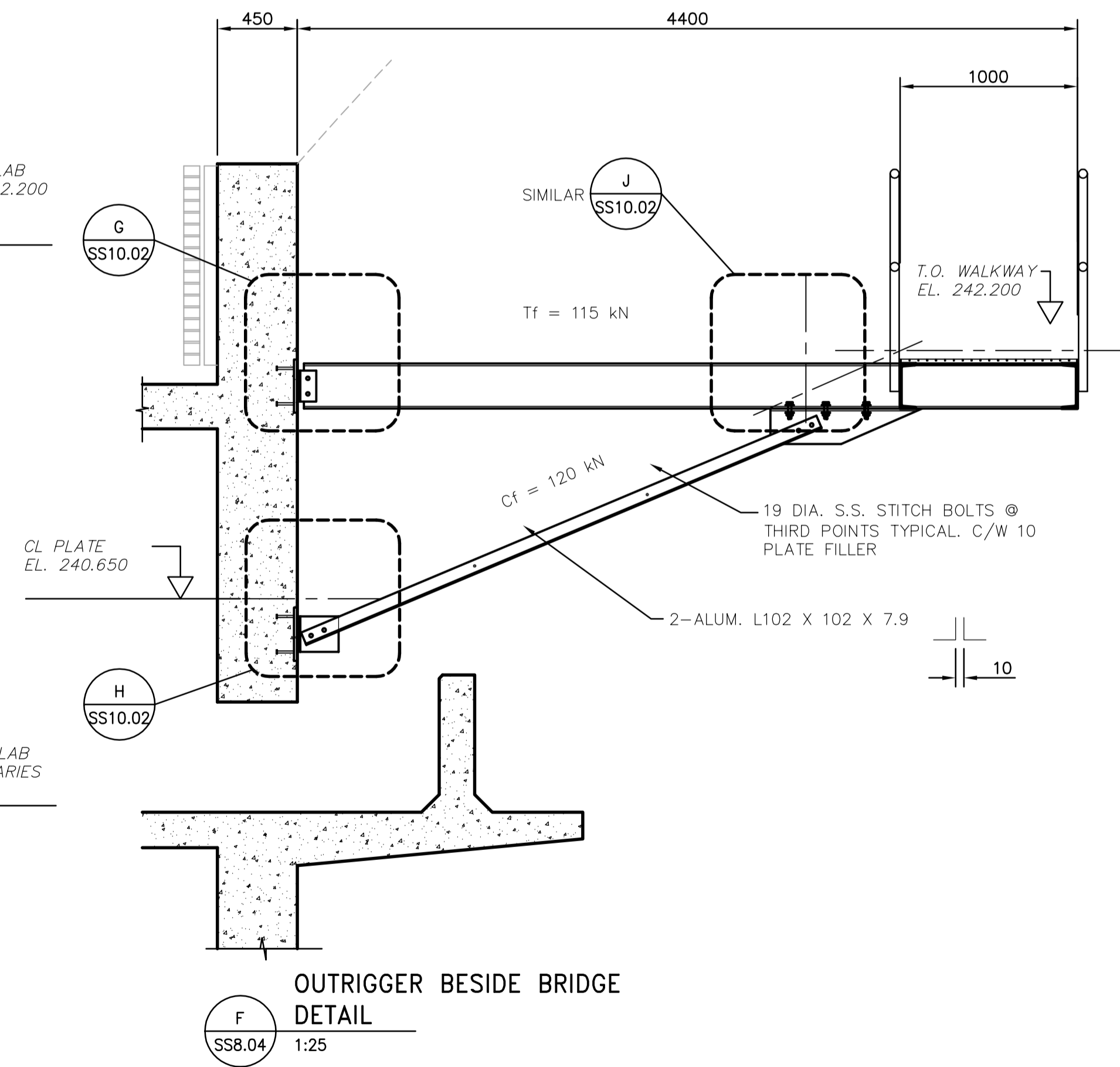


C DETAIL
SS9.01 1:25

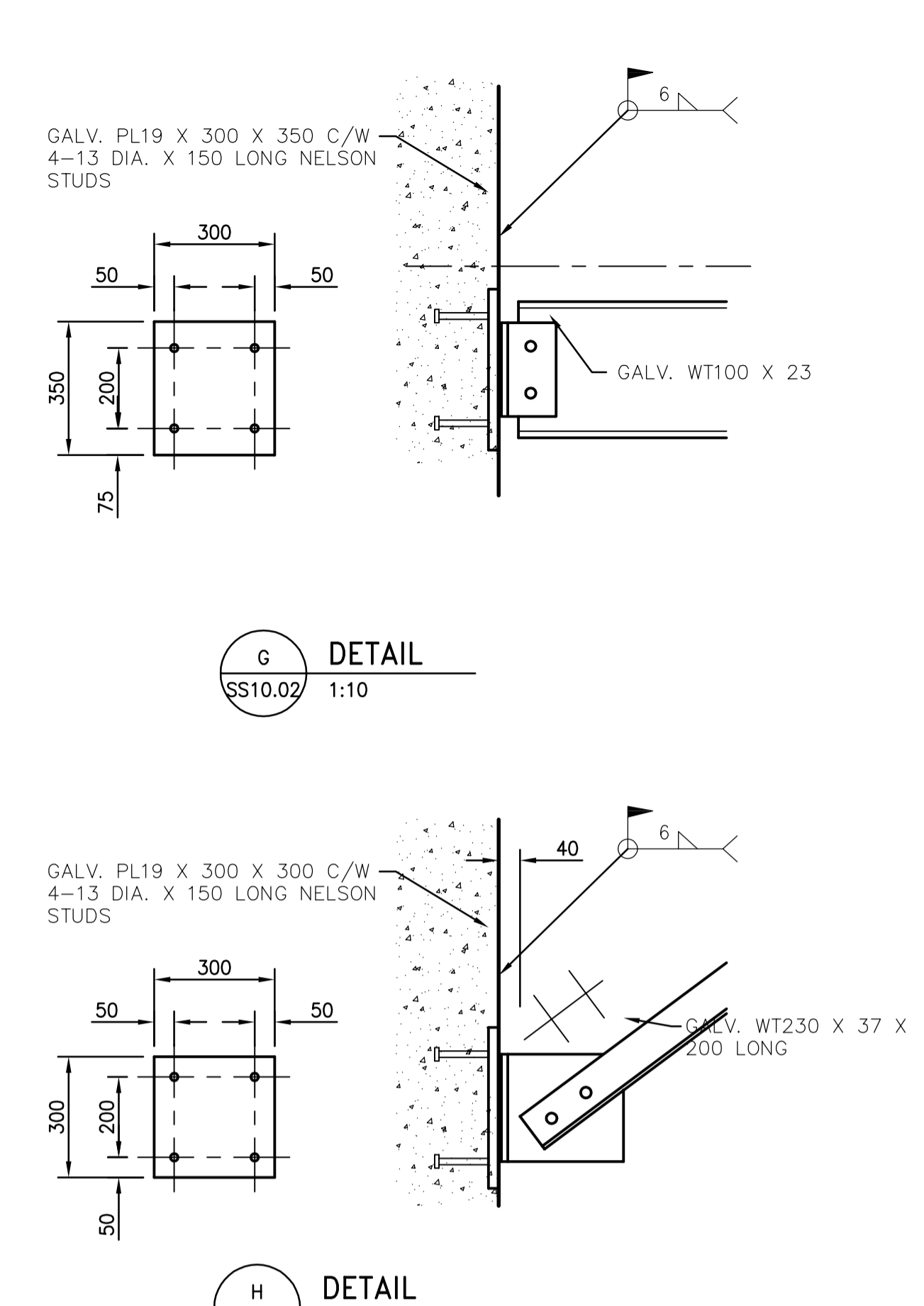
D DETAIL
SS9.01 1:25



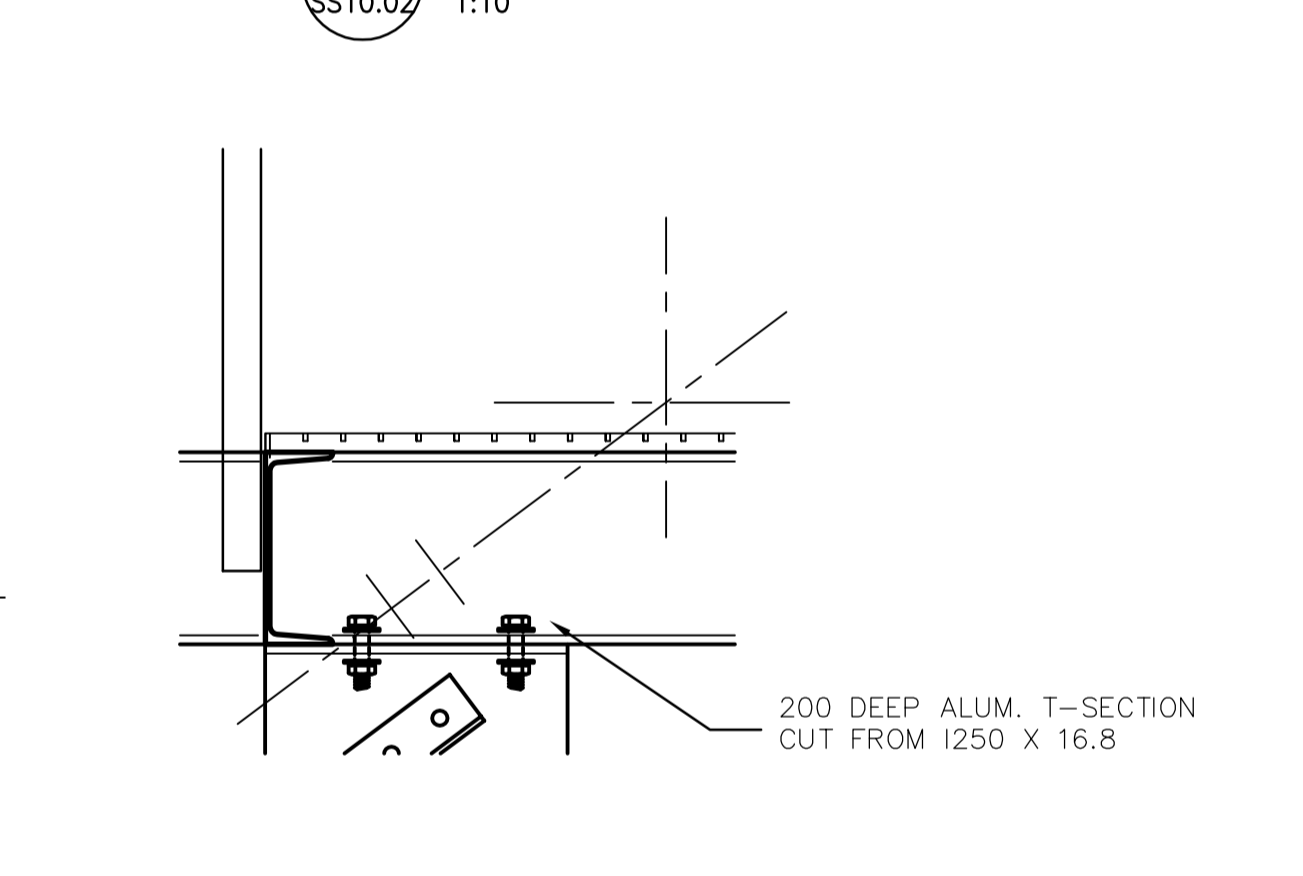
E TYPICAL OUTRIGGER DETAIL
SS8.04 1:25



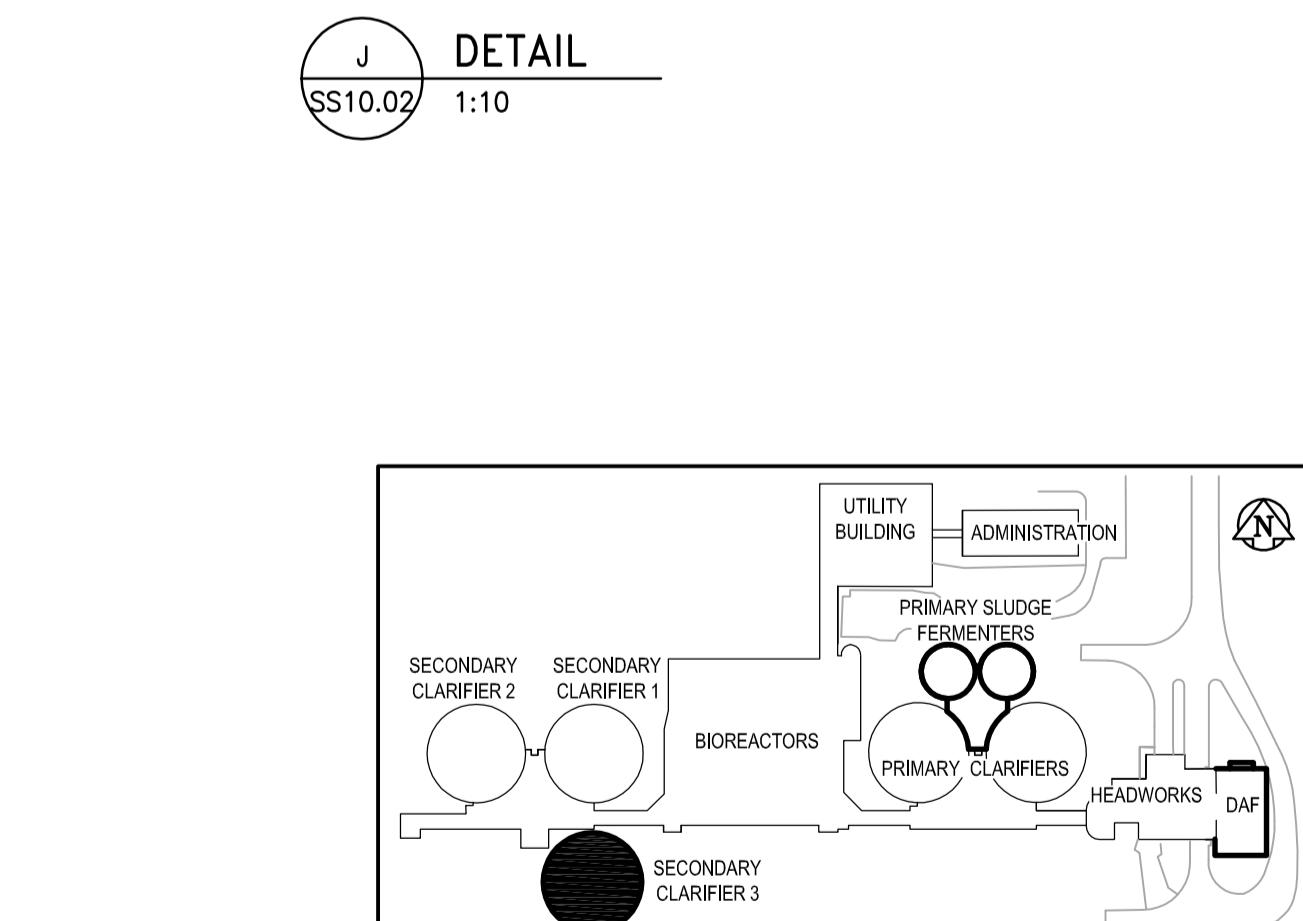
F OUTRIGGER BESIDE BRIDGE DETAIL
SS8.04 1:25



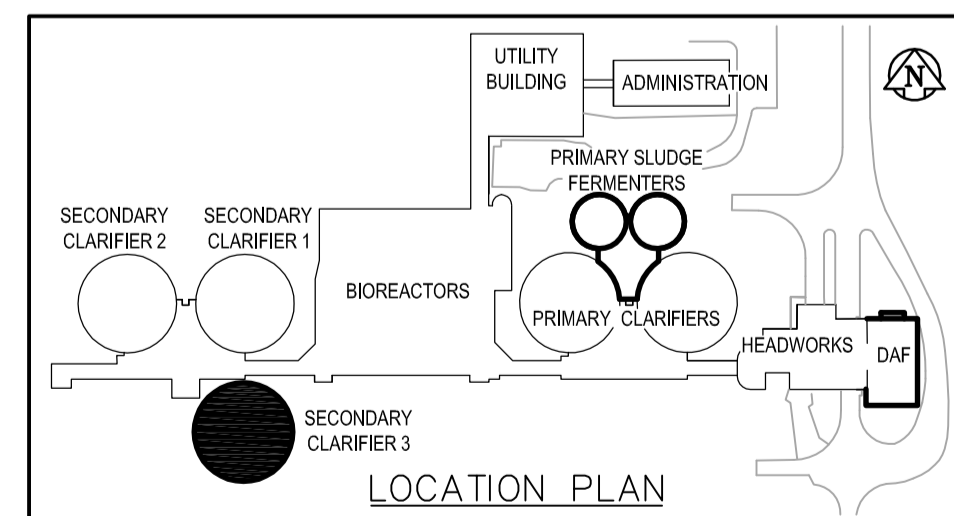
G DETAIL
SS10.02 1:10



H DETAIL
SS10.02 1:10



J DETAIL
SS10.02 1:10



B.M. ELEV.		 A Tyco International Ltd. Company		ENGINEER'S SEAL		 THE CITY OF WINNIPEG WATER AND WASTE DEPARTMENT ENGINEERING DIVISION	
				ORIGINAL SIGNED BY C.J. GENTILE			
DESIGNED BY CG		CHECKED BY CJG		2006/04/25		CITY FILE NUMBER	
DRAWN BY NV		APPROVED BY JEH		CONSULTANT DRAWING NO. SS10.02		SHEET OF	
01 21-2006 ADDENDUM 3 06/05/19 NS		HOR. SCALE: AS NOTED		RELEASED FOR CONSTRUCTION BY: J. VEILLEUX		CITY DRAWING NUMBER	
00 ISSUE FOR TENDER 06/04/26 NV		VERTICAL SCALE:				STRUCTURAL AREA S - SECONDARY CLARIFIER 3 SECTIONS AND DETAILS	
NO. REVISIONS		DATE 2006/03/10		DATE 2006/04/26			