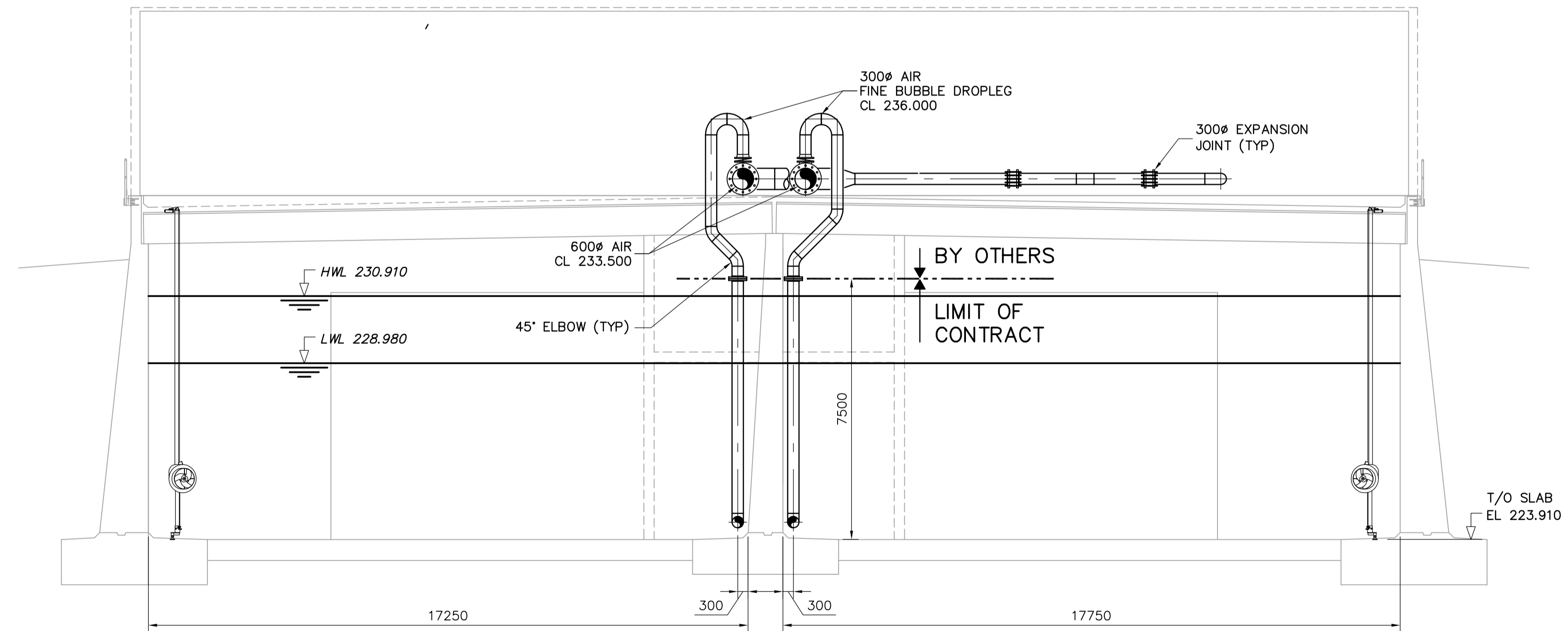


**A** SECTION  
A2.01 SCALE 1:100



**B** SECTION  
A2.01 SCALE 1:100

B.M. ELEV.		<p><b>EarthTech</b> A Tyco International Ltd. Company</p>		ENGINEER'S SEAL		<p><b>THE CITY OF WINNIPEG</b> WATER AND WASTE DEPARTMENT ENGINEERING DIVISION</p>	
				<p>DESIGNED BY: YL</p> <p>CHECKED BY:</p> <p>DRAWN BY: SRP</p> <p>APPROVED BY:</p> <p>SCALE: 1:125</p> <p>RELEASED FOR CONSTRUCTION BY:</p>		<p><b>PRELIMINARY</b> NOT FOR CONSTRUCTION</p>	
NO. REVISIONS		DATE		DATE		CITY FILE NUMBER	
		DATE		DATE		SHEET OF	
		DATE		DATE		CITY DRAWING NUMBER	
		DATE		DATE		PROCESS TANKS SECTIONS	
		DATE		DATE		CONSULTANT DRAWING NO. A3.01	