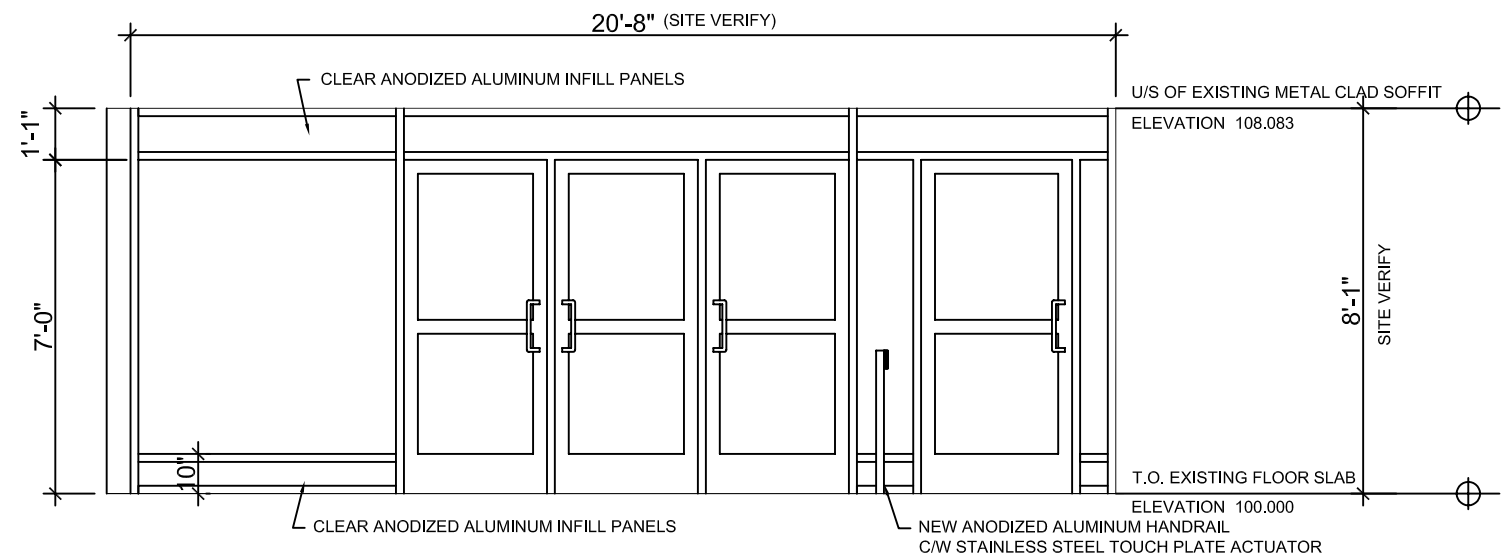


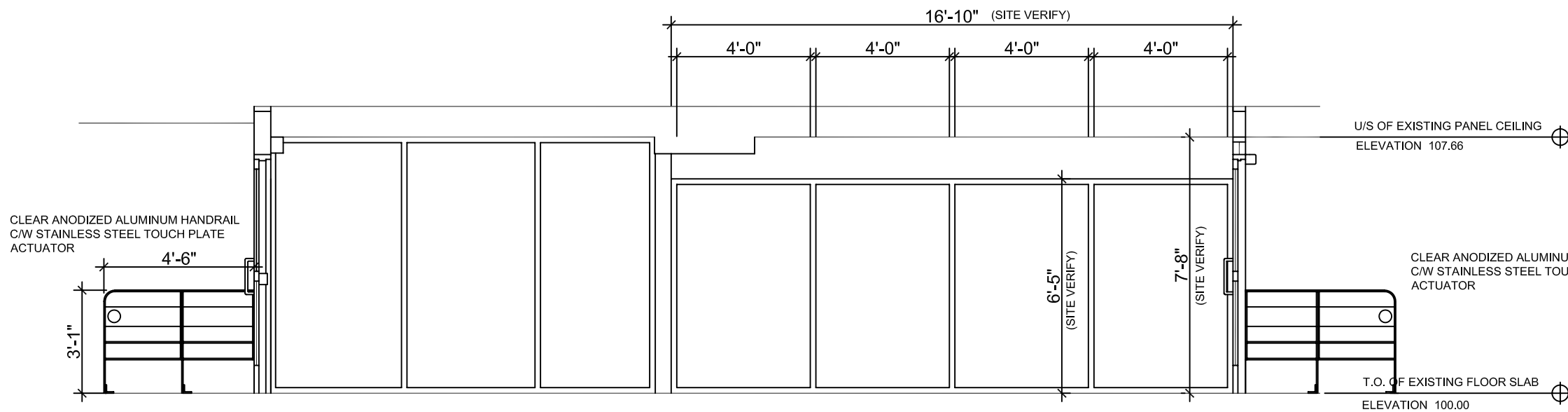
SOUTH ELEVATION OF VESTIBULE DOORS

NOT TO SCALE



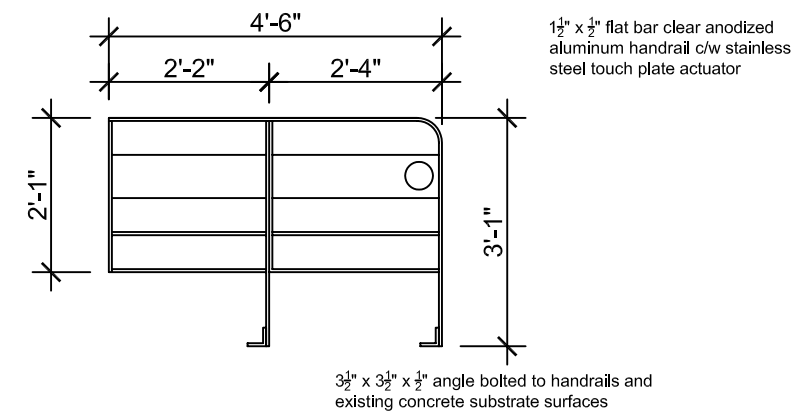
SOUTH ELEVATION OF EXTERIOR ENTRY/EXIT

NOT TO SCALE



WEST ELEVATION OF VESTIBULE RETURN WALL

NOT TO SCALE



<p>PAN AM POOL 25 POSEIDON BAY WINNIPEG, MANITOBA</p>		<p>A3</p>
<p>DATE: APRIL 10, 2006</p>	<p>SCALE: NTS</p>	
<p>ELEVATIONS</p>		

<p>Winnipeg <i>Embrace the Spirit • Vivez l'esprit</i></p>	<p>THE CITY OF WINNIPEG PUBLIC WORKS DEPARTMENT BUILDING SERVICES DIVISION 100 MAIN STREET WINNIPEG, MANITOBA R3C 1A4 PHONE: (204) 986-7266 FAX: (204) 986-7311</p>
---	---