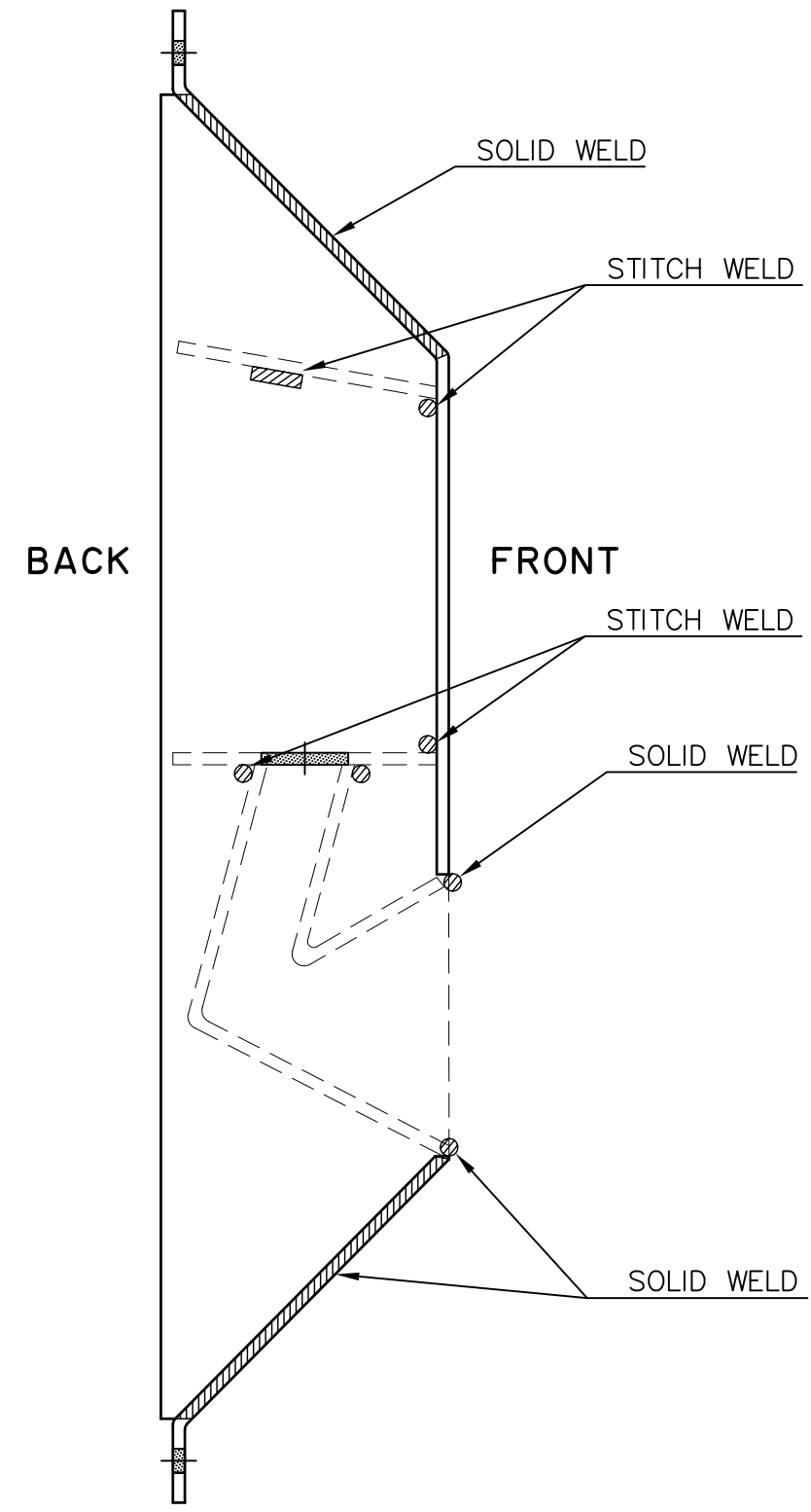
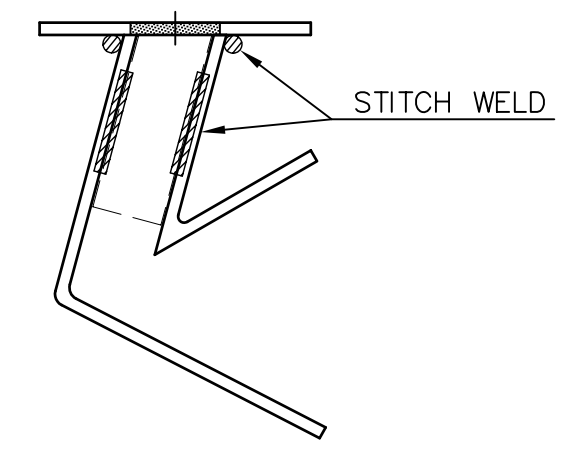


FRONT VIEW AUDIBLE BOX




SIDE VIEW AUDIBLE BOX



HORN SIDE VIEW

5 WELDING
(MIG OR TIG)

<table border="1"> <thead> <tr> <th>NO.</th> <th>REVISIONS</th> <th>DATE</th> <th>BY</th> </tr> </thead> <tbody> <tr><td> </td><td> </td><td> </td><td> </td></tr> <tr><td> </td><td> </td><td> </td><td> </td></tr> <tr><td> </td><td> </td><td> </td><td> </td></tr> </tbody> </table>	NO.	REVISIONS	DATE	BY													REFERENCE SPEC. NO. DESIGNED BY DRAWN BY KR APPROVED BY KWLK 06/02/14	CHECKED BY SCALE N.T.S. DATE	ENGINEER'S SEAL	 THE CITY OF WINNIPEG PUBLIC WORKS DEPARTMENT TRANSPORTATION DIVISION	SHEET 6 OF 6 CAD FILE DRAWING NUMBER CITY DRAWING NUMBER ST-174
	NO.	REVISIONS	DATE	BY																	
WELDING																					