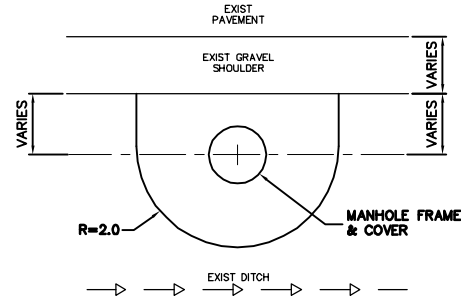
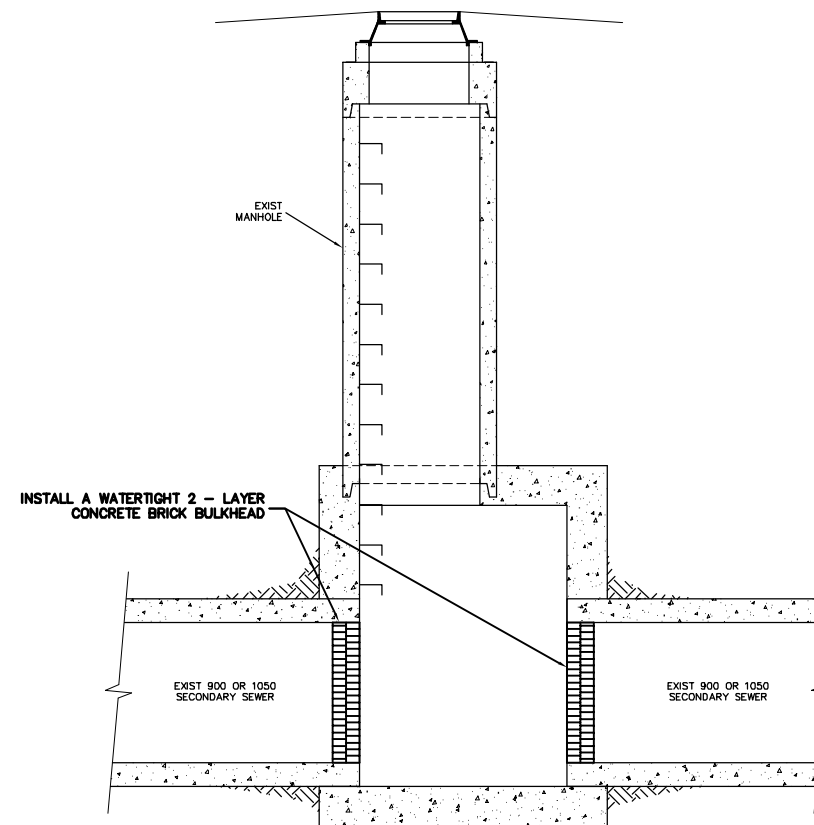


PROFILE VIEW

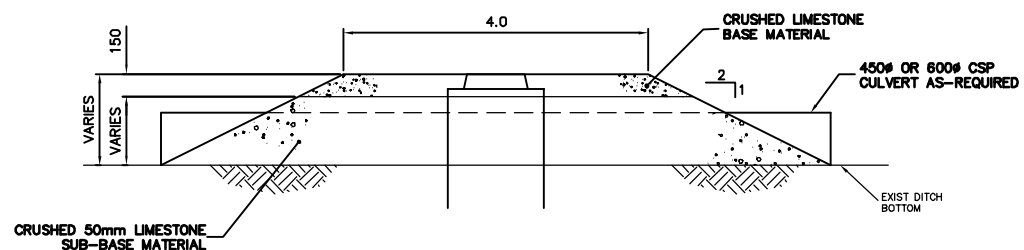


PLAN VIEW

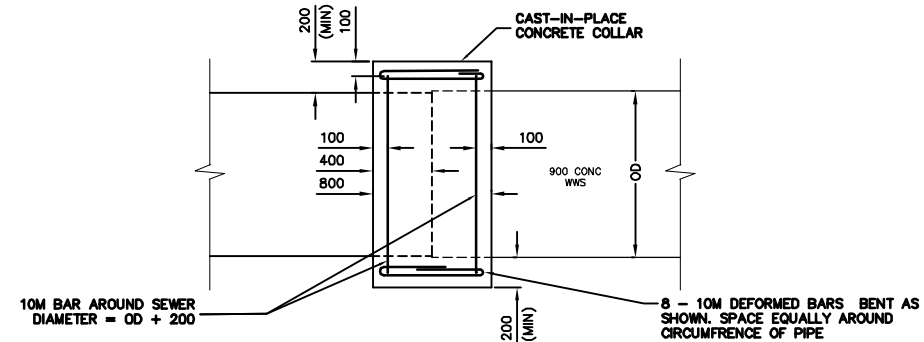
DETAIL "A"
MANHOLE APPROACH
NTS



DETAIL "C"
PLUGGING OF EXISTING SECONDARY SEWER
NTS



DETAIL "B"
MANHOLE APPROACH C/W CULVERT
NTS



DETAIL "D"
REINFORCED CONCRETE COLLAR
SCALE 1:25

METRIC
WHOLE NUMBERS INDICATE MILLIMETRES
DECIMALIZED NUMBERS INDICATE METRES

200 WM	WATERMAIN	200 WM	SL, HYDRO	150 WM	WATERMAIN	150 WM
⊕	HYDRANT	⊕	MTS	+	HYDRANT	+
⊙	VALVE	⊙	TRAFFIC SIGNALS	⊗	VALVE	⊗
525 LDS	LAND DRAINAGE SEWER	525 LDS	50 GAS	300 LDS	LAND DRAINAGE SEWER	300 LDS
375 WWS	WASTEWATER SEWER	375 WWS	50 GAS	250 WWS	WASTEWATER SEWER	250 WWS
○	MANHOLE	●	SURVEY BAR	⊕	PROFILE	⊕
□	CATCH BASIN	■	* * * * *	⊕	FENCE	⊕
▽	CURB INLET	▽	POLE - HYDRO, MTS	⊕	GROUND ABOVE PIPE	⊕
+	JUNCTIONS	+	⊕	⊕	⊕	⊕
⊕	CULVERT	⊕	⊕	⊕	⊕	⊕
⊕	ANODE	⊕	⊕	⊕	⊕	⊕
EXISTING	LEGEND-PLAN	PROPOSED	EXISTING	LEGEND-PLAN	PROPOSED	EXISTING
EXISTING	LEGEND-PROFILE	PROPOSED	EXISTING	LEGEND-PROFILE	PROPOSED	EXISTING

LOCATION APPROVED
UNDERGROUND STRUCTURES

NOTE:
LOCATION OF UNDERGROUND STRUCTURES AS SHOWN ARE BASED ON THE BEST INFORMATION AVAILABLE BUT NO GUARANTEE IS GIVEN THAT ALL EXISTING UTILITIES ARE SHOWN OR THAT THE GIVEN LOCATIONS ARE EXACT. CONFIRMATION OF EXISTENCE AND EXACT LOCATION OF ALL SERVICES MUST BE OBTAINED FROM THE INDIVIDUAL UTILITIES BEFORE PROCEEDING WITH CONSTRUCTION.

B.M. ELEV.	FIELD BOOK #:
POSTED TO LBS	
NO.	REVISIONS
DATE	BY

CITY OF WINNIPEG WATER AND WASTE ENGINEERING DIVISION			
DESIGNED BY	SC	CHECKED BY	TW/KZ
DRAWN BY	CJH	APPROVED BY	KZ
HOR. SCALE	AS SHOWN	RELEASED FOR CONSTRUCTION	
DATE	2006 02 16	DATE	

ENGINEER'S SEAL
ORIGINAL SIGNED
BY S.R.J.
COURNOYER
06/02/16

THE CITY OF WINNIPEG
WATER AND WASTE DEPARTMENT

DUGALD SECONDARY
SEWER REPLACEMENT
MISCELLANEOUS DETAILS

SHEET 24 OF 24
CITY DRAWING NUMBER
05783

BID OPPORTUNITY: 13-2006
FILENAME: Dugald_INTERCEPTOR.dwg
PLOT DATE: 2006 02 17