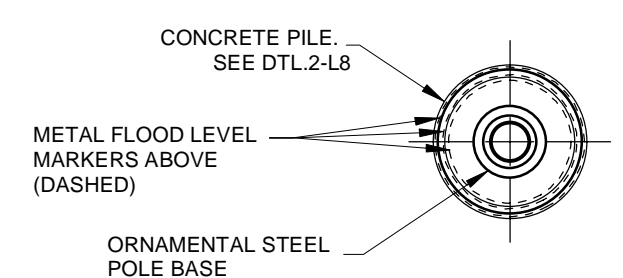
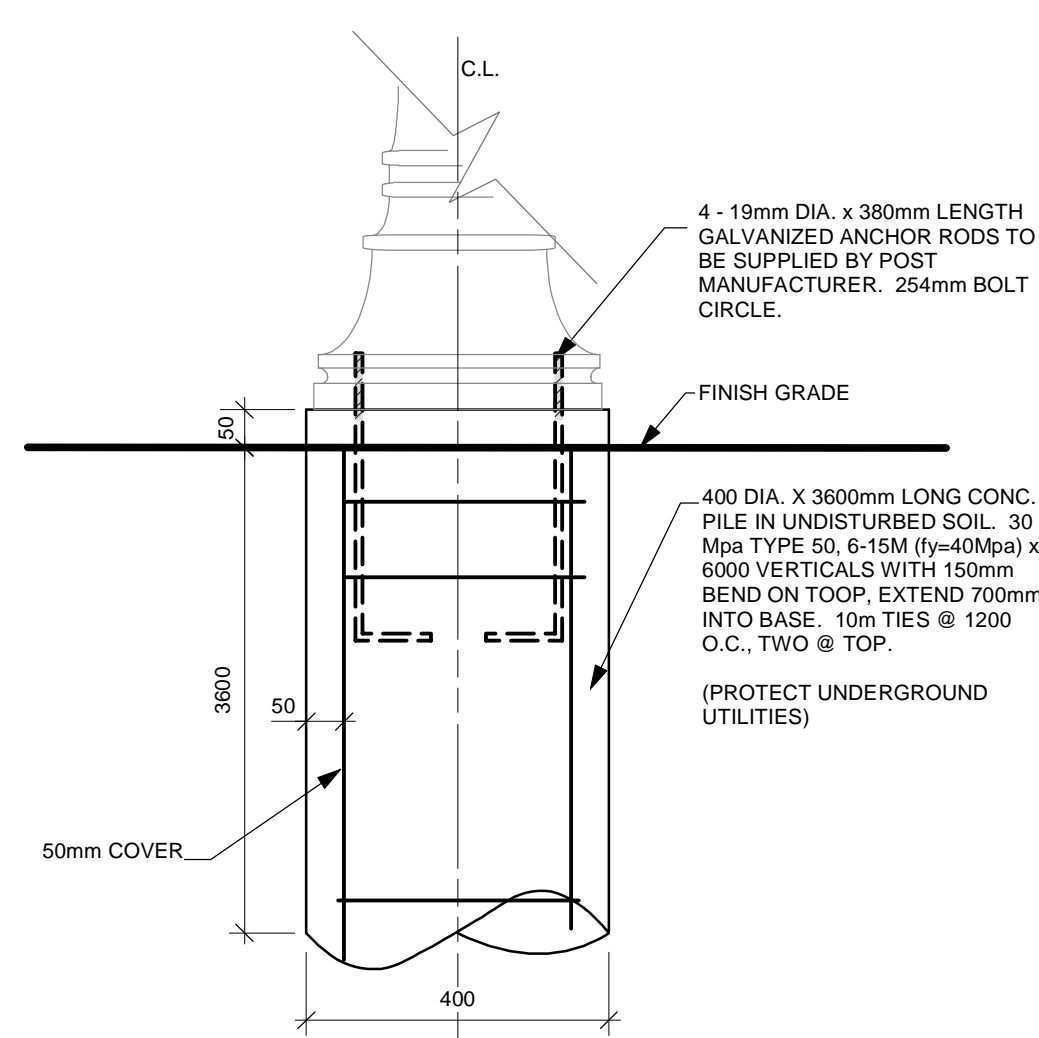


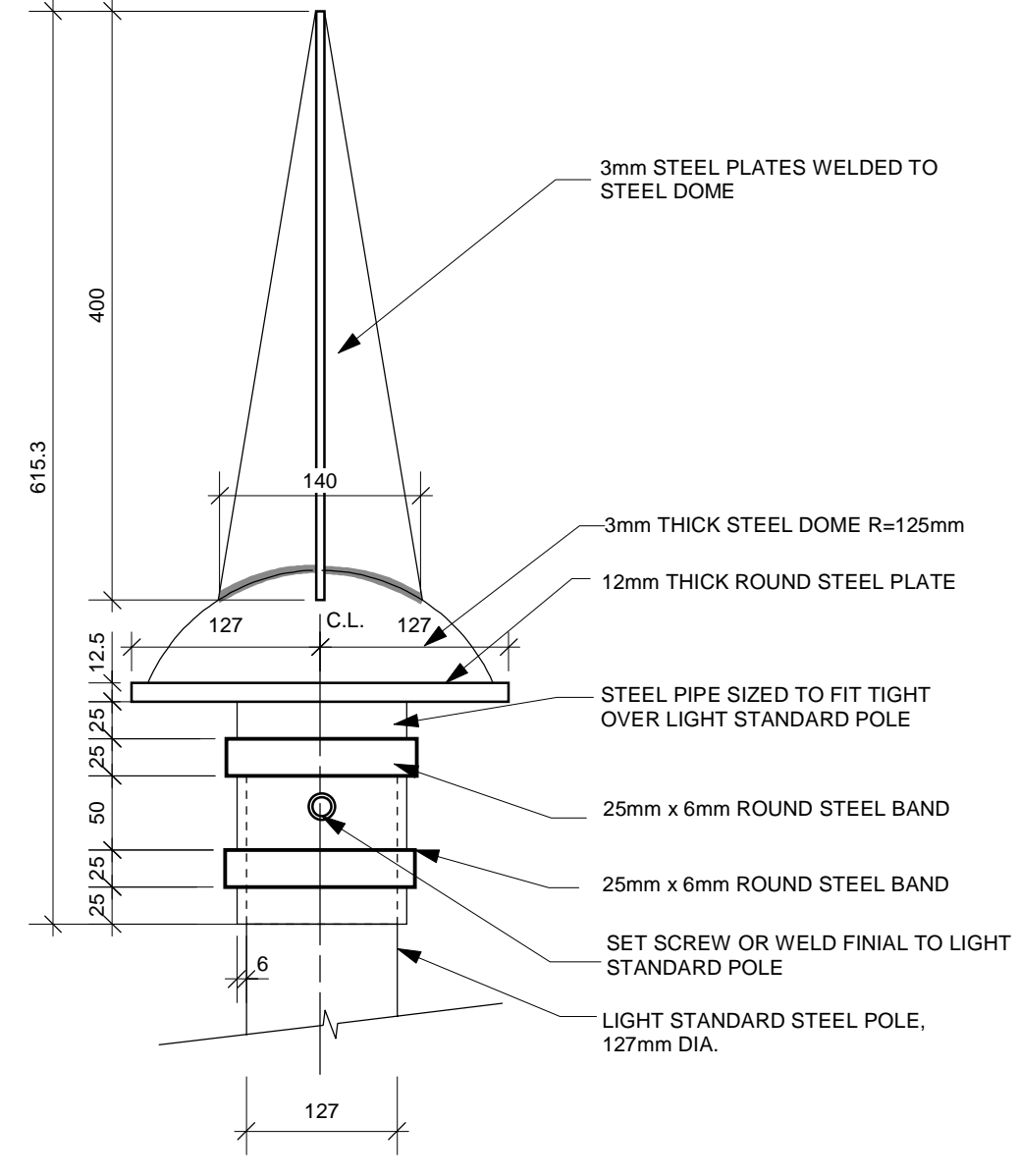
ENGINEER SEAL FOR STRUCTURE ONLY. ENGINEER NOT RETAINED FOR CONSTRUCTION REVIEW.



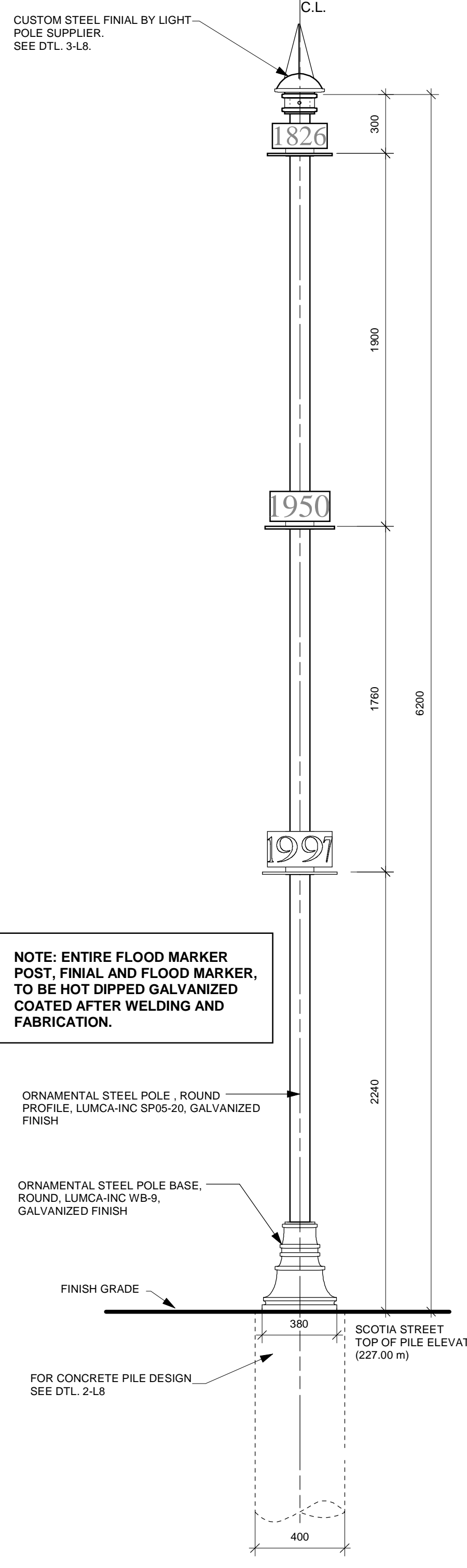
1 FLOOD MARKER PLAN VIEW
L8 Scale: 1:20



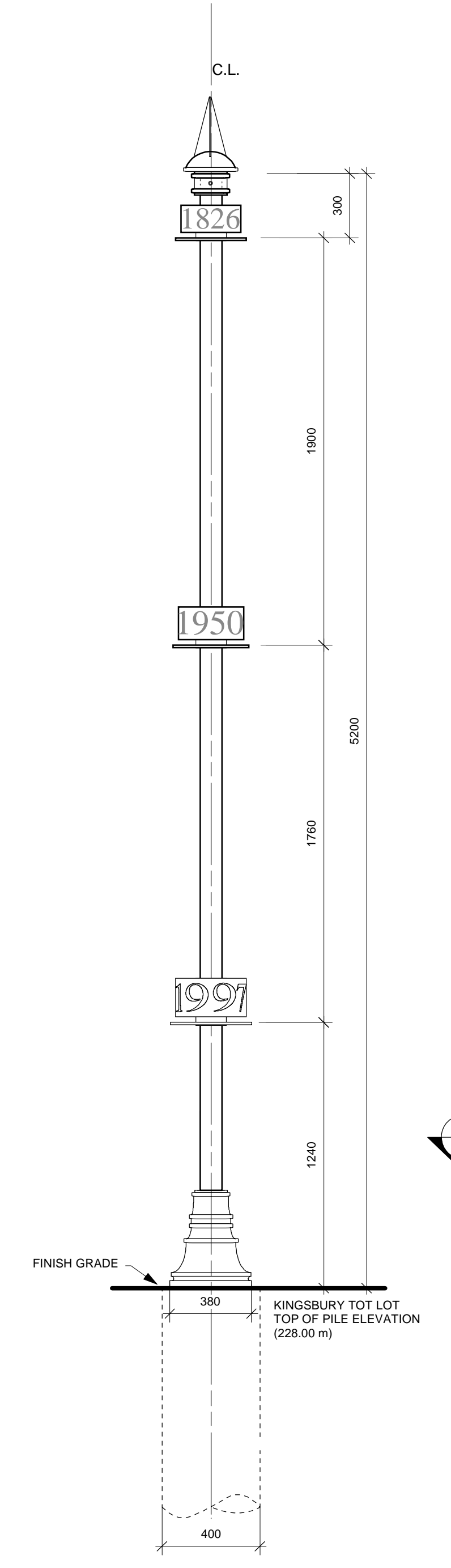
2 PILE FOOTING DETAIL
L8 Scale: 1:10



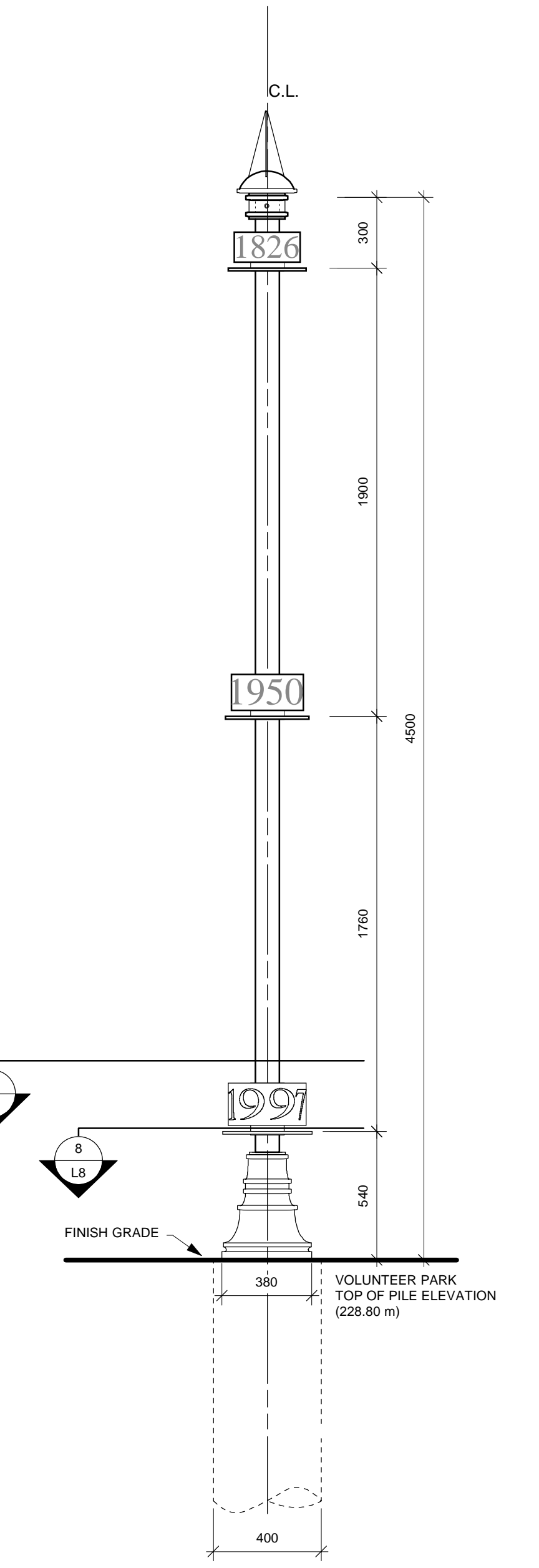
3 FINIAL DETAIL
L8 Scale: 1:5



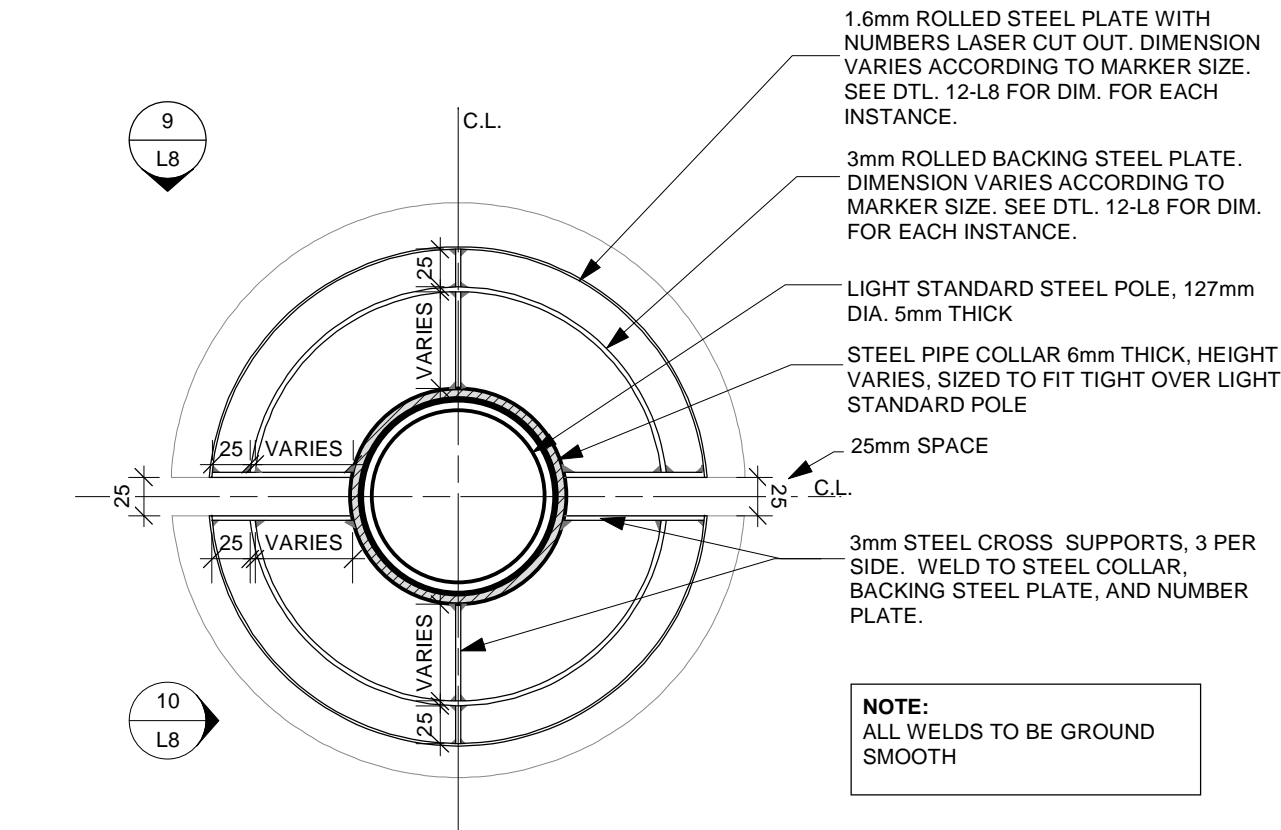
4 SCOTIA STREET END FLOOD MARKER ELEV.
L8 Scale: 1:20



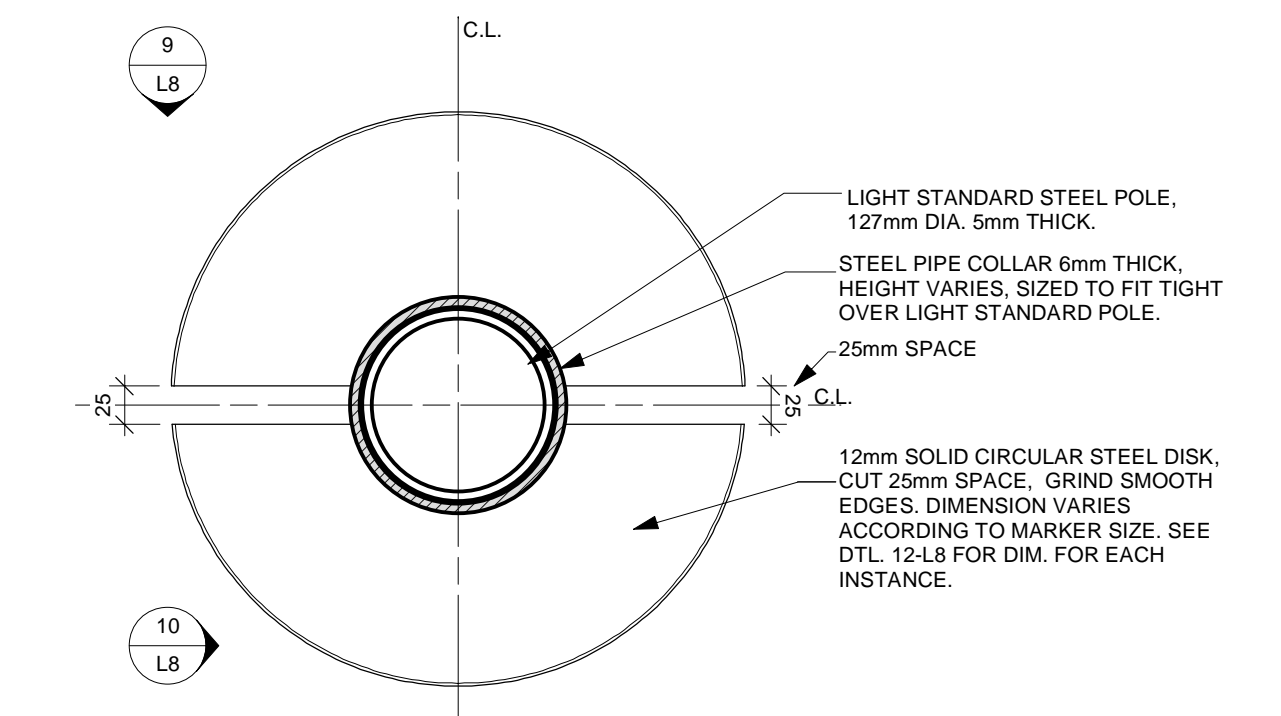
5 KINGSBURY FLOOD MARKER ELEV.
L8 Scale: 1:20



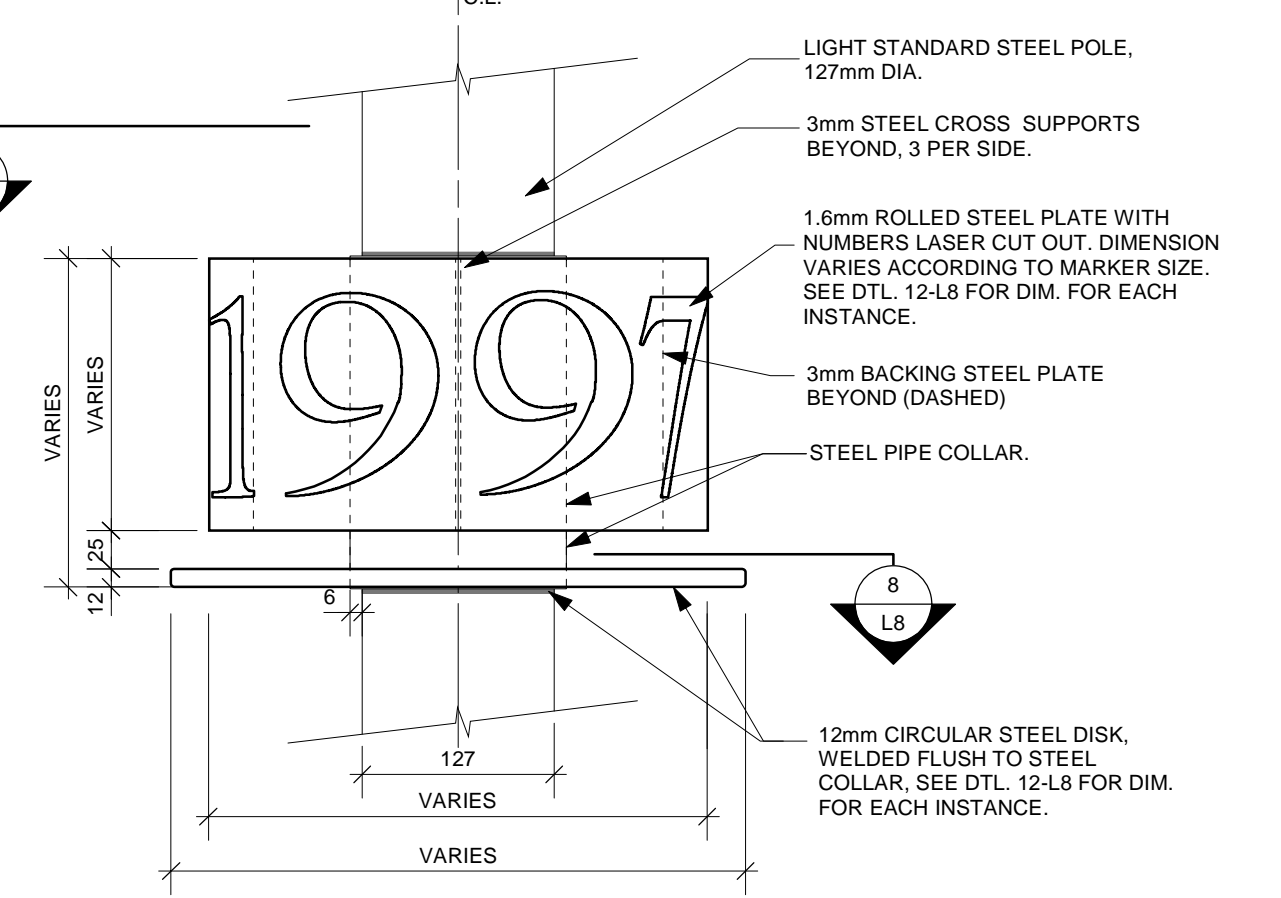
6 VOLUNTEER PARK FLOOD MARKER ELEV.
L8 Scale: 1:20



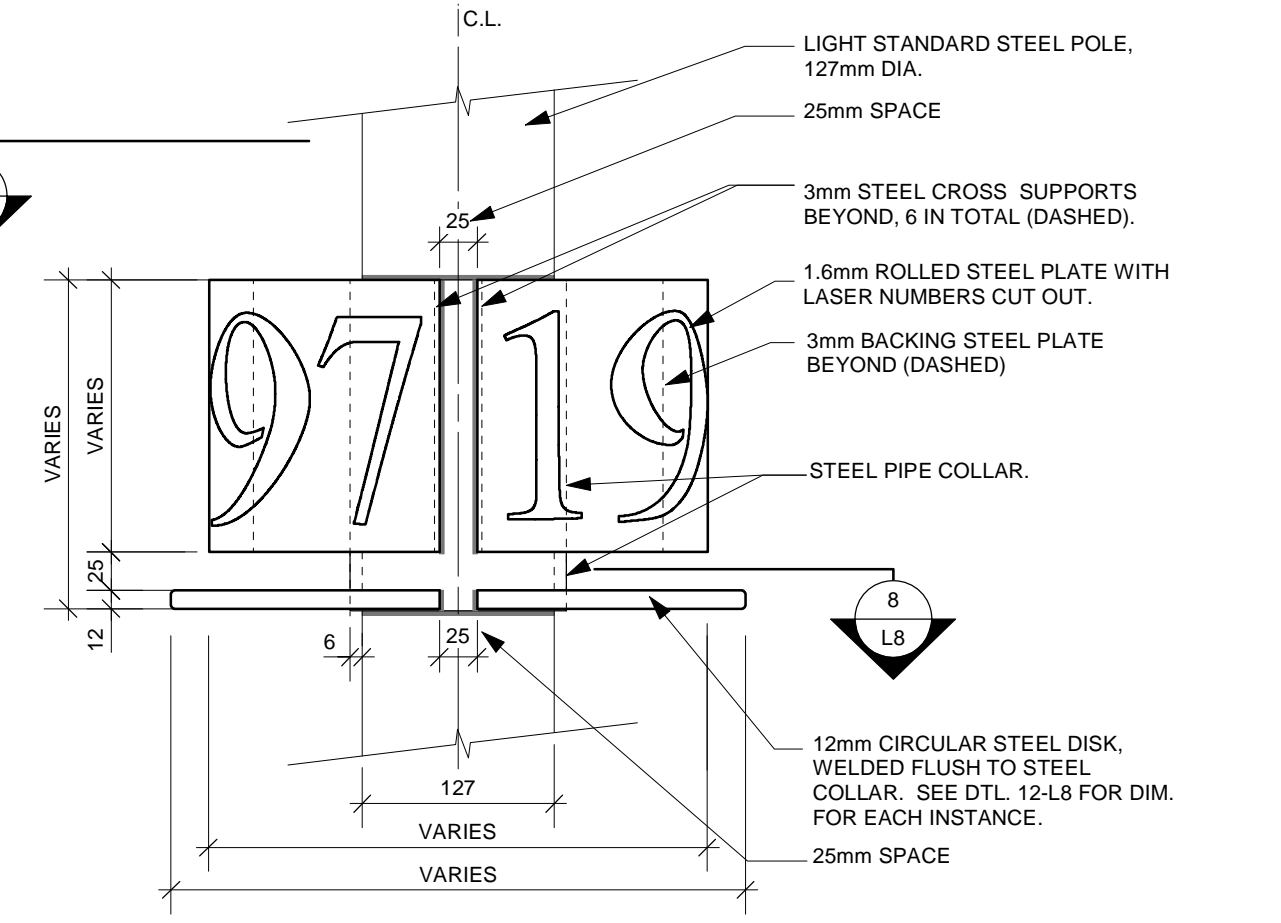
7 TYPICAL FLOOD MARKER NUMBER PLATES PLAN
L8 Scale: 1:5



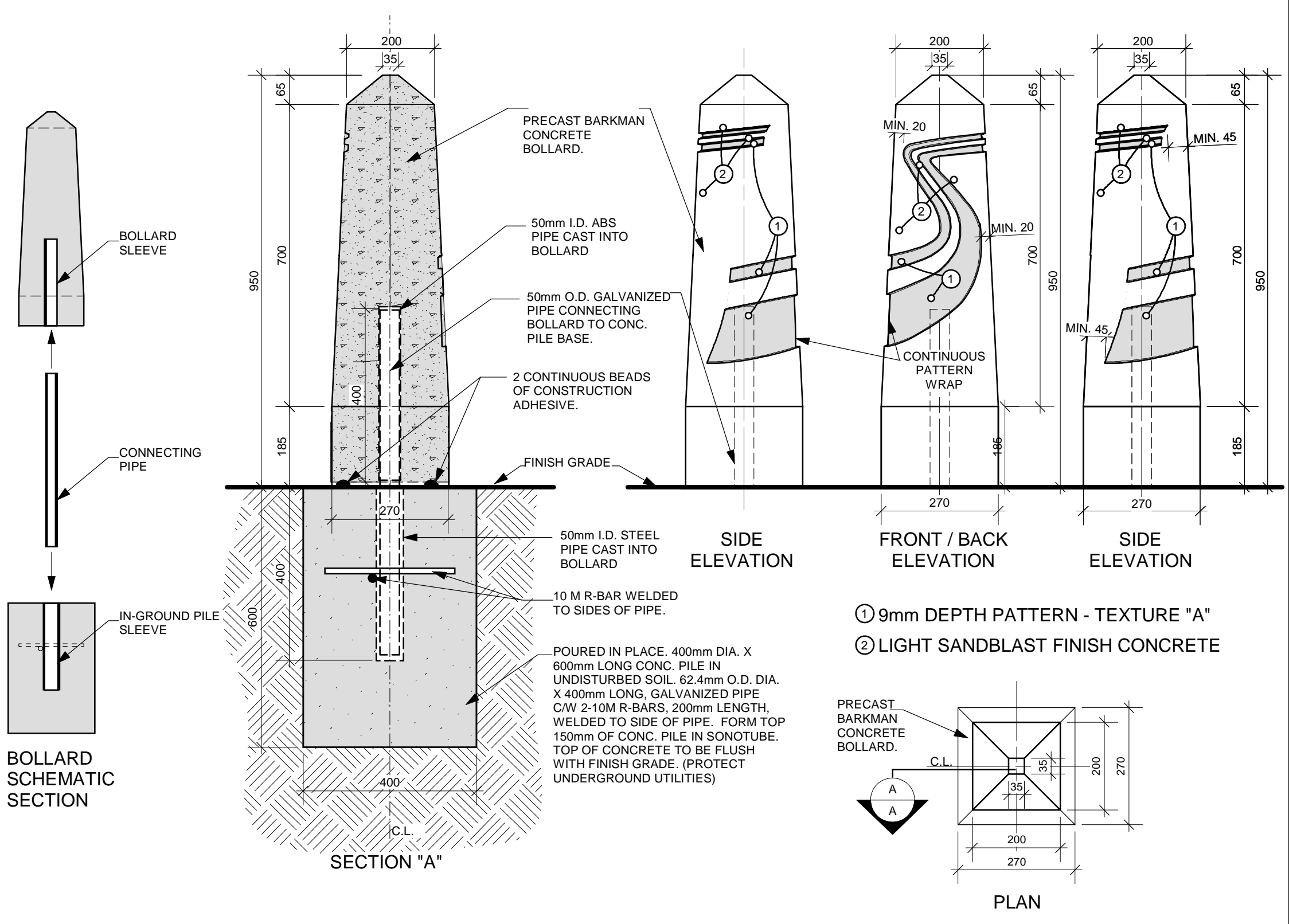
8 TYPICAL FLOOD MARKER DISK PLAN
L8 Scale: 1:5



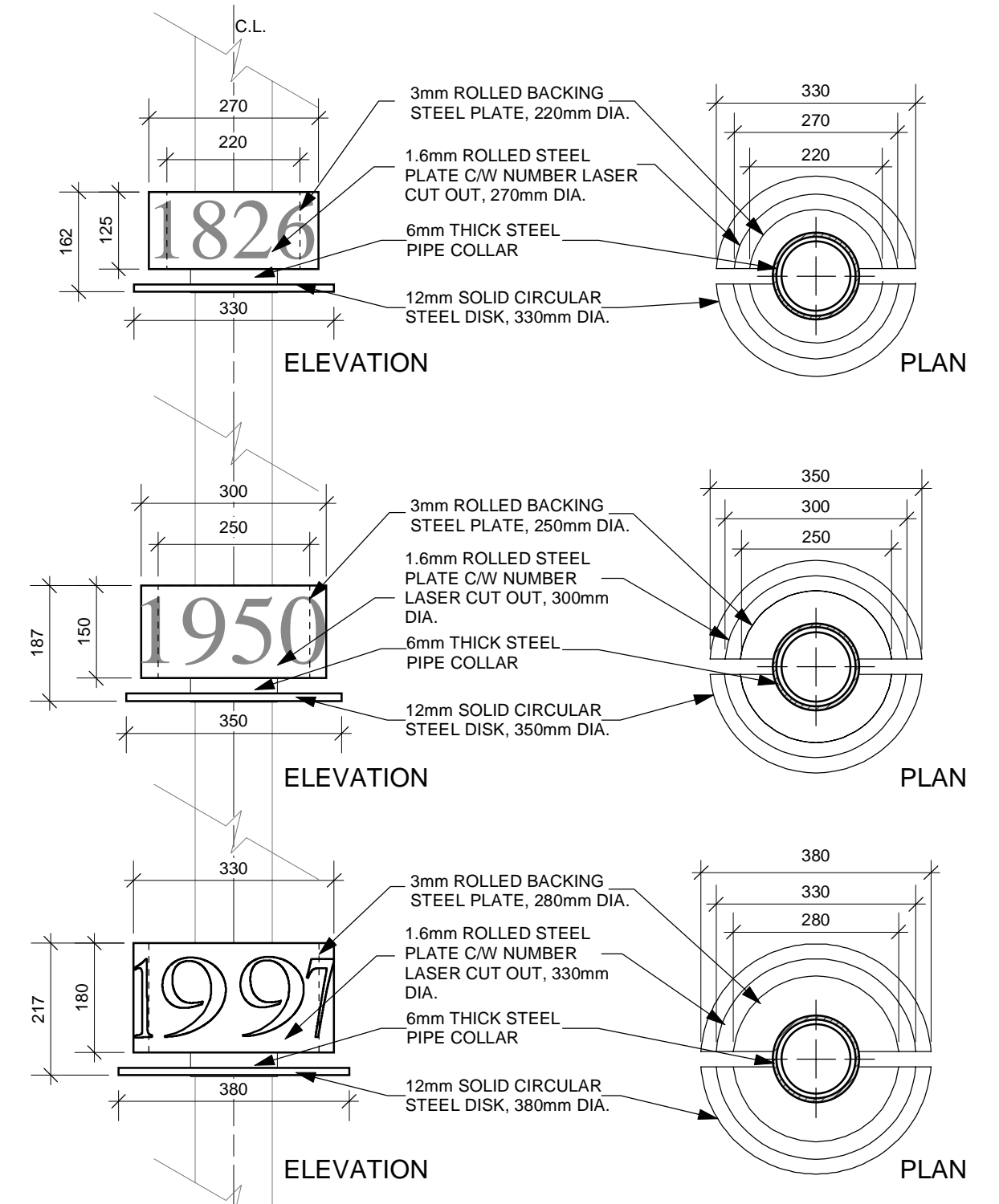
9 TYPICAL FLOOD MARKER FRONT ELEVATION
L8 Scale: 1:5



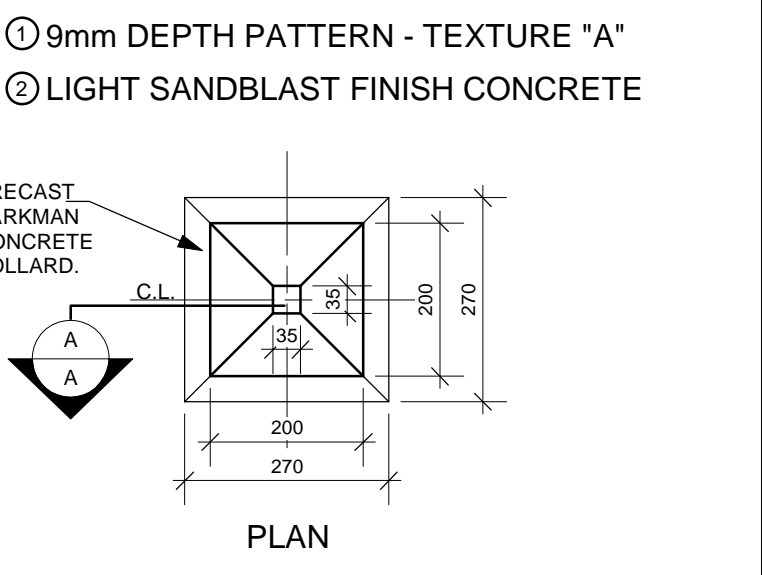
10 TYPICAL FLOOD MARKER SIDE ELEVATION
L8 Scale: 1:5



11 BOLLARD SECTION/ELEVATION/PLAN
L8 Scale: 1:10



12 FLOOD MARKER STANDARD DIMENSIONS
L8 Scale: 1:10



13 FLOOD MARKER PLATE STENCIL
L8 Scale: 1:10

RELEASED FOR CONSTRUCTION
MANAGER PARKS & OPEN SPACE DIVISION
ISSUED FOR TENDER APRIL 4, 2006

PROJECT TITLE SCOTIA SITES	NO.	REVISIONS	BY	DATE
	KEN RECH LANDSCAPE ARCHITECTS INC. 1480 Wellington Crescent Winnipeg Manitoba Fax 489-6852 R3N 0B3 Tel(204) 489-6616			
DRAWING TITLE FLOOD MARKER POST DETAILS	DRAWN BY B.P.	SCALE AS NOTED	SHEET NO. L8	
	PRINT DATE APRIL 4 / 06	DATE JAN. 5 / 06	FILE NO. 04-09	REVISION 0

