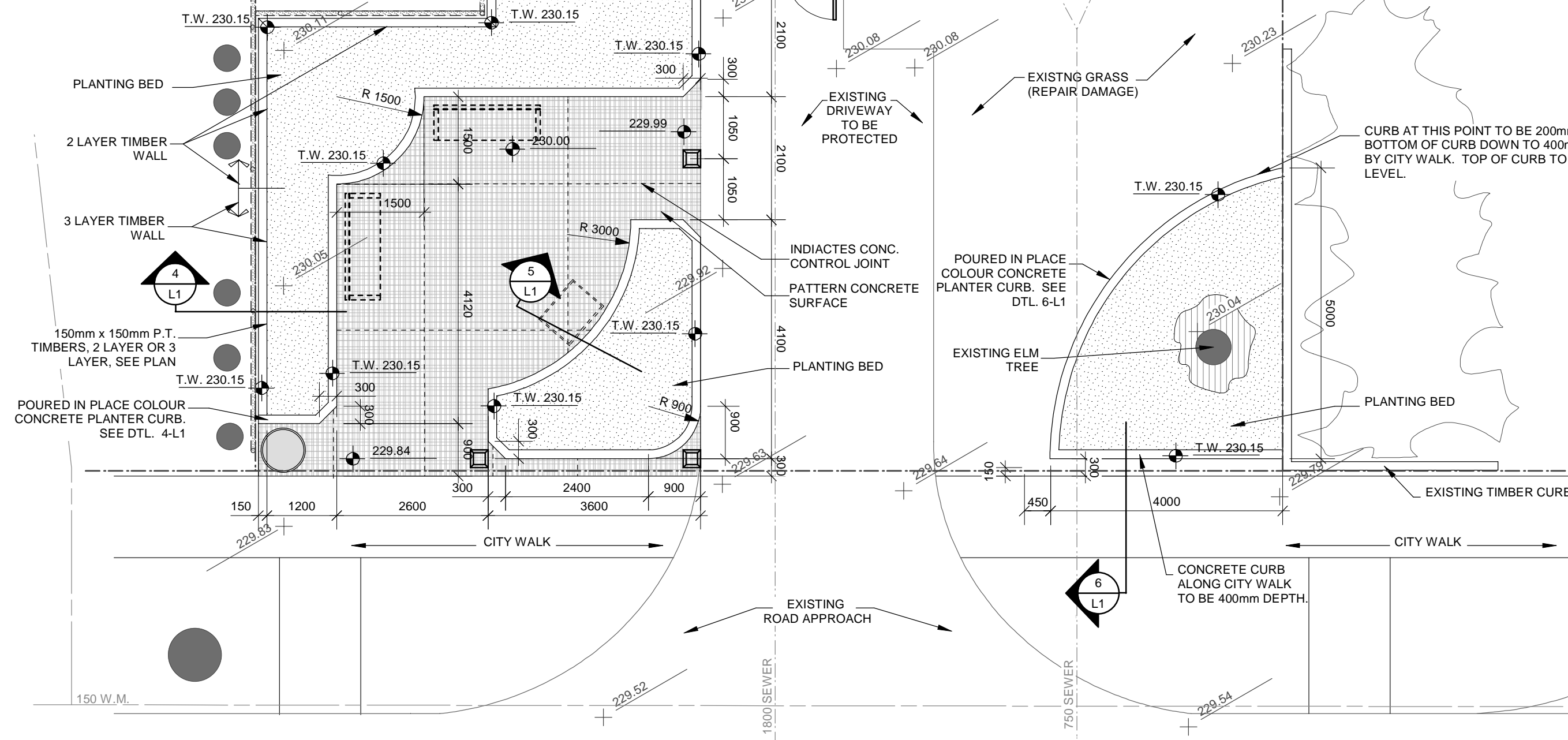
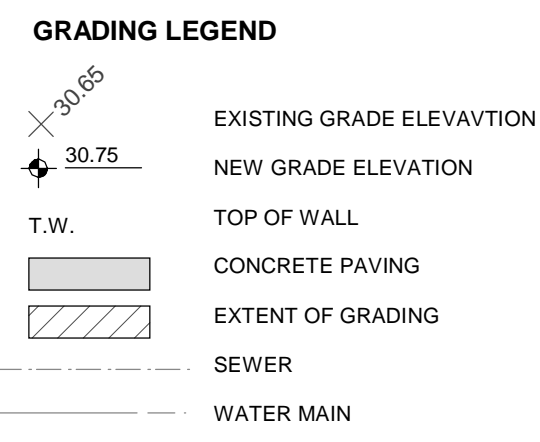
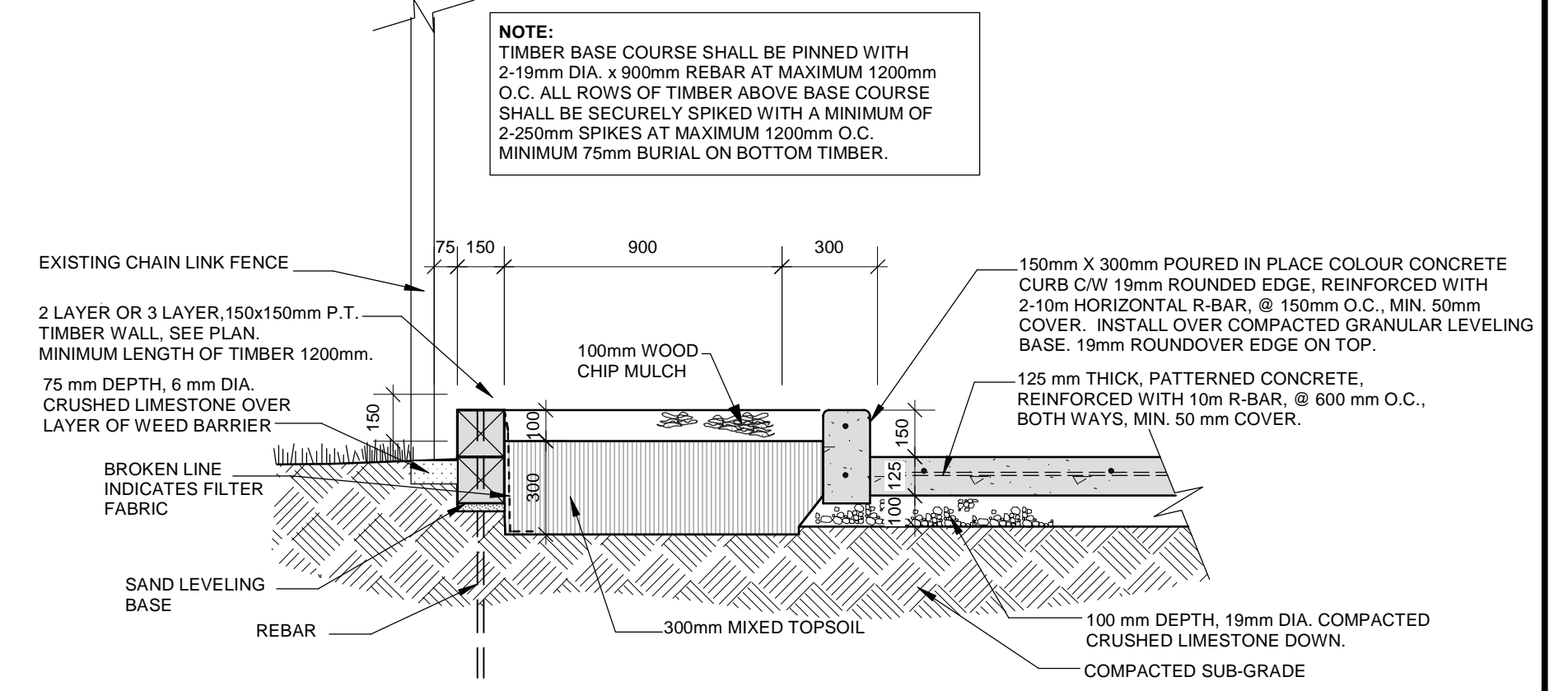


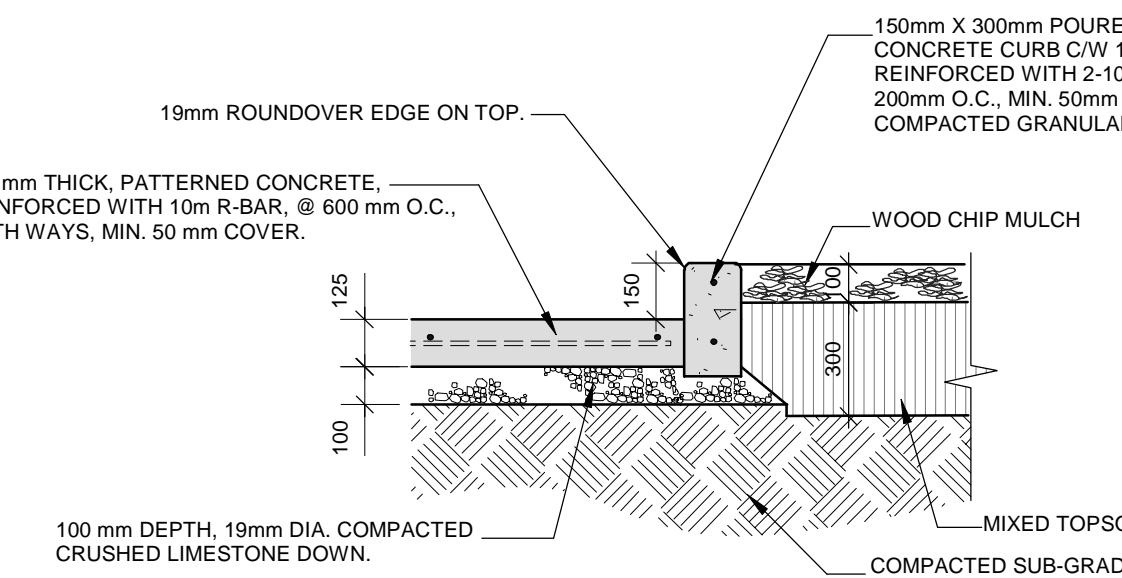
1 EXISTING SITE PLAN
L1 Scale: 1:200



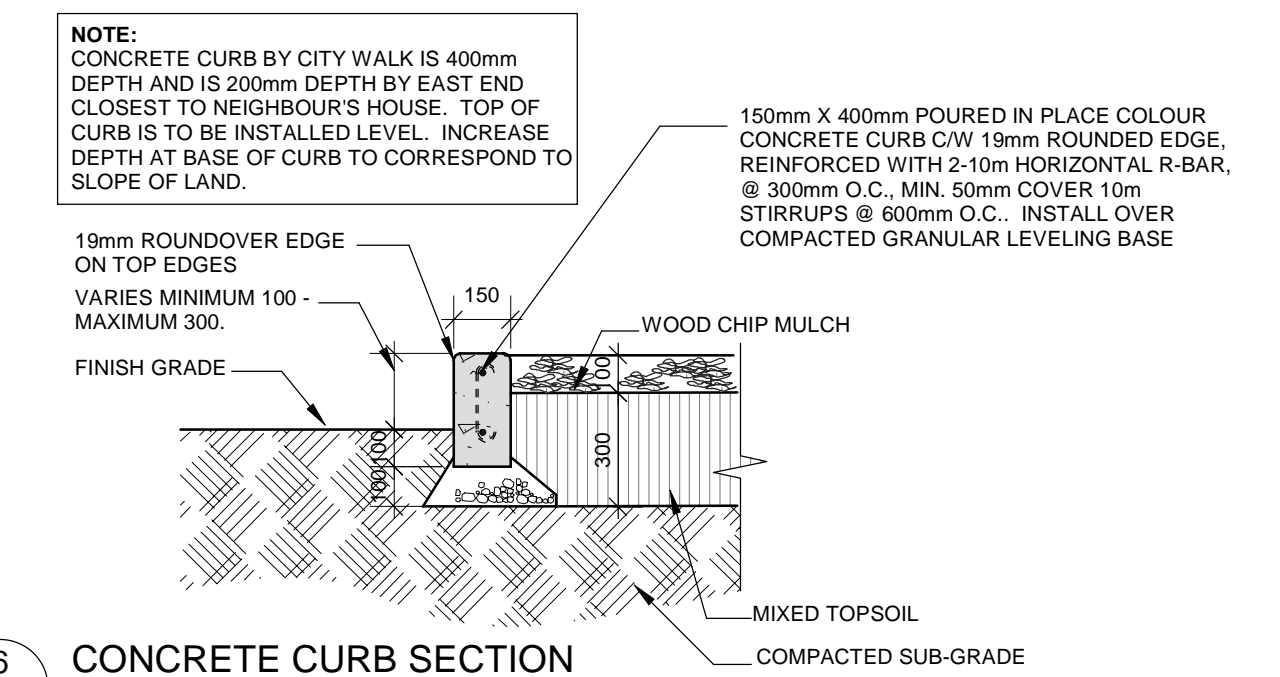
1 LAYOUT/GRADING PLAN
L1 Scale: 1:75



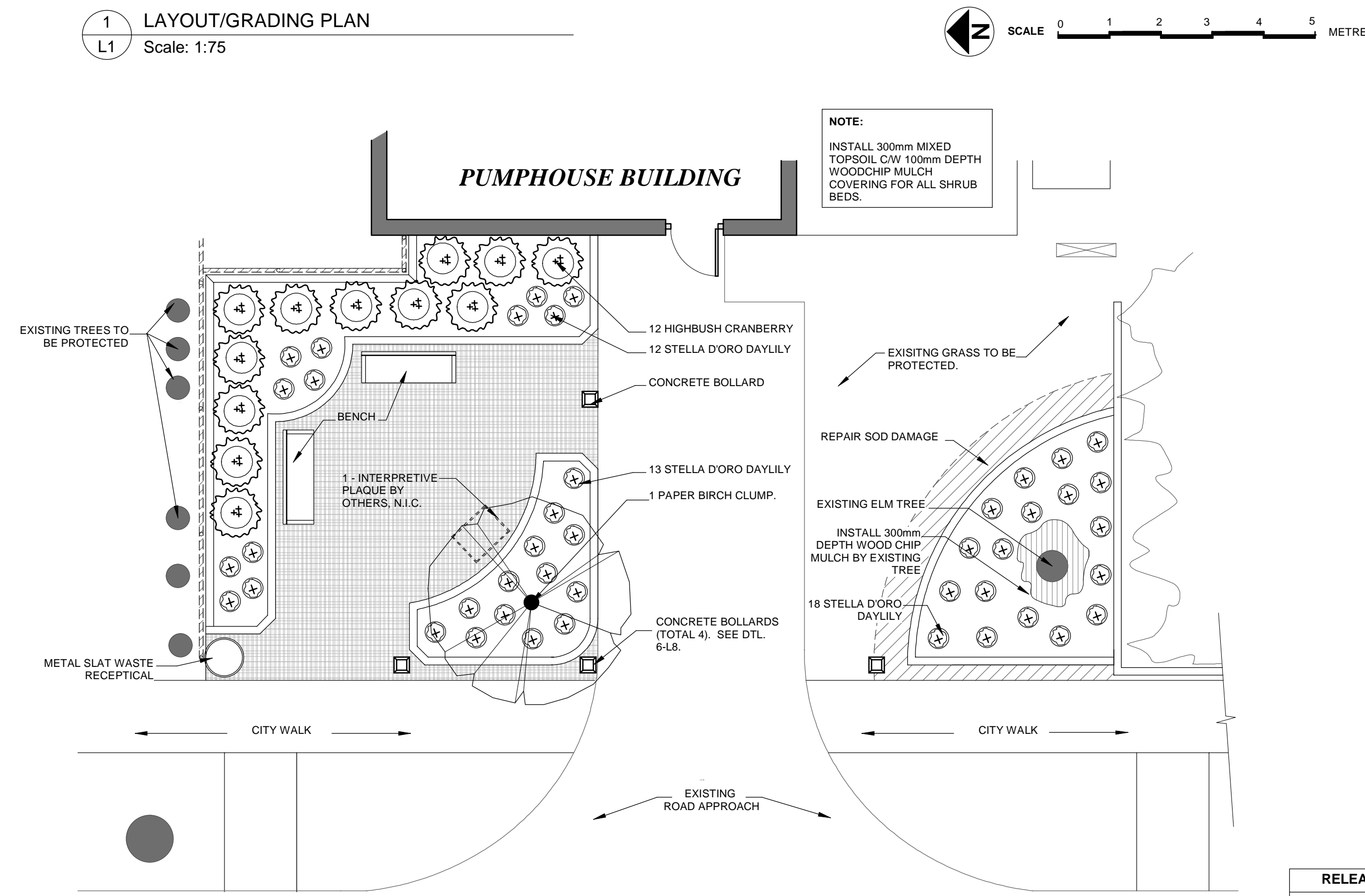
4 SHRUB BED / TIMBER / CONCRETE WALL SECTION
L1 Scale: 1:20



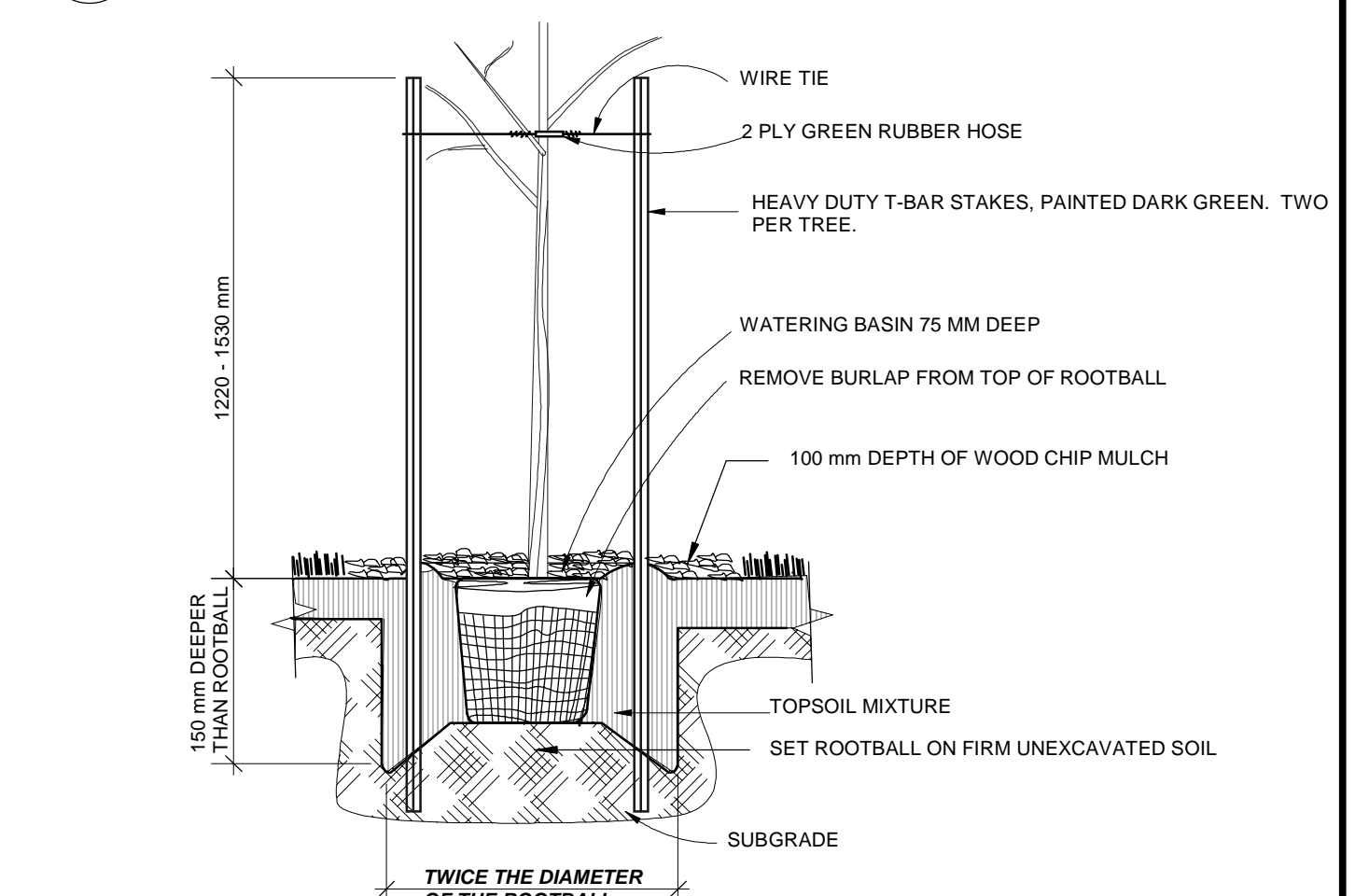
5 SHRUB BED/CONCRETE PAVING SECTION
L1 Scale: 1:20



6 CONCRETE CURB SECTION
L1 Scale: 1:20



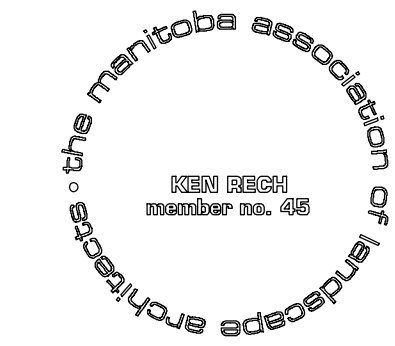
2 LANDSCAPE PLAN
L1 Scale: 1:75



7 TREE PIT / PLANTING DETAIL
L1 Scale: 1:20

Qty	Botanical Name	Common Name	Size / Remarks
12	viburnum trilobum	HIGHBUSH CRANBERRY	900 HT. MIN. 4 MAJOR STEMS OF HEIGHT SPECIFIED. CONTAINER.
43	hemerocallis	STELLA D'ORO DAYLILY	2 YEAR OLD PLANTS. DENSE BUSHY PLANTS.
1	betula papyrifera	PAPER BIRCH	50mm CALIPER. SINGLE STRAIGHT STEM. WELL BRANCHED HEAD ABOVE 1220mm HT. SPECIMEN QUALITY. MIN. 915mm DIA. ROOTBALL. STAKE.

RELEASED FOR CONSTRUCTION
MANAGER PARKS & OPEN SPACE DIVISION



PROJECT TITLE		NO.	REVISIONS	BY	DATE
POLSON PUMPING STATION 75 SCOTIA STREET					
DRAWN BY		SCALE		SHEET NO.	
B.P.		AS NOTED		L1	
PRINT DATE		DATE			
APRIL 4/06		JAN. 5 / 06			
FILE NO.		REVISION			
04-09					

ISSUED FOR TENDER APRIL 4, 2006

KEN RECH LANDSCAPE ARCHITECTS INC.
1480 Wellington Crescent Winnipeg Manitoba
Fax 489-6852 R3N 0B3 Tel(204) 489-6616