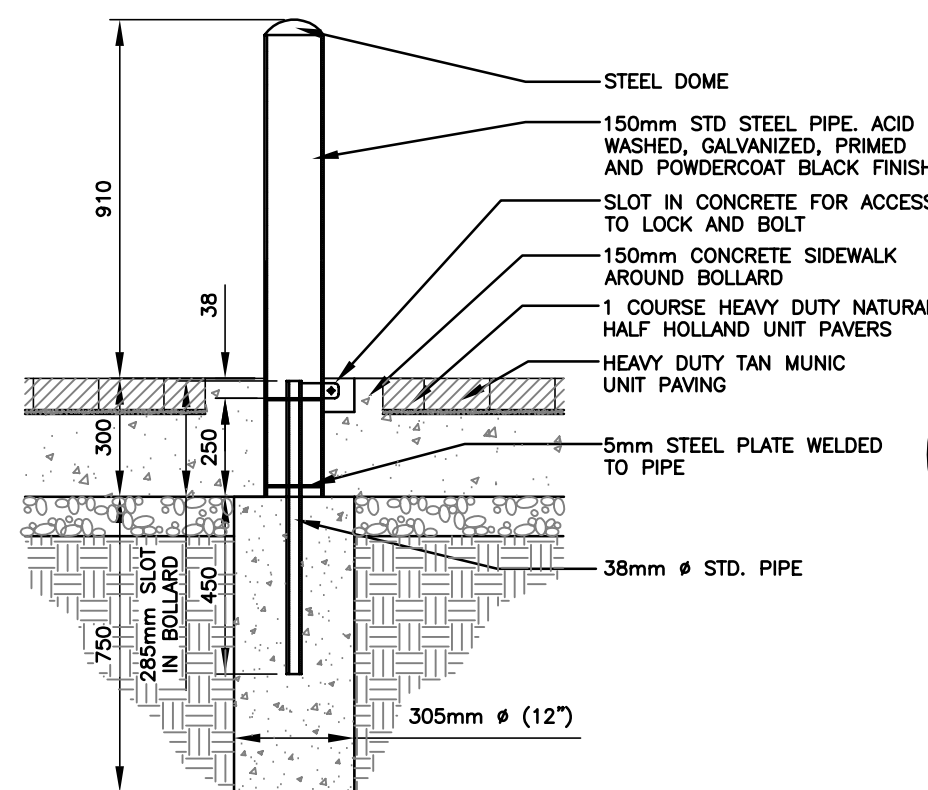
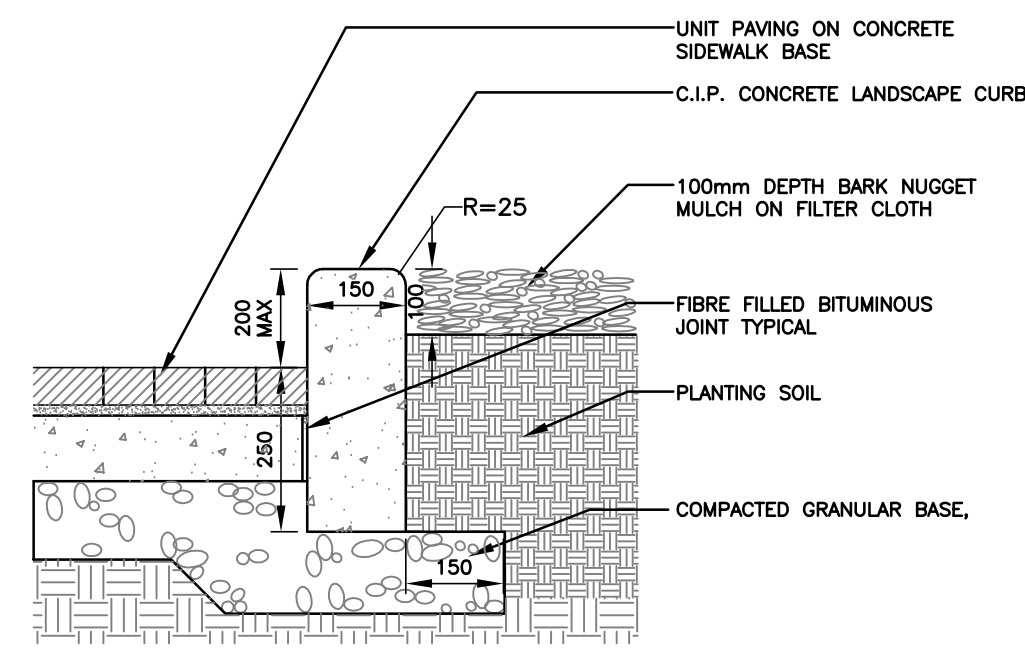
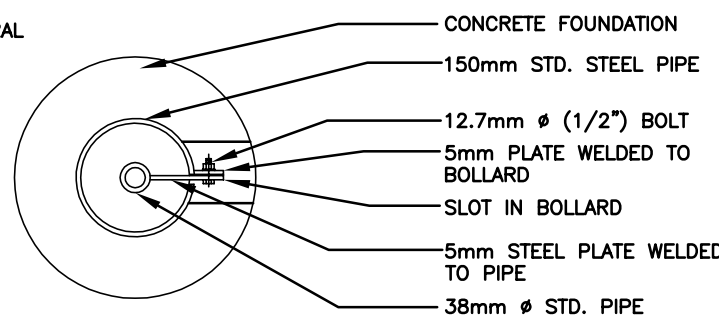


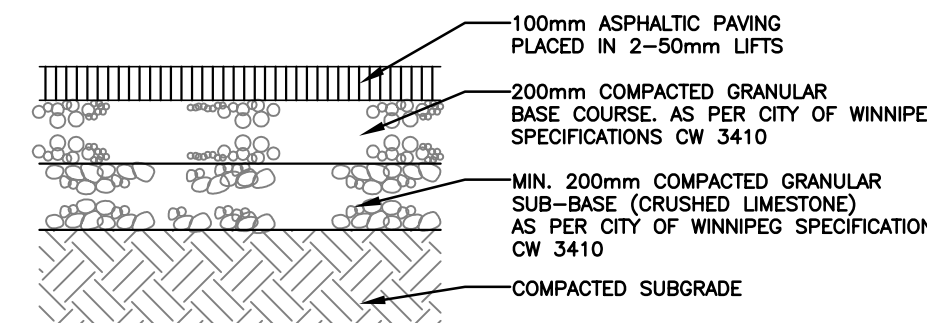
18 CONCRETE FILLED STEEL BOLLARD
L1.1 N.T.S.



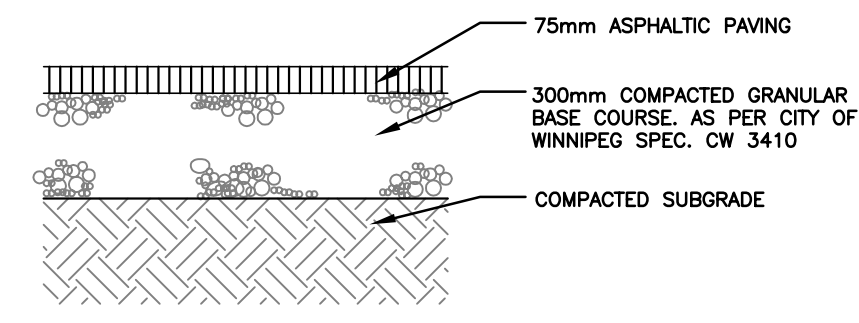
19 REMOVABLE STEEL BOLLARD
L1.2 N.T.S.



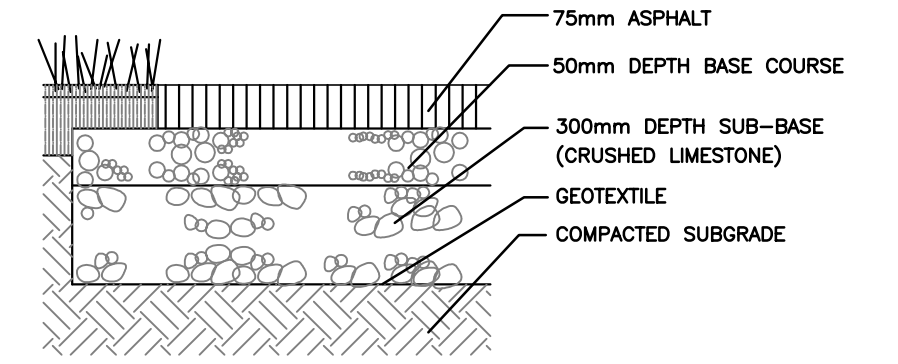
20 C.I.P. CONCRETE LANDSCAPE CURB
L1.1 N.T.S.



21 HEAVY DUTY ASPHALT
L1.1 N.T.S.

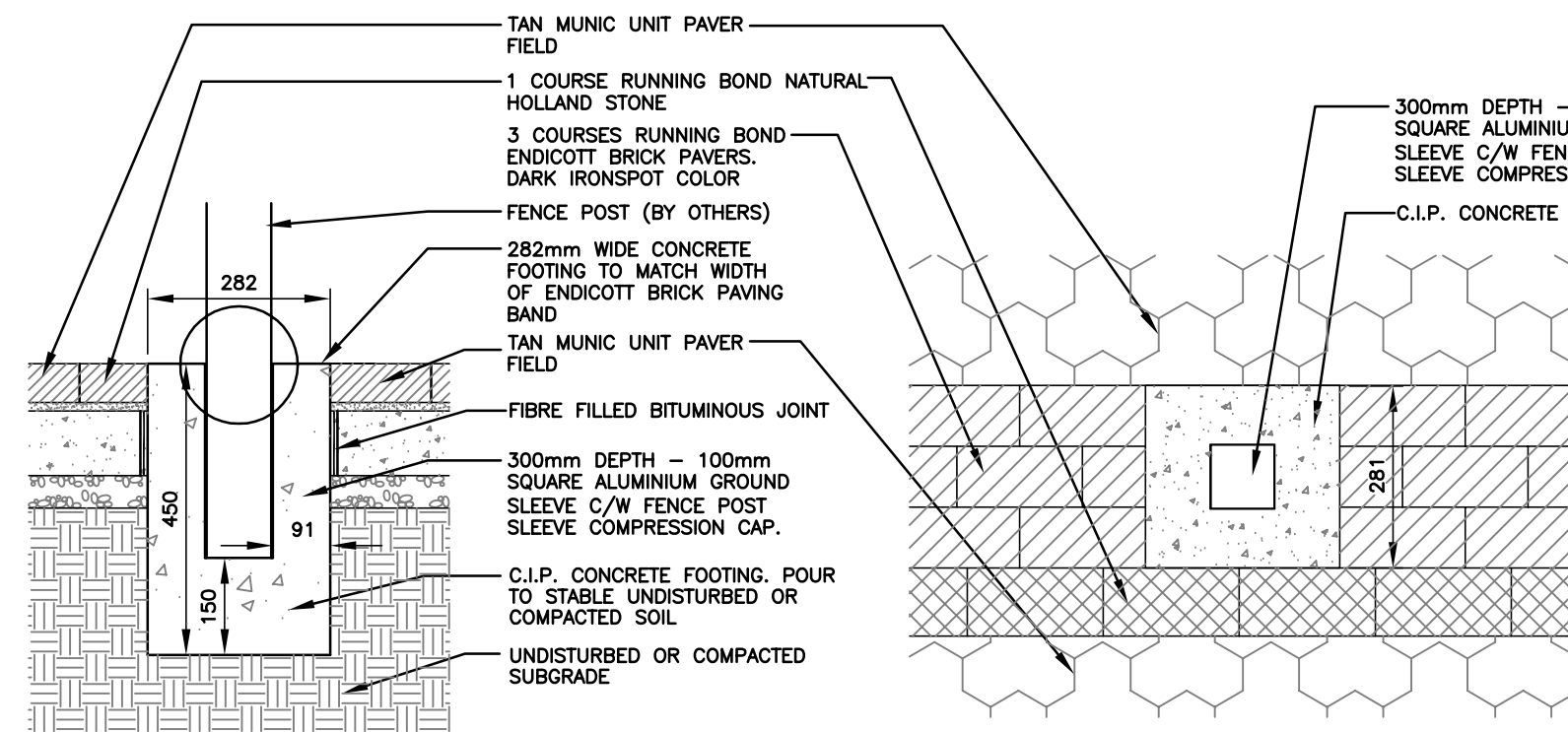


22 LIGHT DUTY ASPHALT
L1.1 N.T.S.

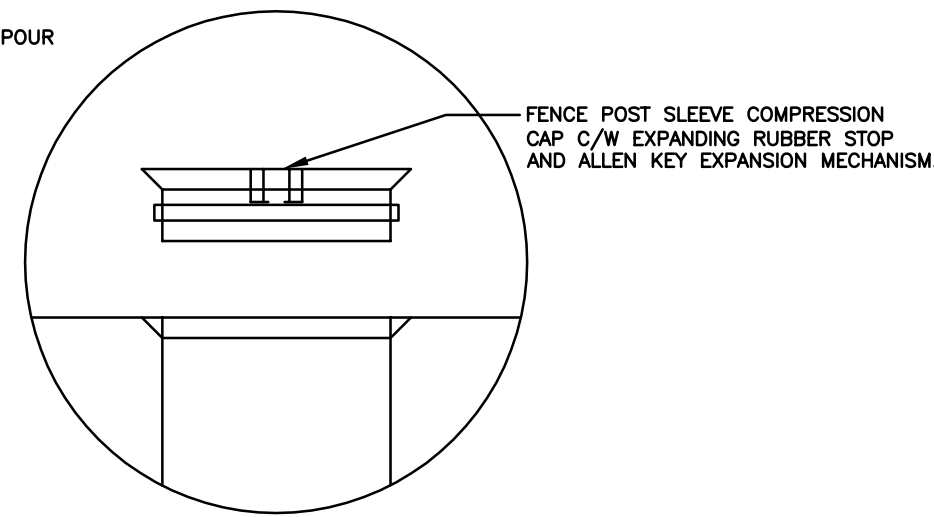


NOTE:
CONTRACTOR TO PERFORM TEST ROLL ON EXISTING SUBGRADE TO DETERMINE SOIL LOAD BEARING CAPABILITIES. WHERE SUBGRADE IS UNSUITABLE REMOVE AND REPLACE WITH ACCEPTABLE MATERIAL TO CITY OF WINNIPEG STANDARDS, MINIMUM 12"(300mm) DEPTH.

23 ASPHALT PATHWAY
L1.2 N.T.S.

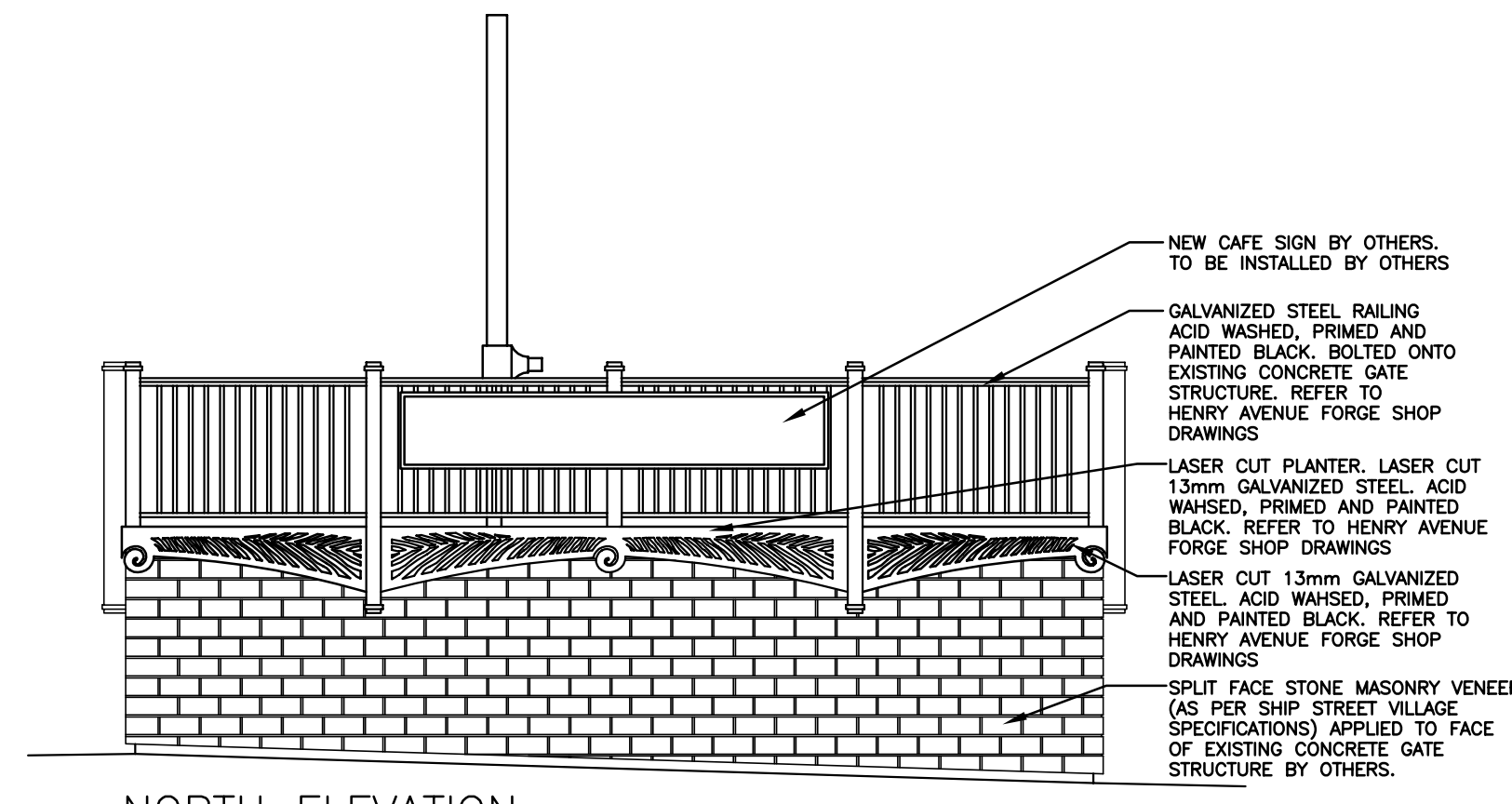


PLAN VIEW (TYPICAL)

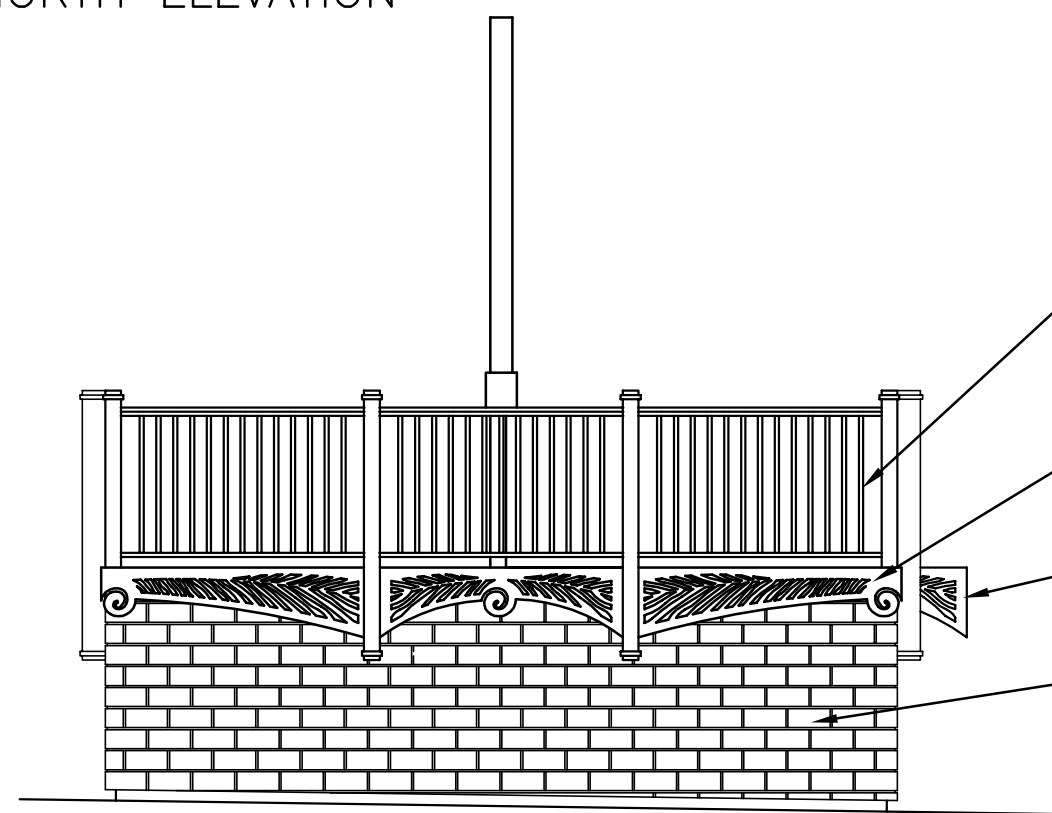


CAP DETAIL

24 POST BASE FOR REMOVABLE FENCE
L1.1 N.T.S.

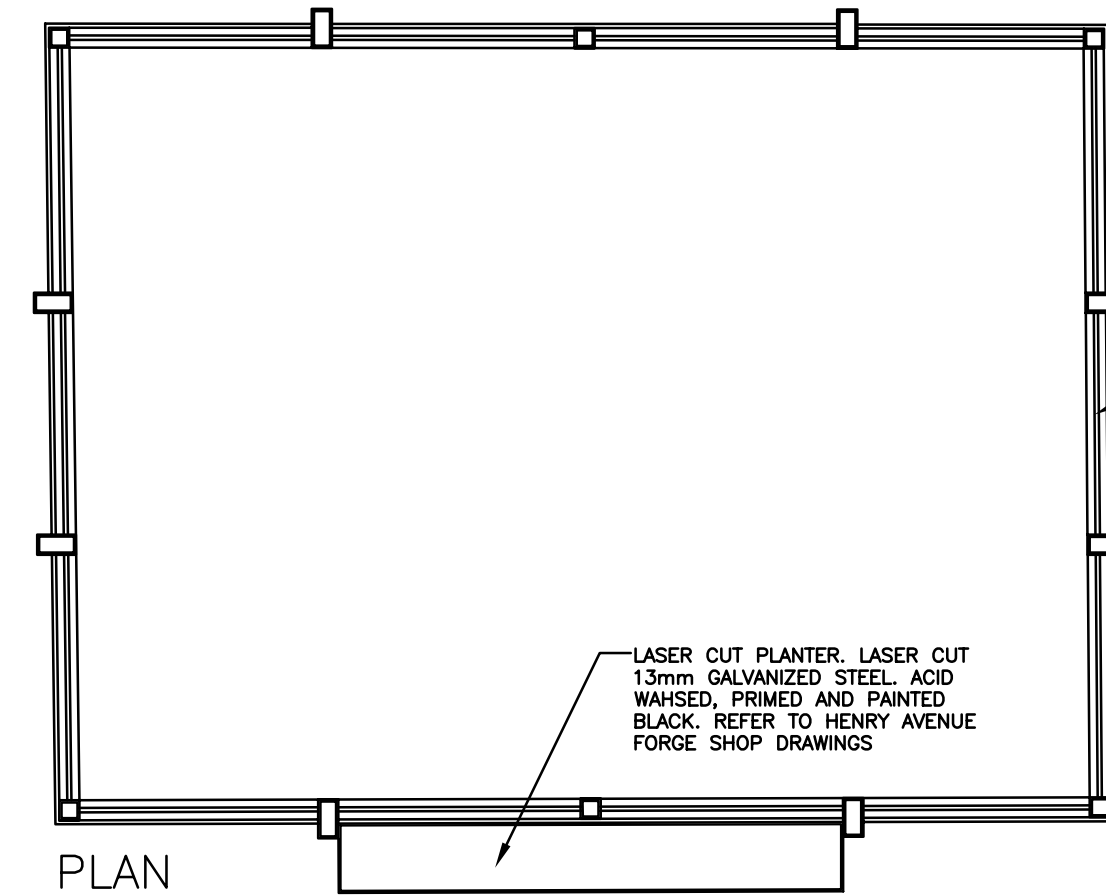


NORTH ELEVATION



EAST ELEVATION

25 RAILING AT GATE STRUCTURE
L1.1 N.T.S.



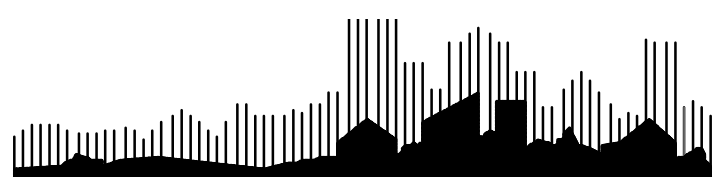
PLAN

GALVANIZED STEEL RAILING ACID WASHED, PRIMED AND PAINTED BLACK. BOLTED ONTO EXISTING CONCRETE GATE STRUCTURE

No.	Revisions	Date	By
1	ISSUED FOR TENDER	02/03/06	SR

Date	Scale	Designed By	Drawn By	Checked By
27-01-06	NTS	SR/JW/AH	JW/AH	SR

Seals



McGOWAN RUSSELL

Client

CITY OF WINNIPEG

Project Title

**WATERFRONT DRIVE
STREETSCAPING**

Sheet Title

DETAILS

Project No. 05-026 Drawing No. L4.2