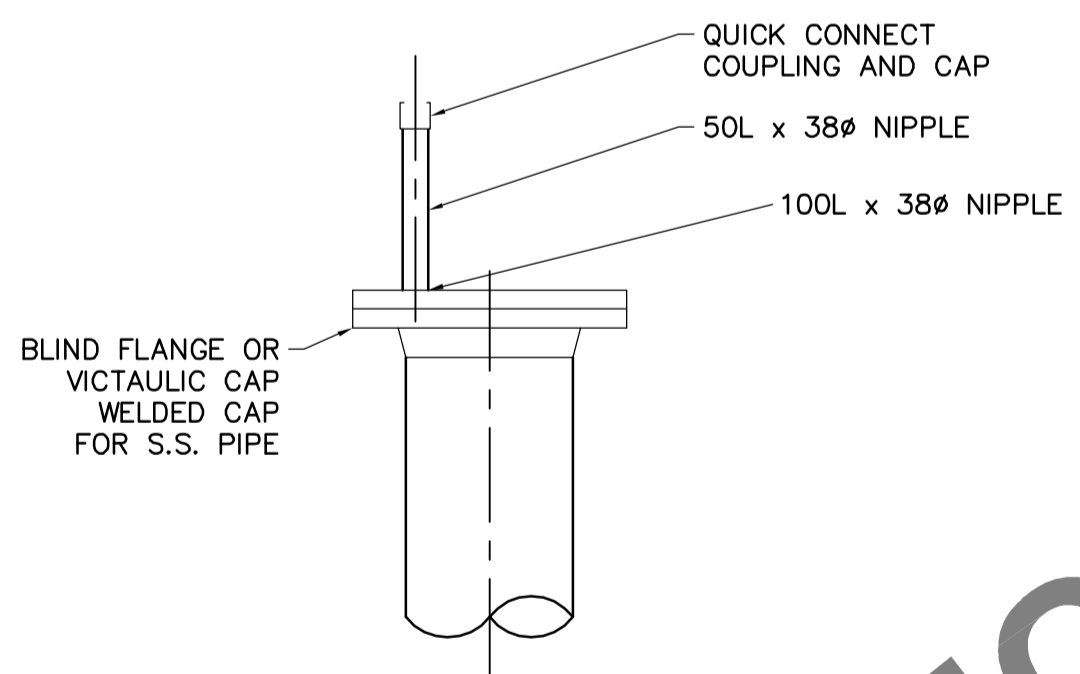
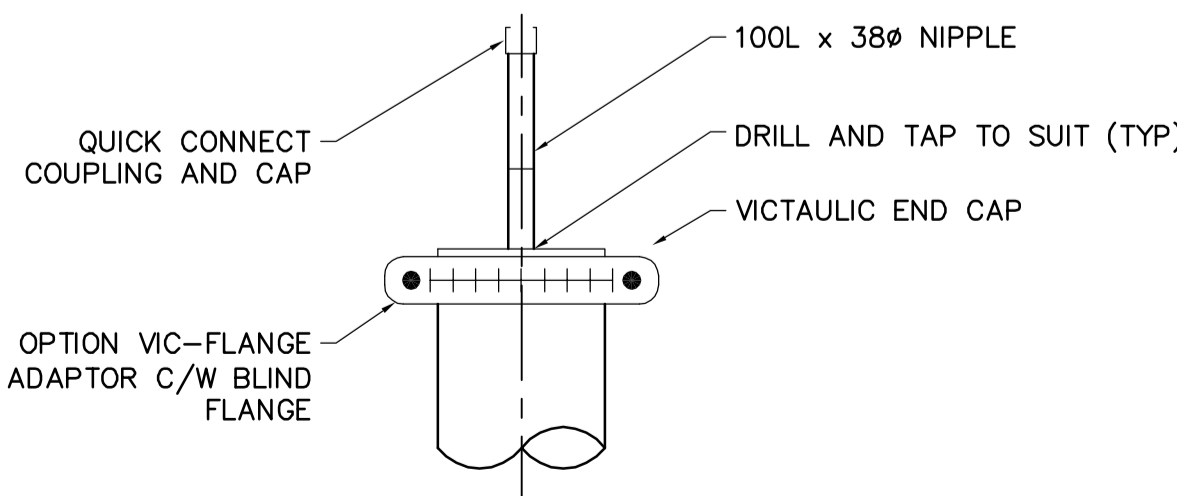


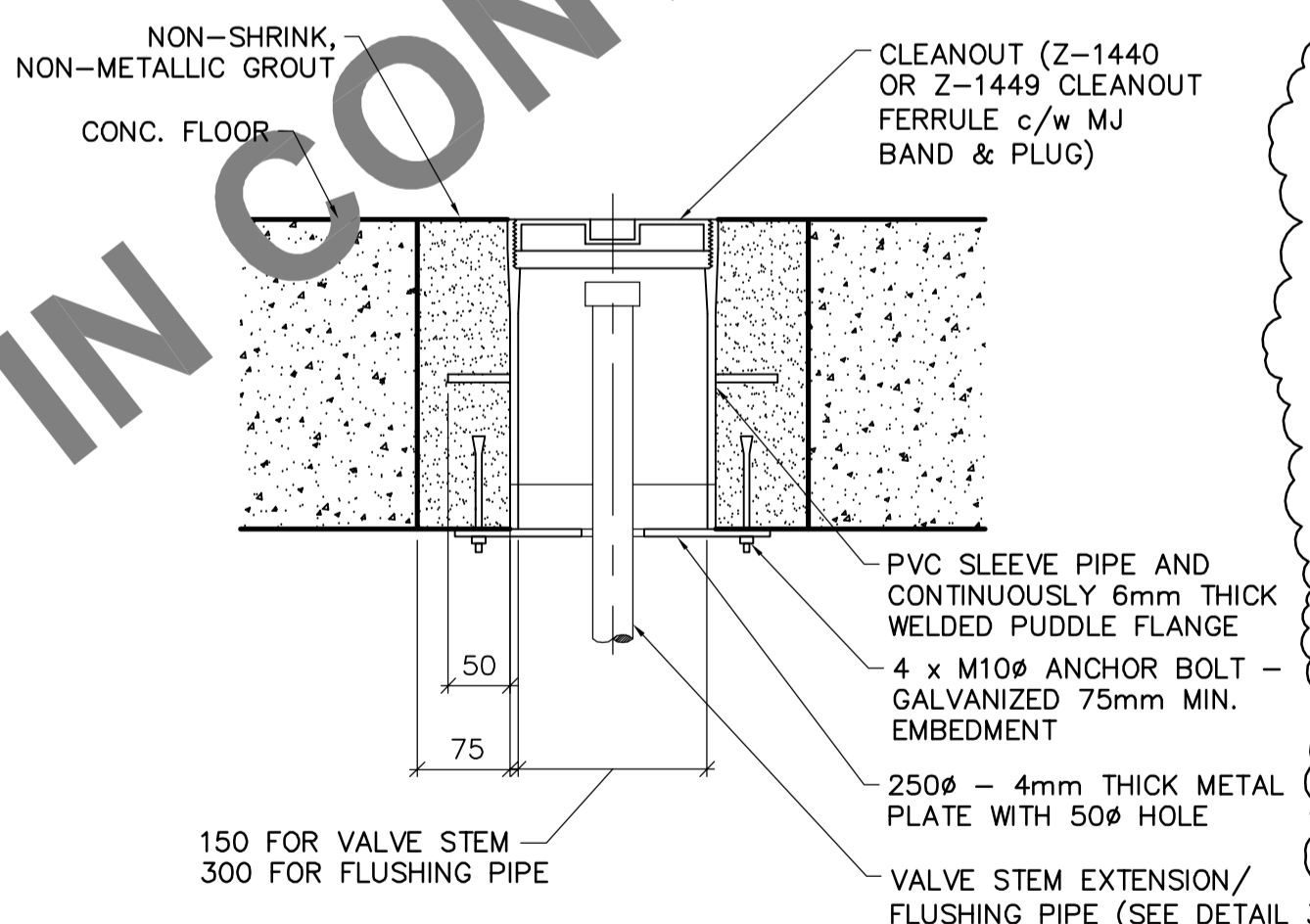
A SECTION
WR-M0101 1:50



FLUSHING CONNECTION "WELDED"

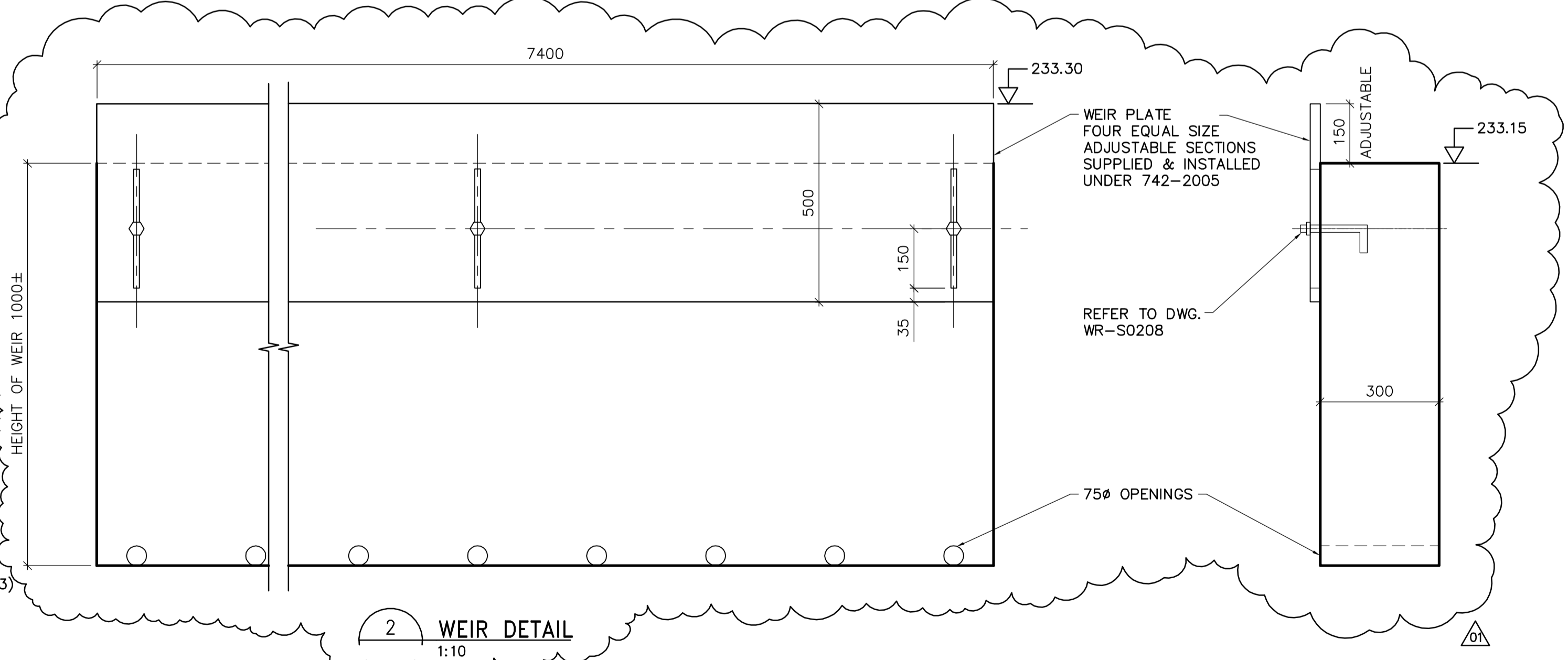


3 FLUSHING CONNECTION
NTS



1 SERVICE BOX DETAIL
NTS

NOTE
VALVE STEM AND FLUSHING PIPE
SUPPLIED BY OTHERS



2 WEIR DETAIL
1:10

APEGM
Certificate of Authorization
Earth Tech Canada Inc.
No. 730 Expiry: April 30, 2006

B.M. ELEV.			
DESIGNED BY	SM	CHECKED BY	SRB
DRAWN BY	JBC	APPROVED BY	DJT
SCALE:	AS NOTED	RELEASED FOR CONSTRUCTION BY:	R. SOROKOWSKI
NO.	REVISIONS	DATE	BY
01	583-2005 ADDENDUM 3	06/03/10	GLG
00	ISSUED FOR TENDER	06/02/03	JBC
NO.	REVISIONS	DATE	BY
		2005/09/60	

CH2M HILL
Frederickson Cooper ARCHITECTS

EarthTech
A Tyco International Ltd. Company

ENGINEER'S SEAL
ORIGINAL SIGNED BY
S.R. BILEVICIUS
2006/02/07
CONSULTANT DRAWING NO.
WR-M9201

THE CITY OF WINNIPEG
WATER AND WASTE DEPARTMENT
ENGINEERING DIVISION

WATER TREATMENT PLANT
RESIDUALS HANDLING
FOUNDATIONS AND CONCRETE STRUCTURES

PIPE EMBEDS
SECTIONS

CITY FILE NUMBER
SHEET OF
CITY DRAWING NUMBER
1-0601R-A-M9201-001-01D