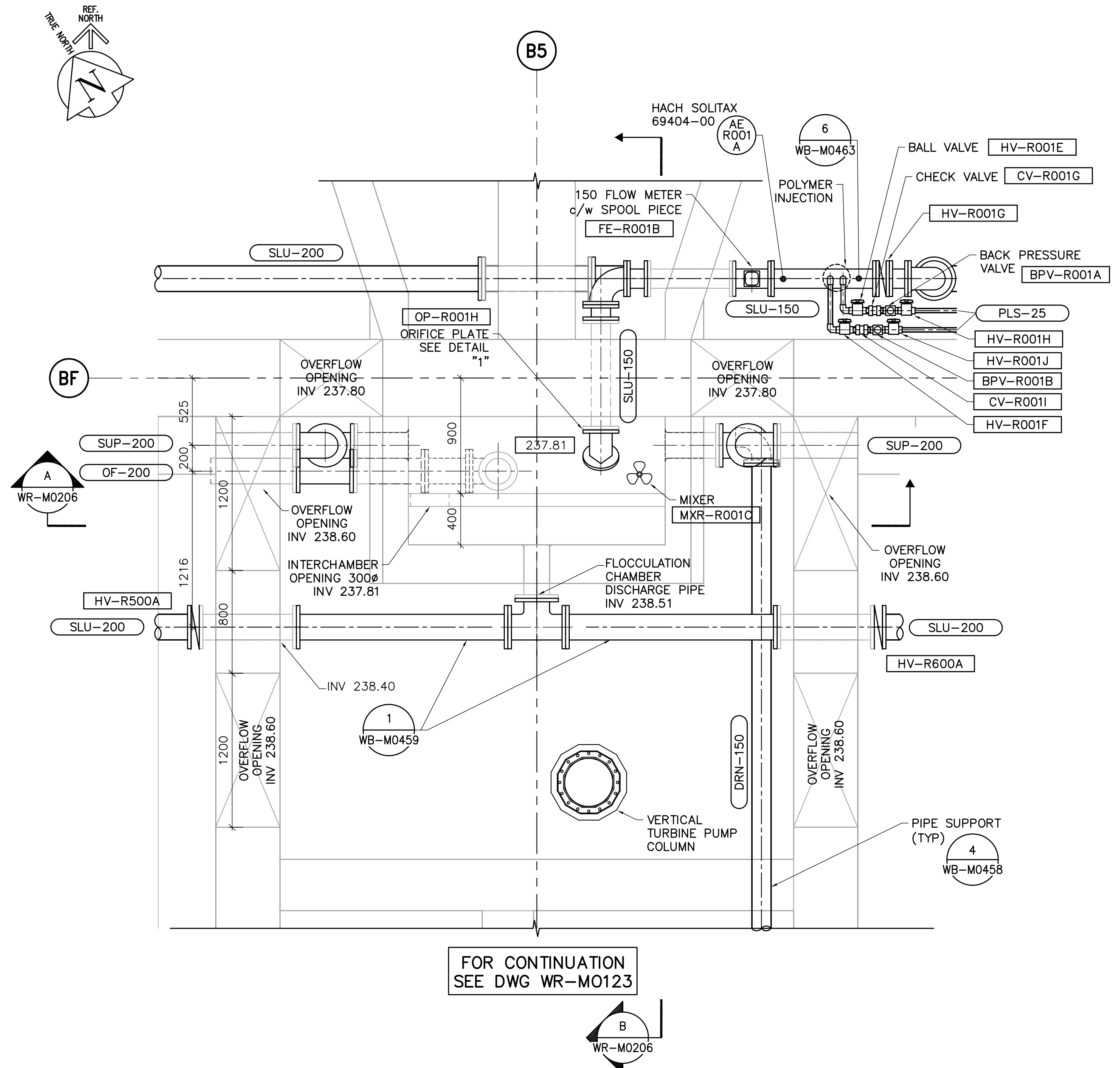
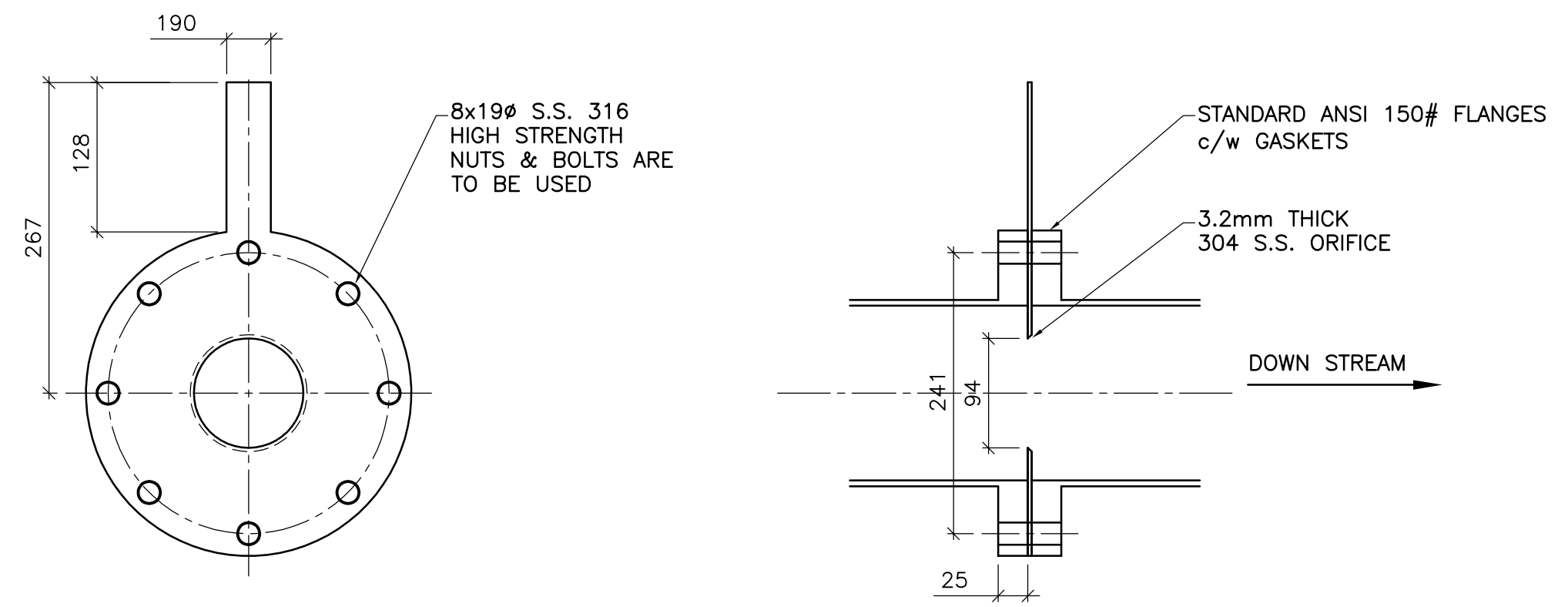


PLAN AT ELEVATION 239.410  
WR-M0121 1:25

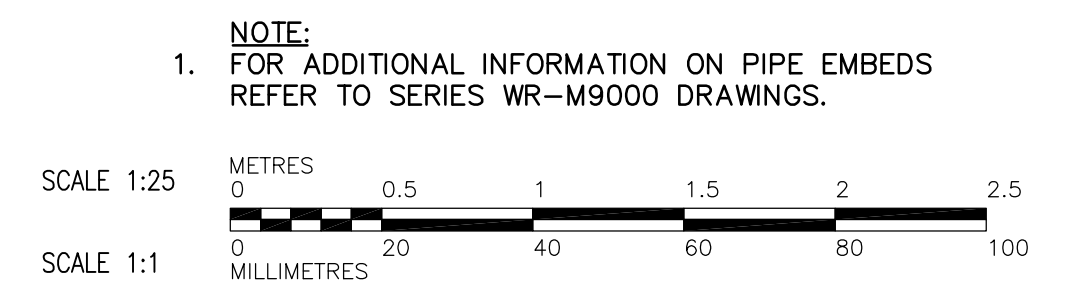


PLAN AT ELEVATION 239.000  
WR-M0111 1:25

FOR CONTINUATION  
SEE DWG WR-M0123



ORIFICE PLATE DETAIL  
1:5



<p>Certificate of Authorization Earth Tech Canada Inc. No. 730 Expiry: April 30, 2006</p>	B.M. ELEV.	<p>Frederickson Cooper ARCHITECTS</p>	<p>A Terra International Ltd. Company</p>	ENGINEER'S SEAL	<p>THE CITY OF WINNIPEG WATER AND WASTE DEPARTMENT ENGINEERING DIVISION</p>		
				DESIGNED BY: SM		CHECKED BY: SRB	ORIGINAL SIGNED BY: S.R. BILEVICIUS
				DRAWN BY: JBC		APPROVED BY: AHL	2006/03/29
				SCALE: 1:25		RELEASED FOR CONSTRUCTION BY: R. SOROKOWSKI	CONSULTANT DRAWING NO. WR-M0124
	00 ISSUED FOR TENDER 06/03/29 JBC	DATE: 2005/09/29	DATE: 2006/03/29		<p>WATER TREATMENT PLANT RESIDUALS HANDLING MECHANICAL AND ELECTRICAL</p> <p>PROCESS MECHANICAL FLOCCULATION CHAMBER PLAN</p>		
					<p>CITY FILE NUMBER</p> <p>SHEET OF</p> <p>CITY DRAWING NUMBER 1-0601R-A-M0124-001-000</p>		