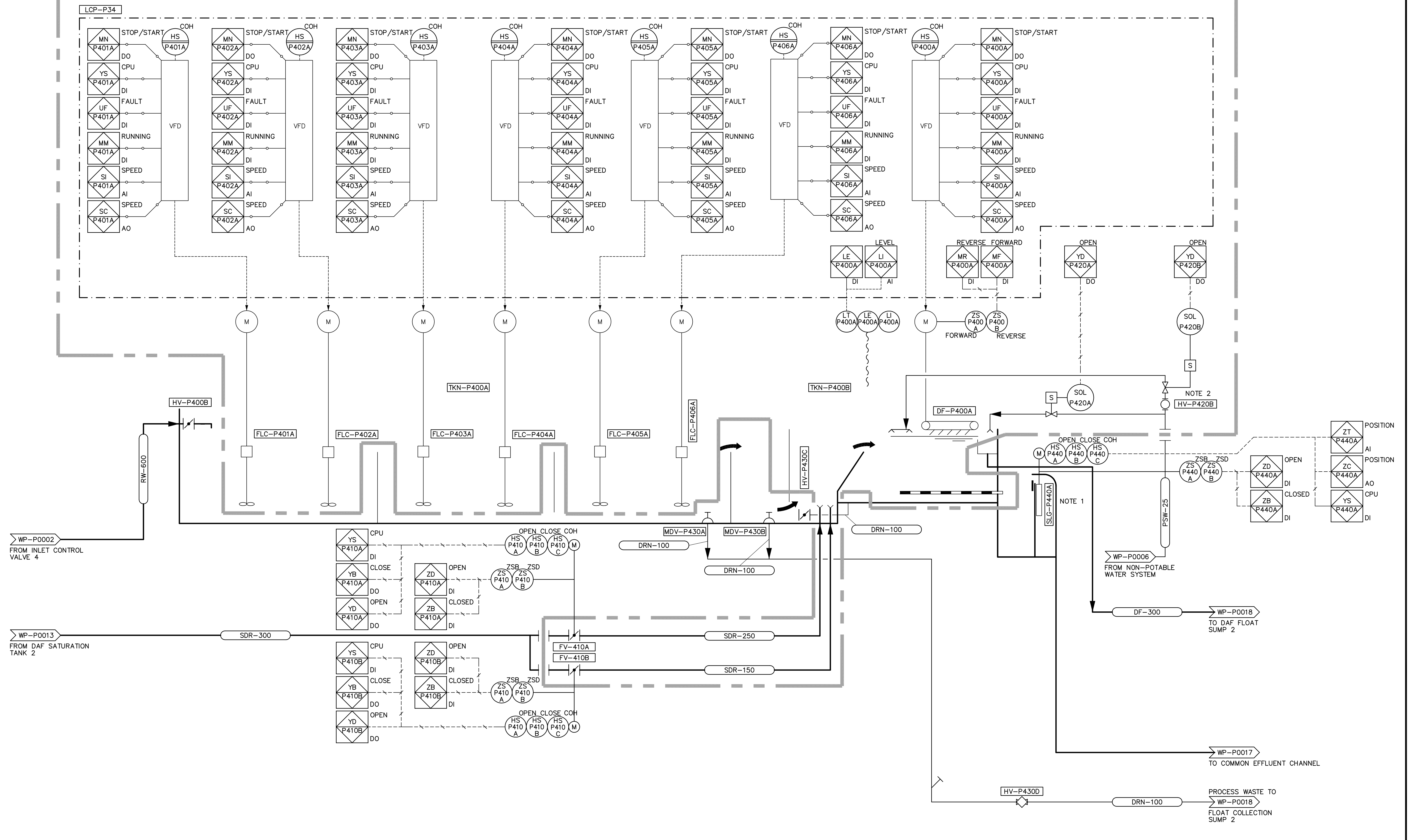


SUPPLY CONTRACTOR PACKAGE



- NOTES:
- GATE IS PART OF VENDOR PACKAGE.
 - BALL VALVE NOT PART OF LEOPOLD'S SCOPE OF SUPPLY.

APECM
 Certificate of Authorization
 Earth Tech Canada Inc.
 No. 730 Expiry: April 30, 2006

| | |
|------------|--------------------------------|
| B.M. ELEV. | |
| 00 | ISSUED FOR TENDER 06/03/29 GLG |
| NO. | REVISIONS DATE BY |
| | 2005/02/16 |

| | | | |
|---|------------------|---|---|
| CH2MHILL Frederickson Cooper ARCHITECTS | | EarthTech A Type International Ltd. Company | |
| DESIGNED BY: KAS | CHECKED BY: SMB | SCALE: NONE | RELEASED FOR CONSTRUCTION BY: R. SOROKOWSKI |
| DRAWN BY: LAE | APPROVED BY: AHL | DATE: 2005/02/16 | DATE: 2006/03/29 |

ENGINEER'S SEAL
 ORIGINAL SIGNED BY: S.M. BREESE
 2006/03/29
 CONSULTANT DRAWING NO.: WP-P0007

THE CITY OF WINNIPEG
 WATER AND WASTE DEPARTMENT
 ENGINEERING DIVISION

WATER TREATMENT PLANT
 FLOCCULATION/DAF
 MECHANICAL AND ELECTRICAL

PROCESS
 FLOCCULATION/DAF TANK 4
 PROCESS AND INSTRUMENTATION DIAGRAM

CITY FILE NUMBER
 SHEET OF
 CITY DRAWING NUMBER
 1-0601P-G-P0007-001-000