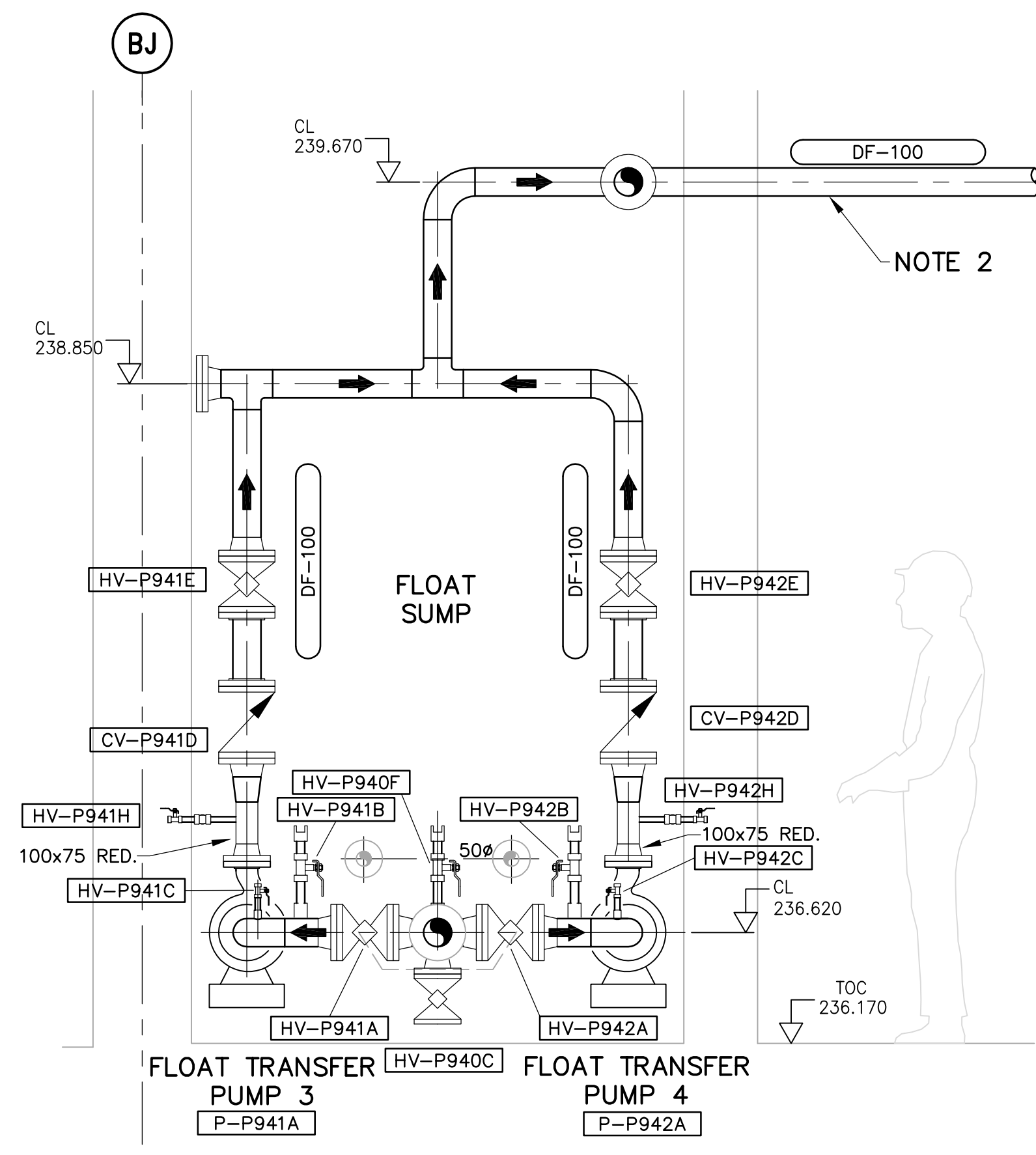
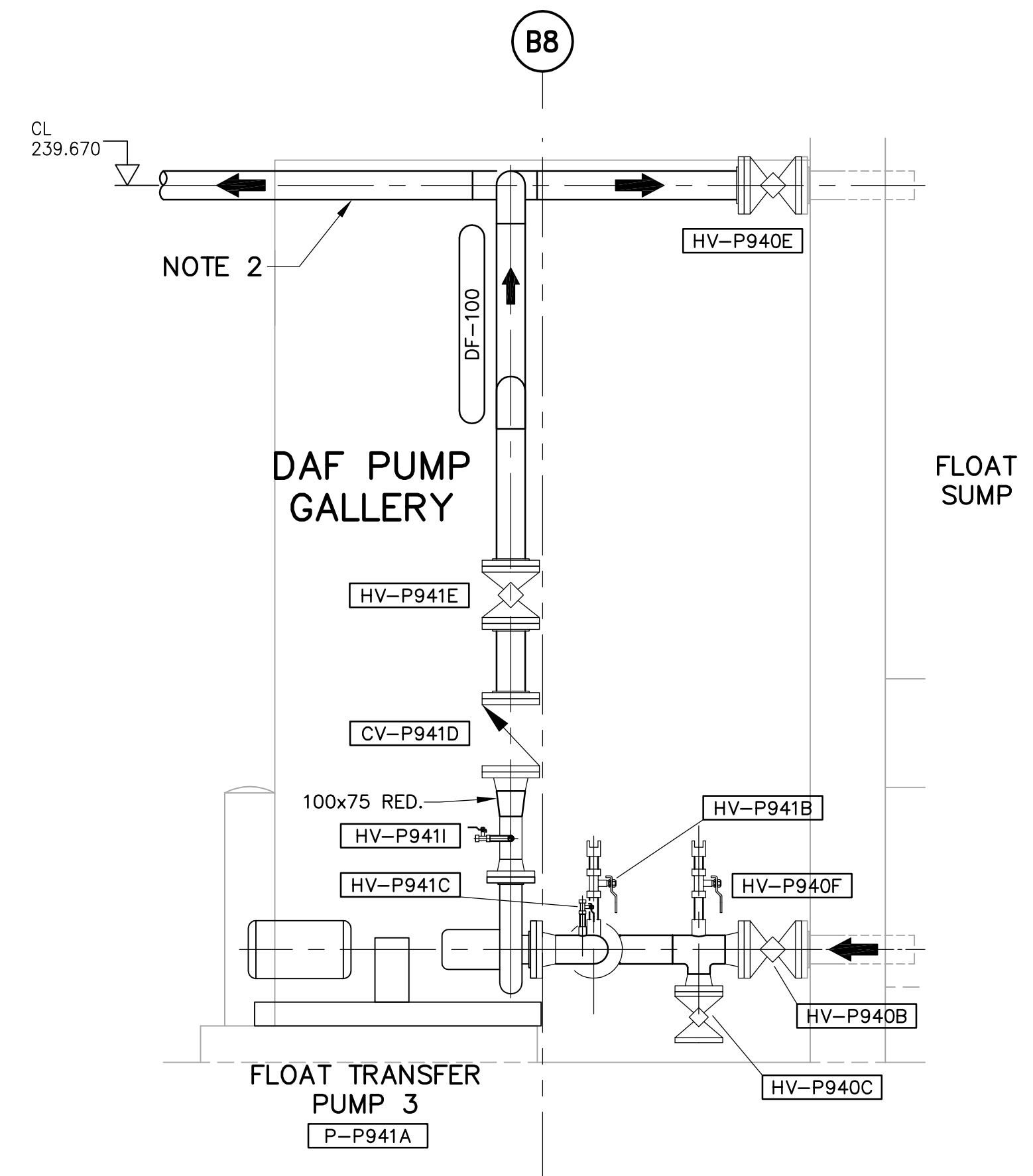


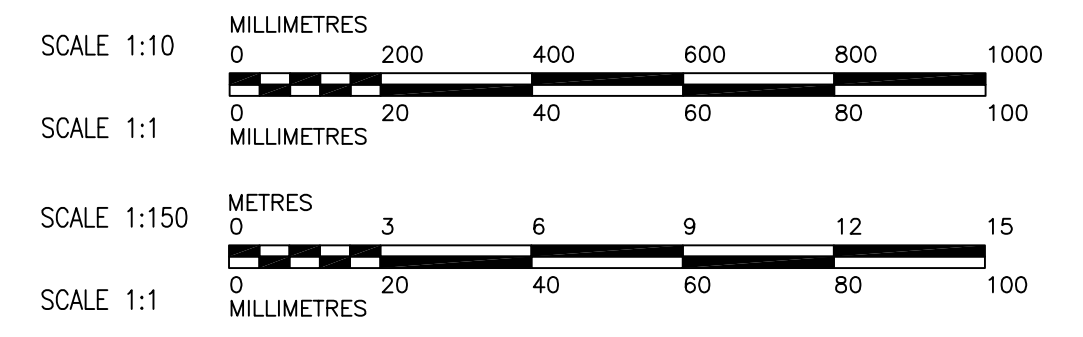
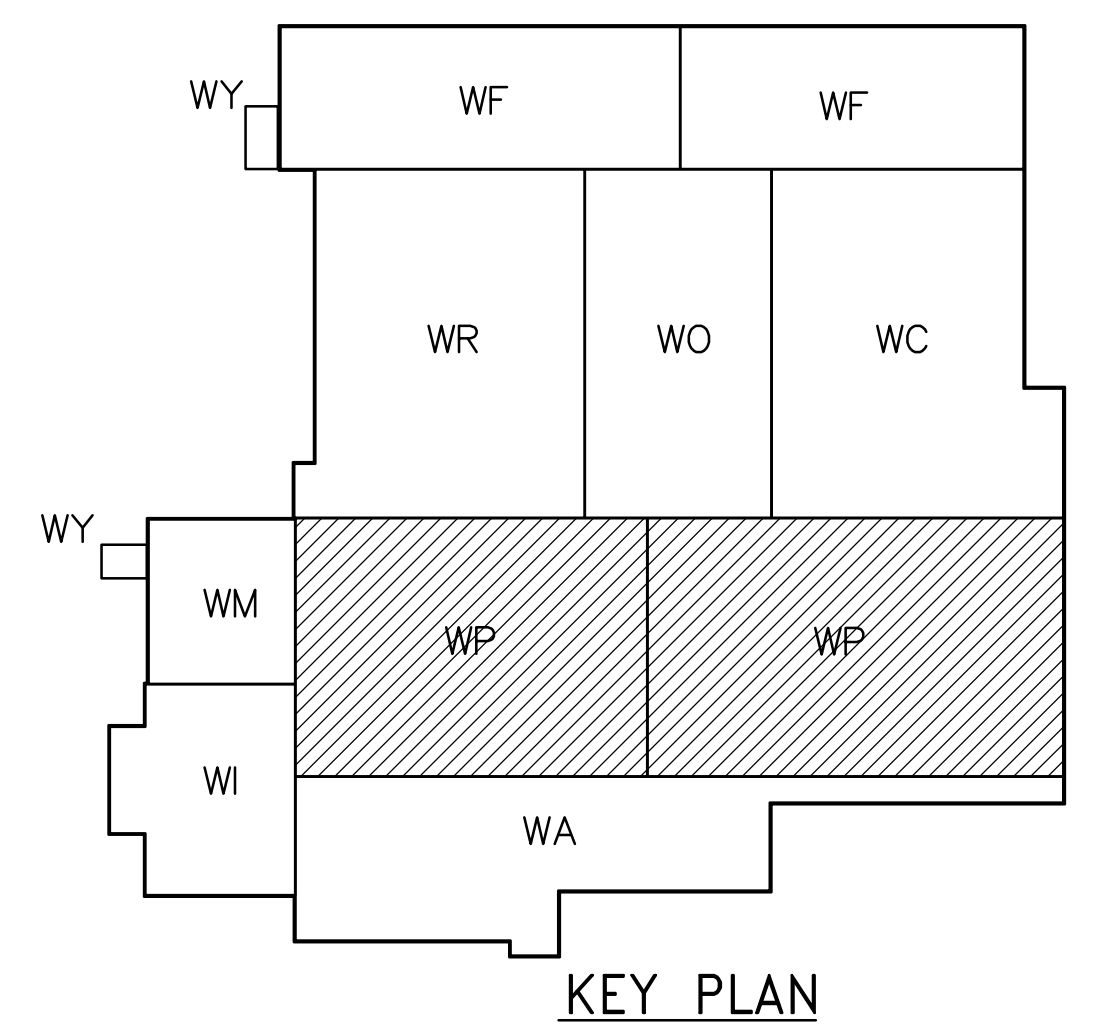
**E SECTION - OVERFLOW GATES AND SATURATION DISCHARGE LINES**  
 WP-M0115 1:150  
 WP-M0120  
 WP-M0130



**L SECTION - FLOAT PUMPS**  
 WP-M0115  
 WP-M0120  
 WP-M0209  
 WP-M0110 1:10



**E SECTION - FLOAT PUMPS**  
 WP-M0115  
 WP-M0120  
 WP-M0209  
 WP-M0110 1:10



NOTES:  
 1. FOR ADDITIONAL INFORMATION ON PIPE EMBEDS, REFER TO SERIES WP-M9000 DRAWINGS.  
 2. COORDINATE DF-100 PIPE RUN WITH UNDERSIDE OF CABLE TRAYS.  
 3. ALL SLUICE GATES TO BE SUPPLIED UNDER BID OPPORTUNITY No. 561-2005 AND INSTALLED UNDER THIS CONTRACT (742-2005)

**APEGM**  
 Certificate of Authorization  
 Earth Tech Canada Inc.  
 No. 730 Expiry: April 30, 2006

B.M. ELEV.					
DESIGNED BY	KAS	CHECKED BY	SMB	ENGINEER'S SEAL	
DRAWN BY	P.L./LPT/LC/SKY	APPROVED BY	AHL	ORIGINAL SIGNED BY	S.M. BREESE
SCALE:	1:150	RELEASED FOR CONSTRUCTION BY:	R. SOROKOWSKI	DATE	2006/03/29
NO. REVISIONS		DATE	2005/09/30	DATE	2006/03/29
00	ISSUED FOR TENDER	06/03/29	PL	CONSULTANT DRAWING NO.	WP-M0203

**CH2MHILL**  
 Frederickson Cooper ARCHITECTS

**EarthTech**  
 A Tyco International Ltd. Company

**THE CITY OF WINNIPEG**  
 WATER AND WASTE DEPARTMENT  
 ENGINEERING DIVISION

WATER TREATMENT PLANT  
 FLOCCULATION AND DAF  
 MECHANICAL AND ELECTRICAL

PROCESS MECHANICAL SECTION E

CITY FILE NUMBER  
 SHEET OF  
 CITY DRAWING NUMBER  
 1-0601P-A-M0203-001-00D