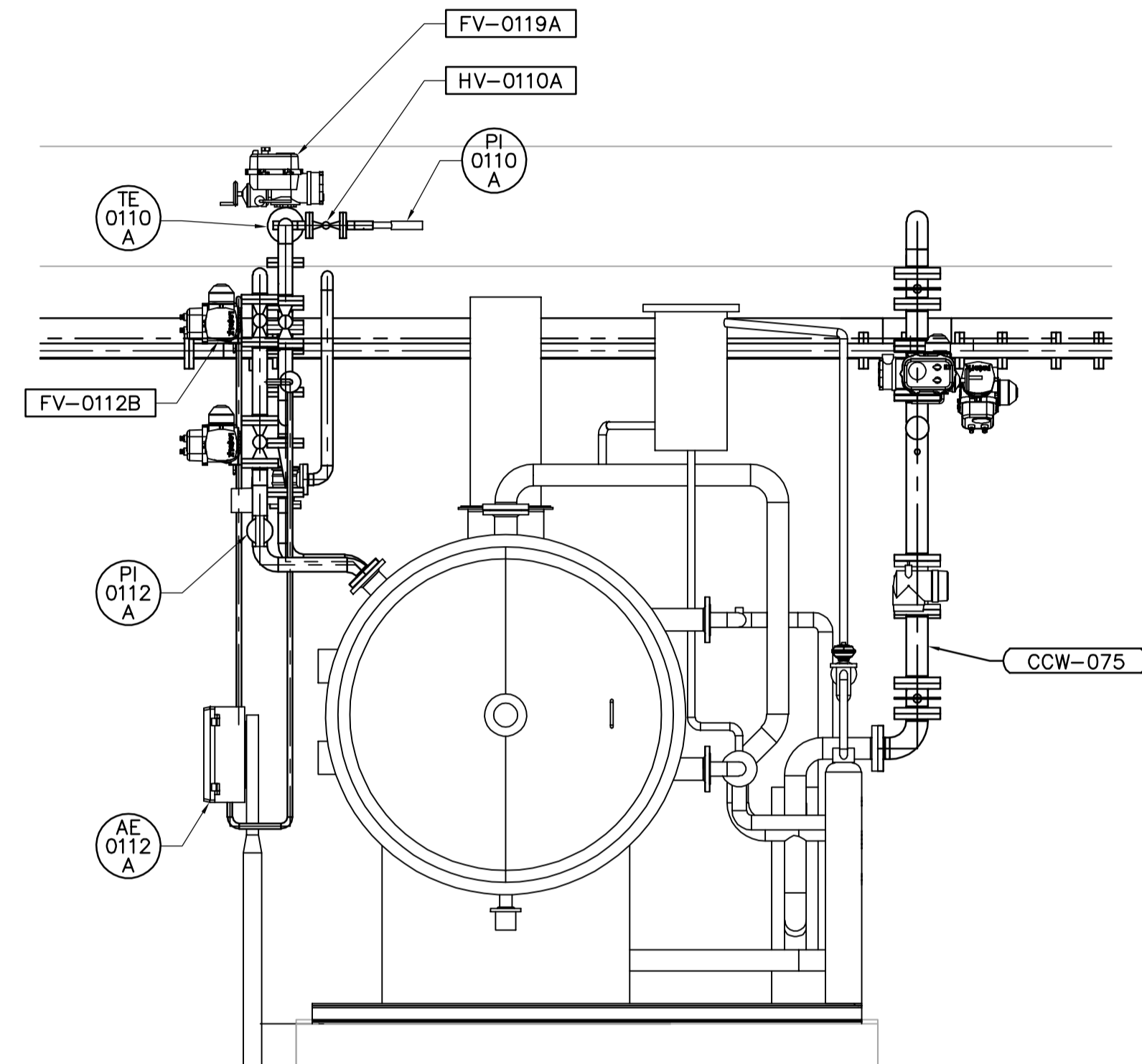
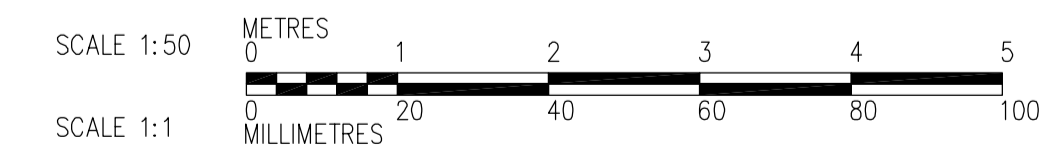


NOTES:
 1. REFER TO SUPPLY CONTRACTOR SHOP DRAWINGS FOR EQUIPMENT DETAILS.



1
 -
 -
 1:20
 DETAIL

E SECTION
 WO-M0121 1:50
 WO-M0131
 WO-M0402



 Certificate of Authorization CH2M HILL Canada Ltd. No. 1441 Expiry: April 30, 2006	 Frederickson Cooper ARCHITECTS	 A Tetra International Ltd. Company	ENGINEER'S SEAL	 THE CITY OF WINNIPEG WATER AND WASTE DEPARTMENT ENGINEERING DIVISION	CITY FILE NUMBER
			DESIGNED BY: CBE/DP CHECKED BY: EPM DRAWN BY: RWA/KM APPROVED BY: AHL SCALE: 1:50 RELEASED FOR CONSTRUCTION BY: R. SOROKOWSKI		ORIGINAL SIGNED BY: D.J. PERNITSKY DATE: 2006/03/29
B.M. ELEV.			CONSULTANT DRAWING NO. WO-M0204	WATER TREATMENT PLANT OZONE MECHANICAL AND ELECTRICAL	
NO. REVISIONS DATE BY			DATE: 2006/02/14 DATE: 2006/03/29	PROCESS MECHANICAL OZONATION AREA SECTION	
00 ISSUED FOR TENDER 06/03/29 CBE				CITY DRAWING NUMBER 1-06010-A-M0204-001-000	