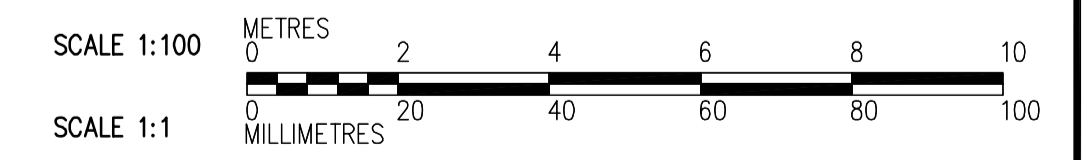
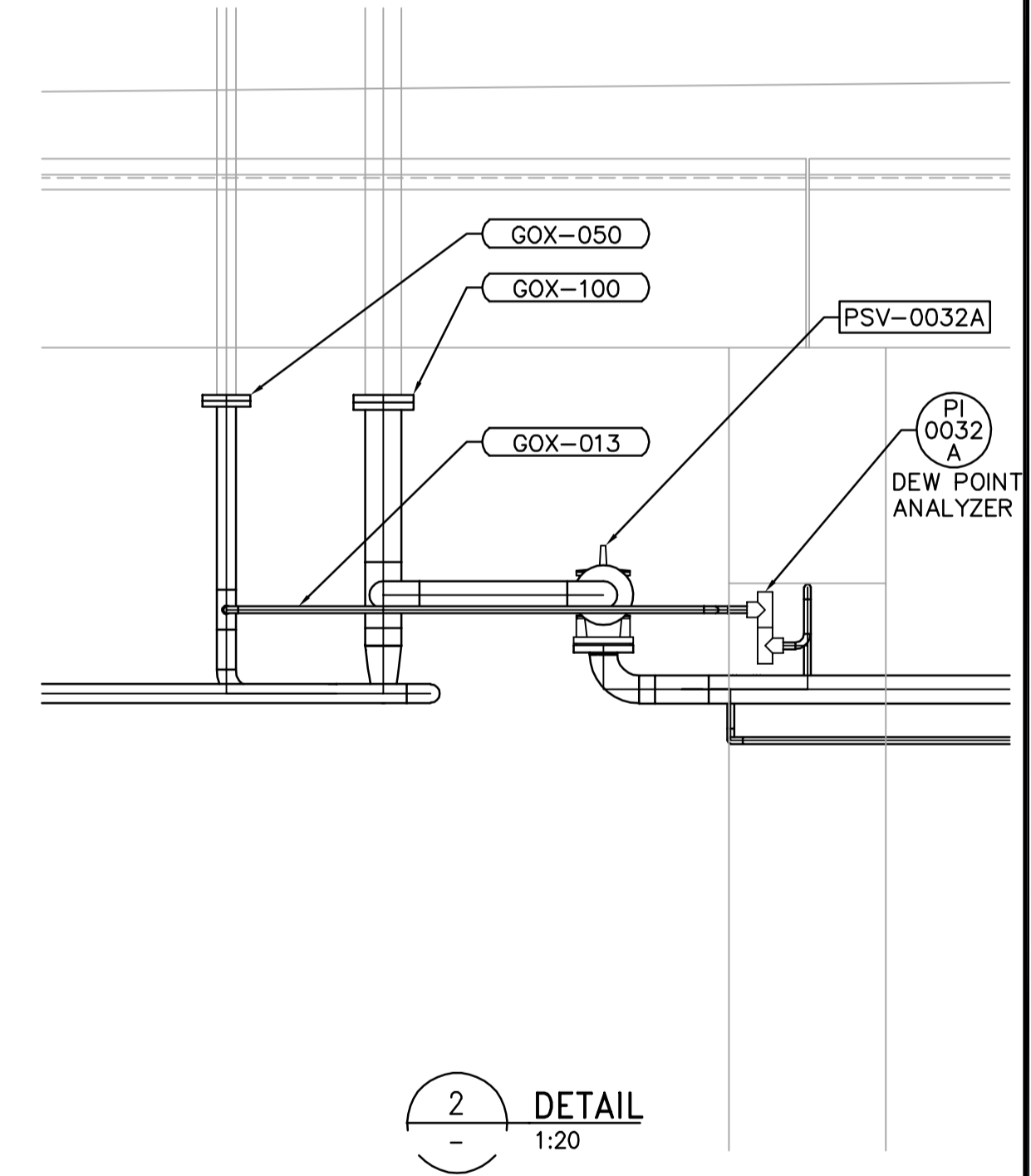
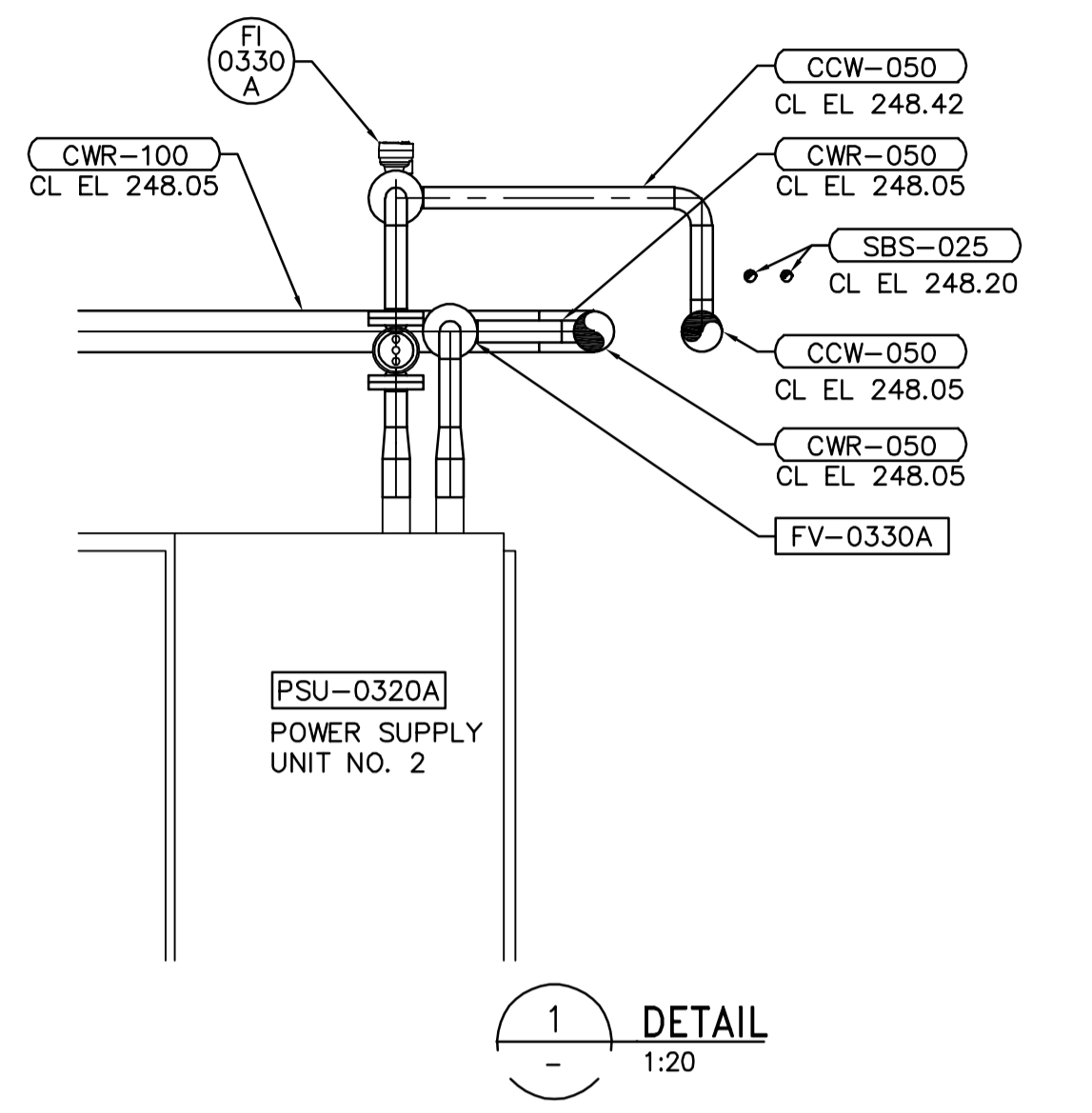


- NOTES:**
1. REFER TO SUPPLY CONTRACTOR SHOP DRAWINGS FOR EQUIPMENT DETAILS.
 2. OZONE DIFFUSERS AND OZONE GAS PIPING UP TO 0.5m FROM THE CONTACTOR WALL AND 0.5m ABOVE THE TOP OF THE DIFFUSER GRID IN CELL #1 OF BOTH CONTACTORS TO BE SUPPLIED BY THE OZONE SUPPLY CONTRACTOR.
 3. CONTACTOR WALL NOT SHOWN FOR CLARITY IN SECTION B.
 4. ALL GATES ARE SUPPLIED BY OTHERS. INSTALLATION BY THE CONTRACTOR.



A SECTION
1:100
WO-M0121
WO-M0401
WO-M0402

B SECTION
1:100
WO-M0131
WO-M0401
WO-M0402

APECM
Certificate of Authorization
CH2M HILL Canada Ltd.
No. 1441 Expiry: April 30, 2006

B.M. ELEV.	
00 ISSUED FOR TENDER	06/03/29 CBE
NO. REVISIONS	DATE BY
	2006/02/14

CH2MHILL Frederickson Cooper ARCHITECTS		EarthTech A Yoo International Ltd. Company	
DESIGNED BY	CBE/DP	CHECKED BY	EPM
DRAWN BY	RWA/KM	APPROVED BY	AHL
SCALE:	1:100	RELEASED FOR CONSTRUCTION BY:	R. SOROKOWSKI
		DATE	2006/03/29

ENGINEER'S SEAL
ORIGINAL
SIGNED BY
D.J. PERNITSKY
2006/03/29
CONSULTANT DRAWING NO.
WO-M0201

THE CITY OF WINNIPEG
WATER AND WASTE DEPARTMENT
ENGINEERING DIVISION

WATER TREATMENT PLANT
OZONE
MECHANICAL AND ELECTRICAL

PROCESS MECHANICAL
OZONATION AREA
SECTIONS

CITY FILE NUMBER
SHEET OF
CITY DRAWING NUMBER
1-06010-A-M0201-001-000