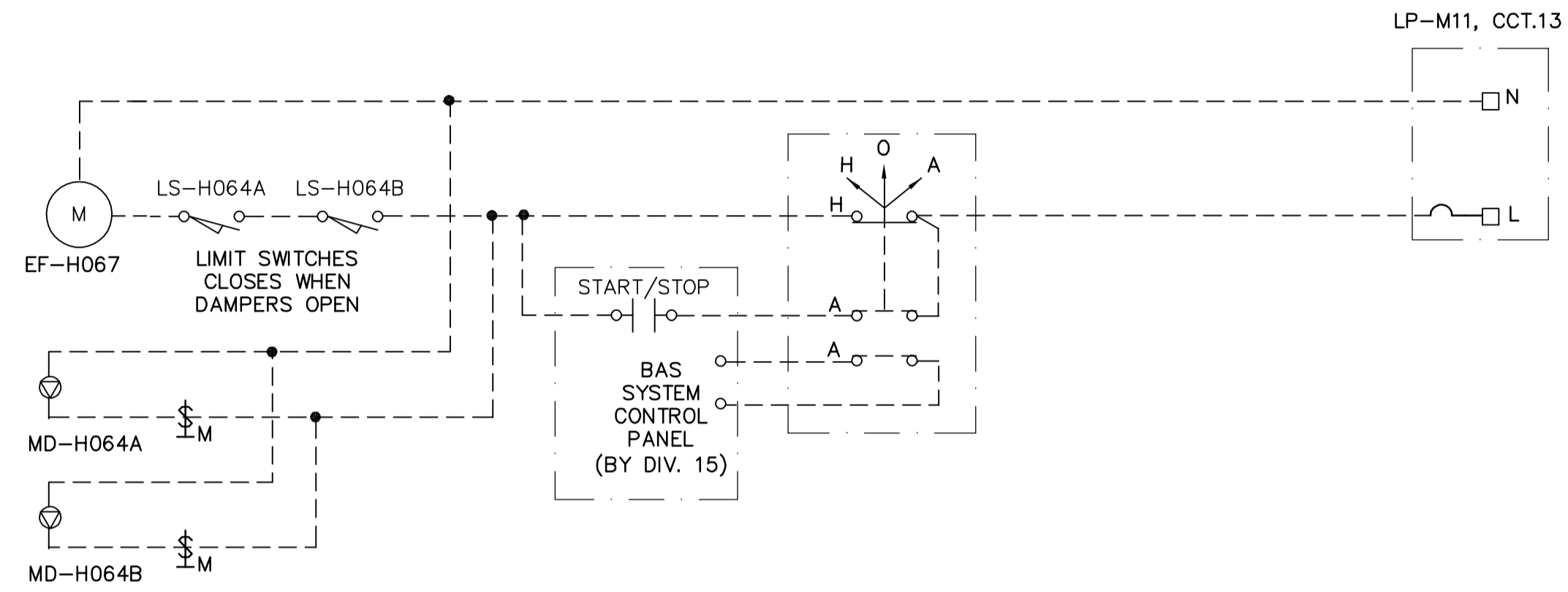


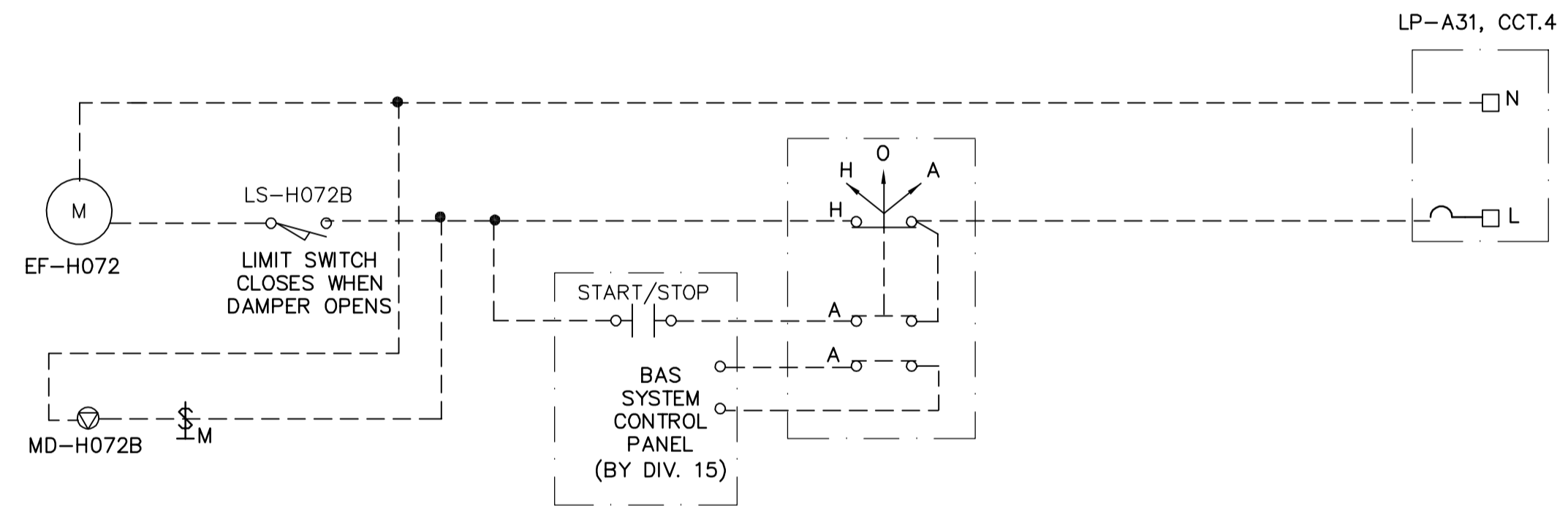
NOTES:
1. MOTOR RATED SWITCH, H O A SWITCH AND ALL FIELD WIRING BY DIVISION 16 EXCEPT WIRING TO BAS SYSTEM BY DIVISION 15.

EXHAUST FAN EF-H067



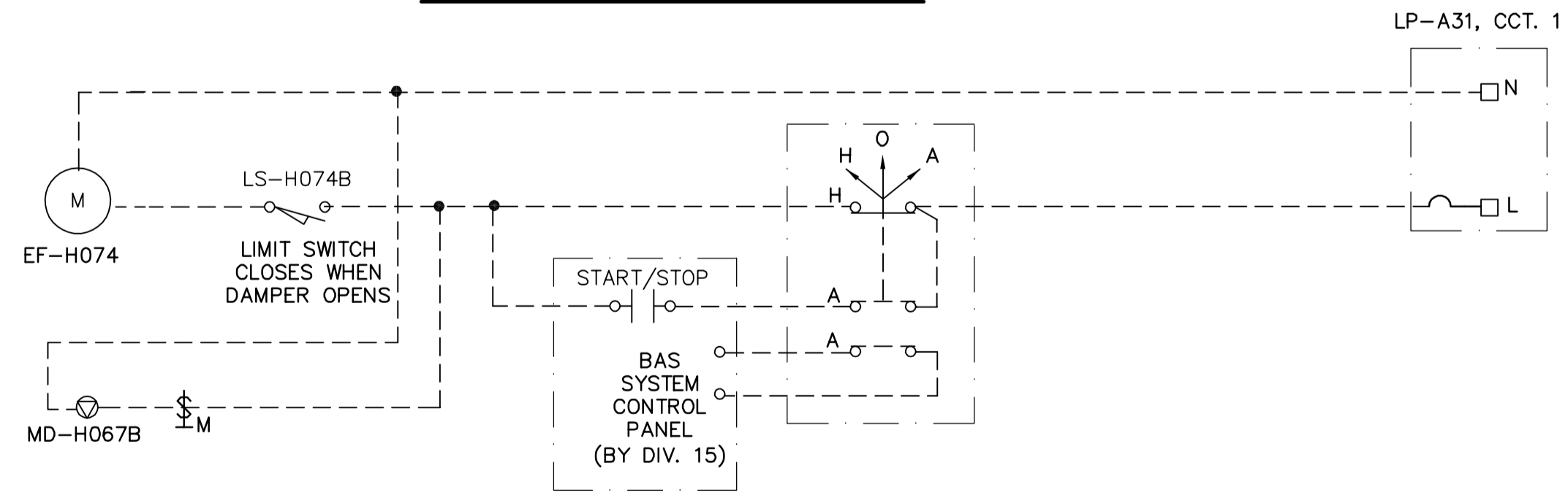
NOTES:
1. MOTOR RATED SWITCH, H O A SWITCH AND ALL FIELD WIRING BY DIVISION 16 EXCEPT WIRING TO BAS SYSTEM BY DIVISION 15.

EXHAUST FAN EF-H064



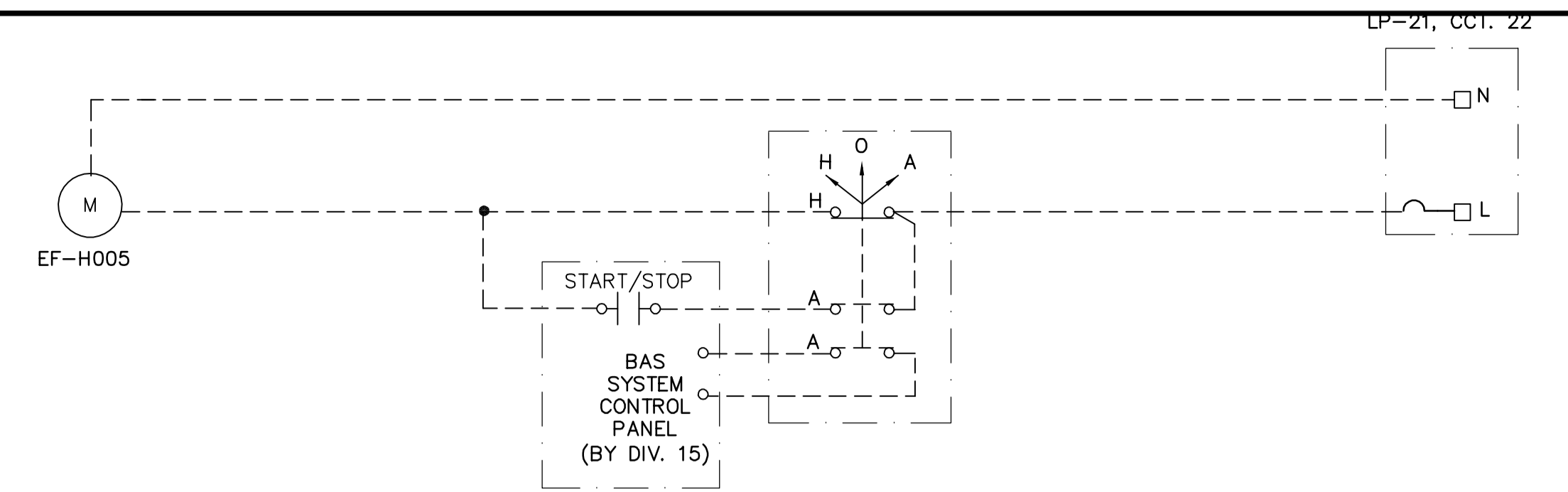
NOTES:
1. MOTOR RATED SWITCH, H O A SWITCH AND ALL FIELD WIRING BY DIVISION 16 EXCEPT WIRING TO BAS SYSTEM BY DIVISION 15.

EXHAUST FAN EF-H072



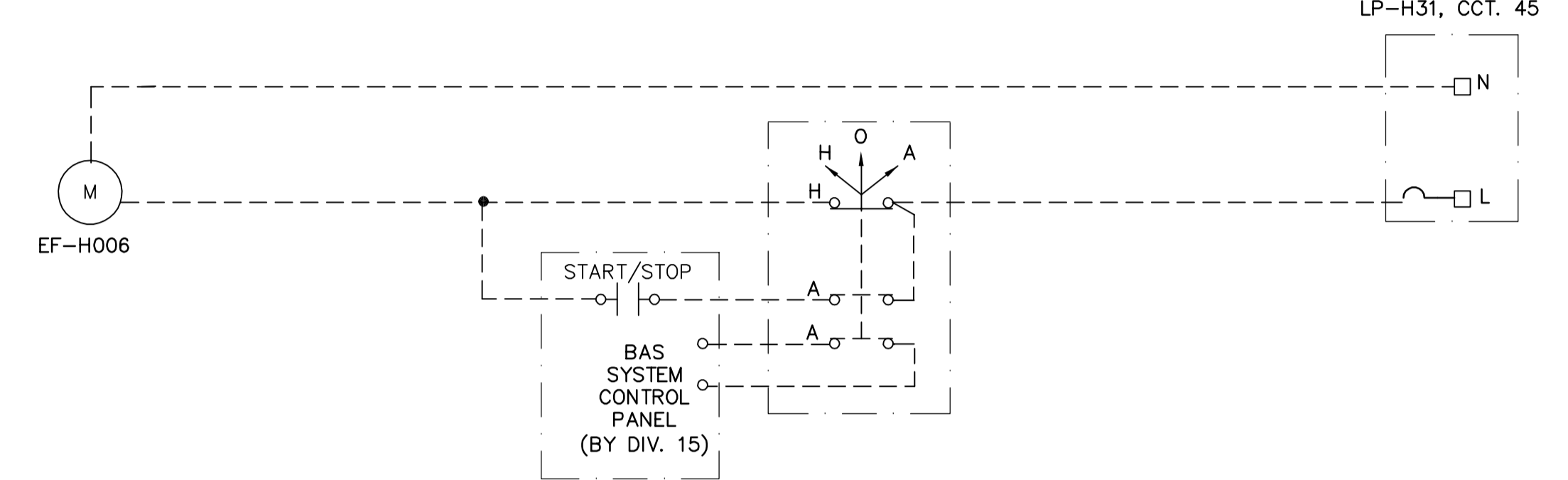
NOTES:
1. MOTOR RATED SWITCH, H O A SWITCH AND ALL FIELD WIRING BY DIVISION 16 EXCEPT WIRING TO BAS SYSTEM BY DIVISION 15.

EXHAUST FAN EF-H074



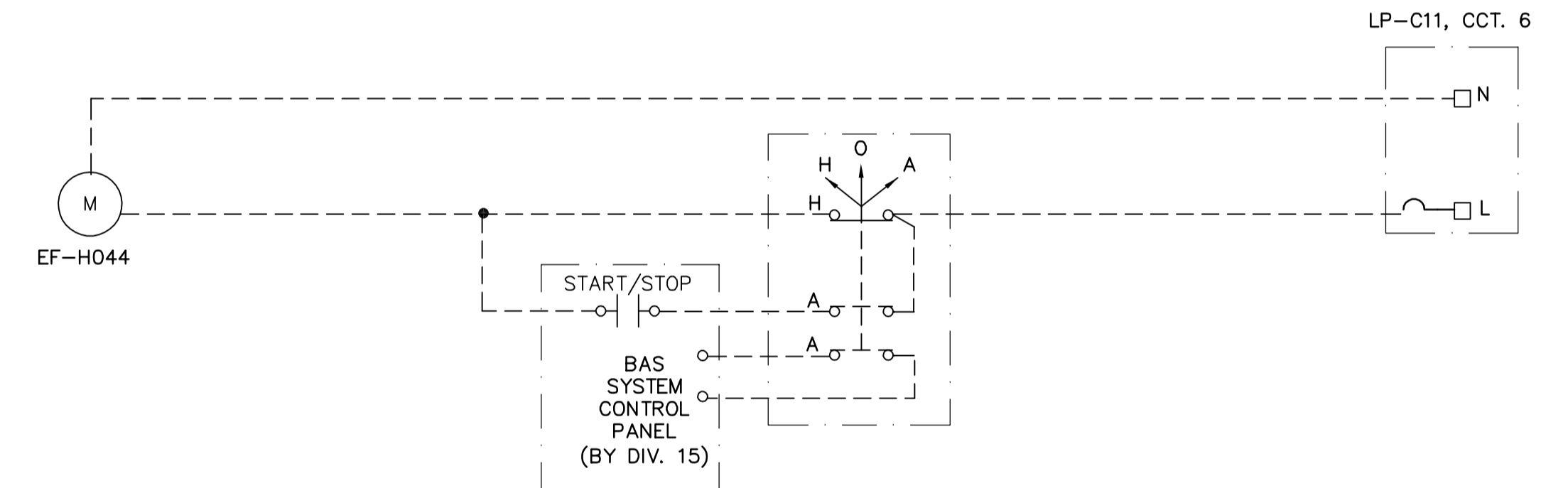
NOTES:
1. MOTOR RATED SWITCH, H O A SWITCH AND ALL FIELD WIRING BY DIVISION 16 EXCEPT WIRING TO BAS SYSTEM BY DIVISION 15.

EXHAUST FAN EF-H005



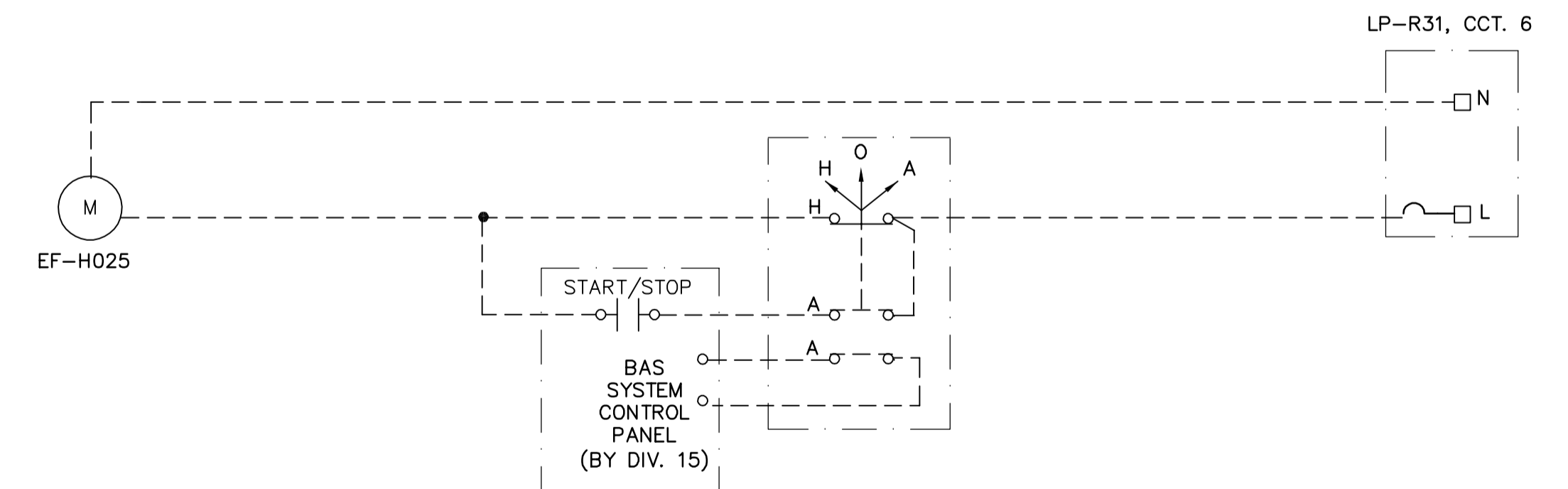
NOTES:
1. MOTOR RATED SWITCH, H O A SWITCH AND ALL FIELD WIRING BY DIVISION 16 EXCEPT WIRING TO BAS SYSTEM BY DIVISION 15.

EXHAUST FAN EF-H006



NOTES:
1. MOTOR RATED SWITCH, H O A SWITCH AND ALL FIELD WIRING BY DIVISION 16 EXCEPT WIRING TO BAS SYSTEM BY DIVISION 15.

EXHAUST FAN EF-H044



NOTES:
1. MOTOR RATED SWITCH, H O A SWITCH AND ALL FIELD WIRING BY DIVISION 16 EXCEPT WIRING TO BAS SYSTEM BY DIVISION 15.

EXHAUST FAN EF-H025



B.M. ELEV.			
DESIGNED BY	JT	CHECKED BY	ND
DRAWN BY	KJ	APPROVED BY	AHL
SCALE:	NTS	RELEASED FOR CONSTRUCTION BY:	R. SOROKOWSKI
DATE	2005/11/08	DATE	2006/03/29

CH2MHILL
Frederickson Cooper ARCHITECTS

EarthTech
A Yeo International Ltd. Company

DESIGNED BY: JT
CHECKED BY: ND
DRAWN BY: KJ
APPROVED BY: AHL
SCALE: NTS
RELEASED FOR CONSTRUCTION BY: R. SOROKOWSKI
DATE: 2005/11/08
DATE: 2006/03/29

ENGINEER'S SEAL
ORIGINAL SIGNED BY
L.D. LLEWELLYN
2006/03/29
CONSULTANT DRAWING NO.
WB-E0568

THE CITY OF WINNIPEG
WATER AND WASTE DEPARTMENT
ENGINEERING DIVISION

WATER TREATMENT PLANT
MAIN BUILDING
MECHANICAL AND ELECTRICAL

ELECTRICAL
CONTROL DIAGRAM

CITY FILE NUMBER
SHEET OF
CITY DRAWING NUMBER
1-0601B-H-E0568-001-000