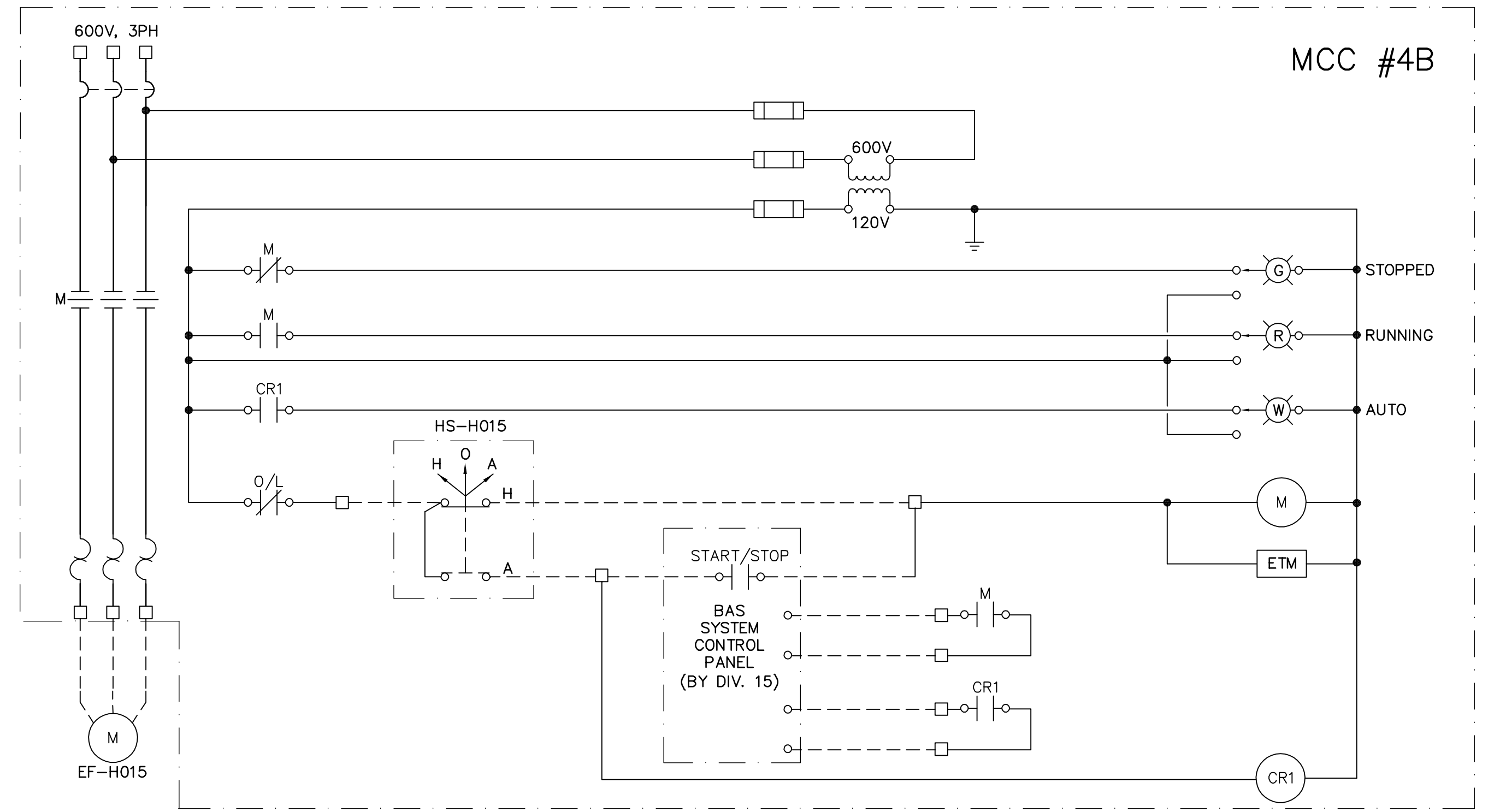


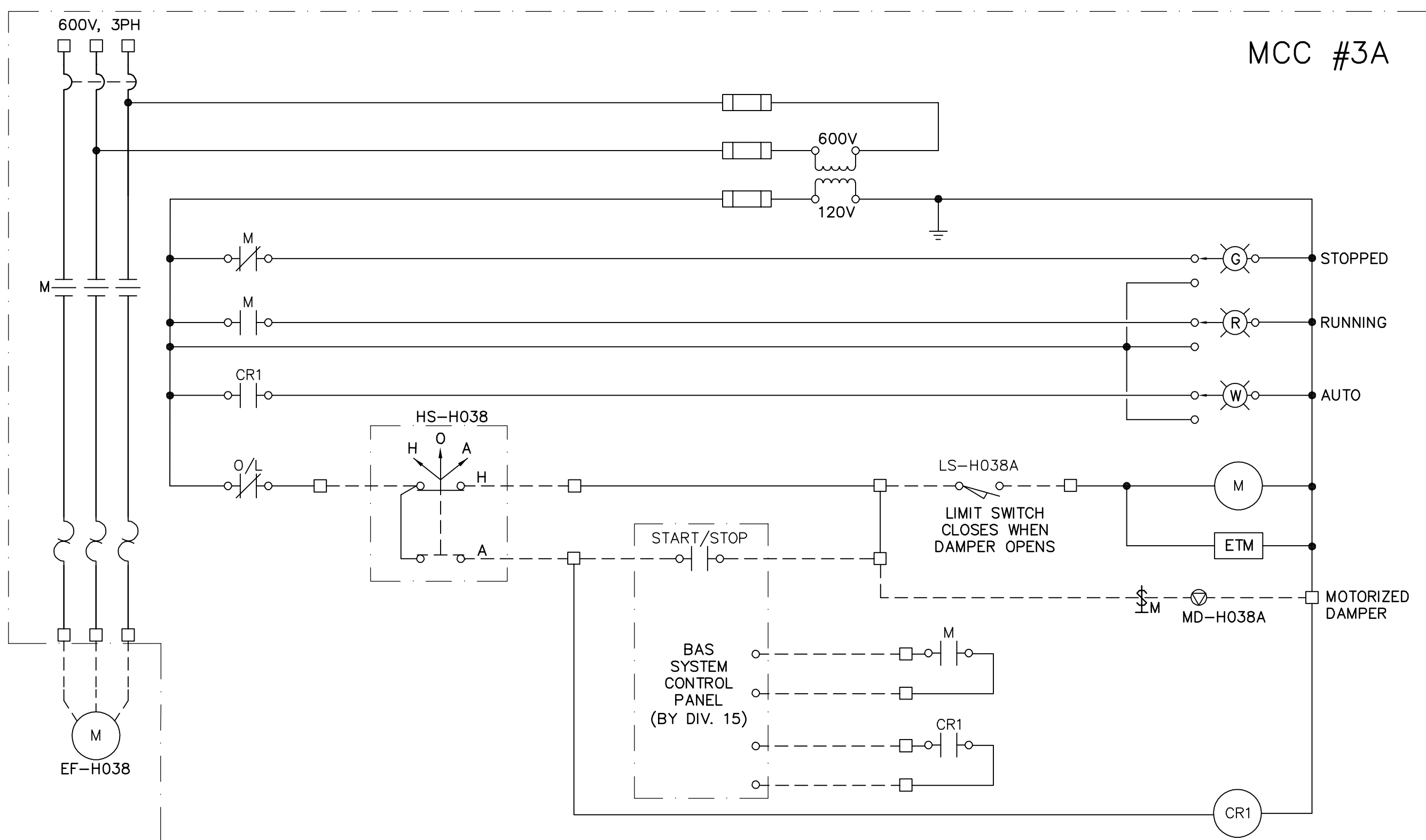
NOTES:  
1. STARTER IN MCC, H O A SWITCH AND ALL FIELD WIRING BY DIVISION 16 EXCEPT WIRING TO BAS SYSTEM BY DIVISION 15.

**EXHAUST FAN EF-H023**



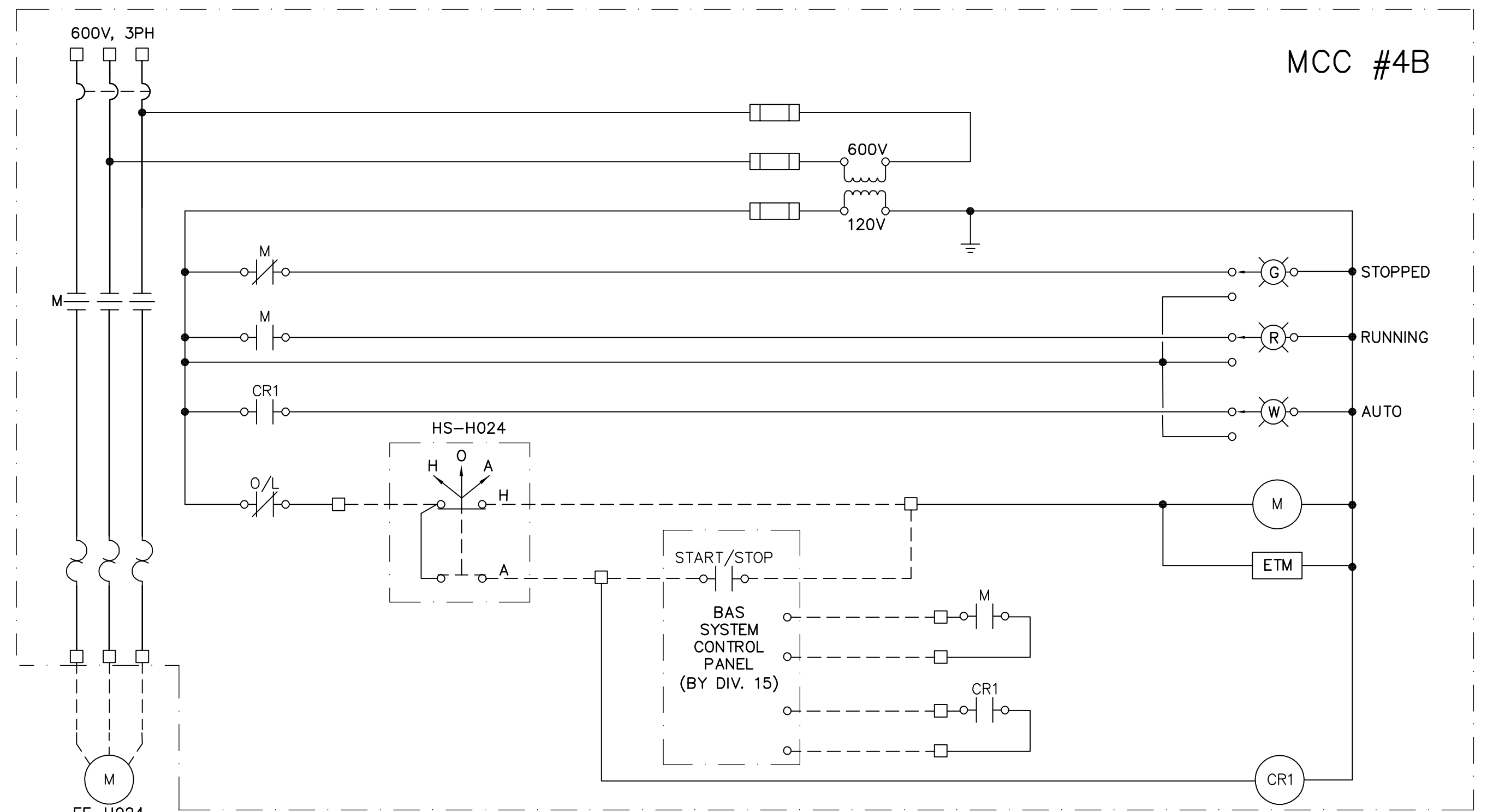
NOTES:  
1. STARTER IN MCC, H O A SWITCH AND ALL FIELD WIRING BY DIVISION 16 EXCEPT WIRING TO BAS SYSTEM BY DIVISION 15.

**EXHAUST FAN EF-H015**



NOTES:  
1. STARTER IN MCC, H O A SWITCH AND ALL FIELD WIRING BY DIVISION 16 EXCEPT WIRING TO BAS SYSTEM BY DIVISION 15.

**EXHAUST FAN EF-H038**



NOTES:  
1. STARTER IN MCC, H O A SWITCH AND ALL FIELD WIRING BY DIVISION 16 EXCEPT WIRING TO BAS SYSTEM BY DIVISION 15.

**EXHAUST FAN EF-H024**



B.M. ELEV.			
DESIGNED BY	JT	CHECKED BY	ND
DRAWN BY	KJ	APPROVED BY	AHL
SCALE:	NTS	RELEASED FOR CONSTRUCTION BY:	R. SOROKOWSKI
NO. REVISIONS	DATE	DATE	DATE
00	ISSUED FOR TENDER 06/03/29	LL	2005/11/08

 Frederickson Cooper ARCHITECTS		 A Tetra International Ltd. Company	
DESIGNED BY	JT	CHECKED BY	ND
DRAWN BY	KJ	APPROVED BY	AHL
SCALE:	NTS	RELEASED FOR CONSTRUCTION BY:	R. SOROKOWSKI
DATE	2005/11/08	DATE	2006/03/29

ENGINEER'S SEAL
ORIGINAL SIGNED BY
L.D. LLEWELLYN
2006/03/29
CONSULTANT DRAWING NO.
WB-E0566

 THE CITY OF WINNIPEG WATER AND WASTE DEPARTMENT ENGINEERING DIVISION	
WATER TREATMENT PLANT MAIN BUILDING MECHANICAL AND ELECTRICAL	CITY FILE NUMBER SHEET OF CITY DRAWING NUMBER 1-0601B-H-E0566-001-000
ELECTRICAL CONTROL DIAGRAM	