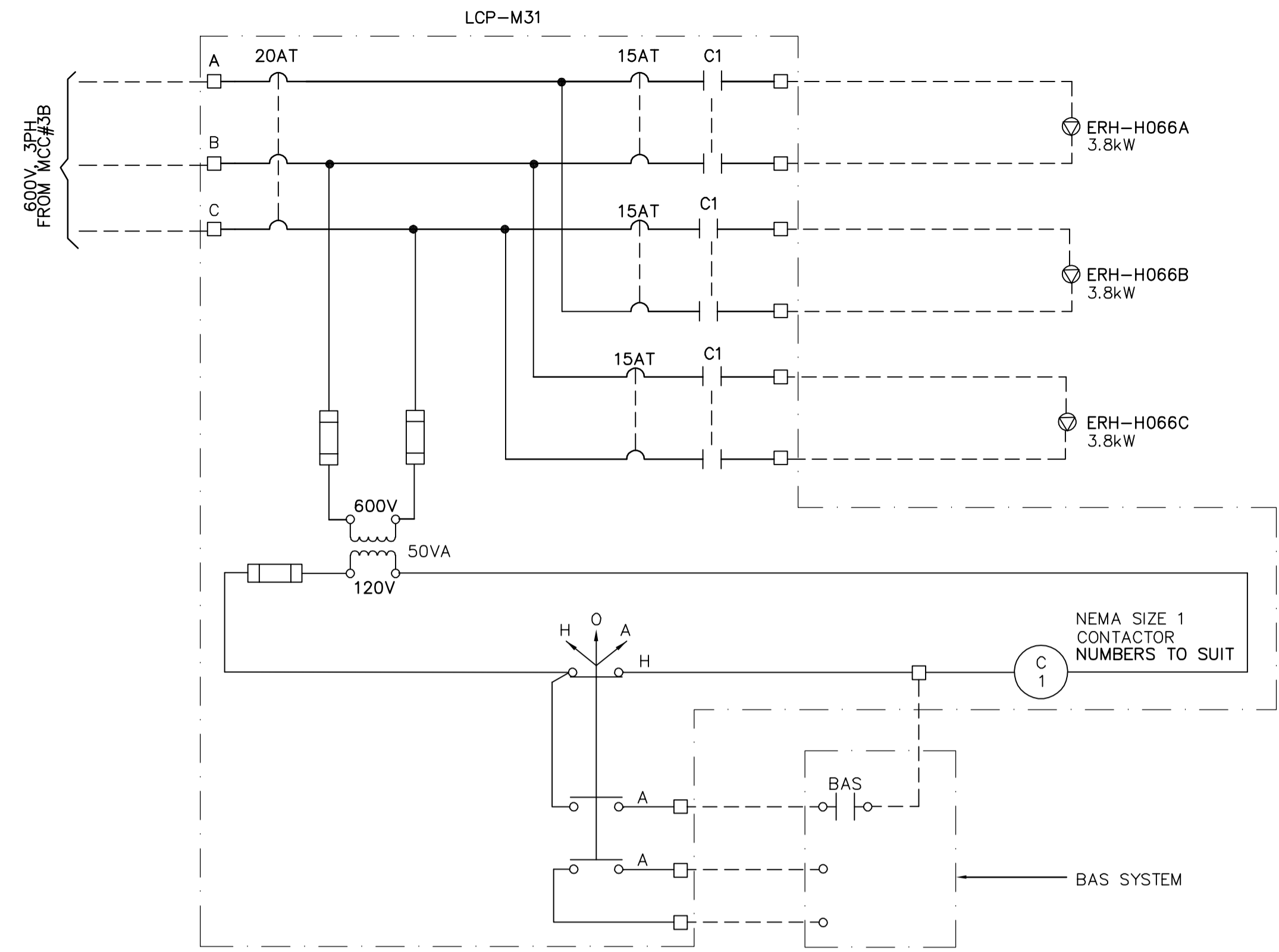
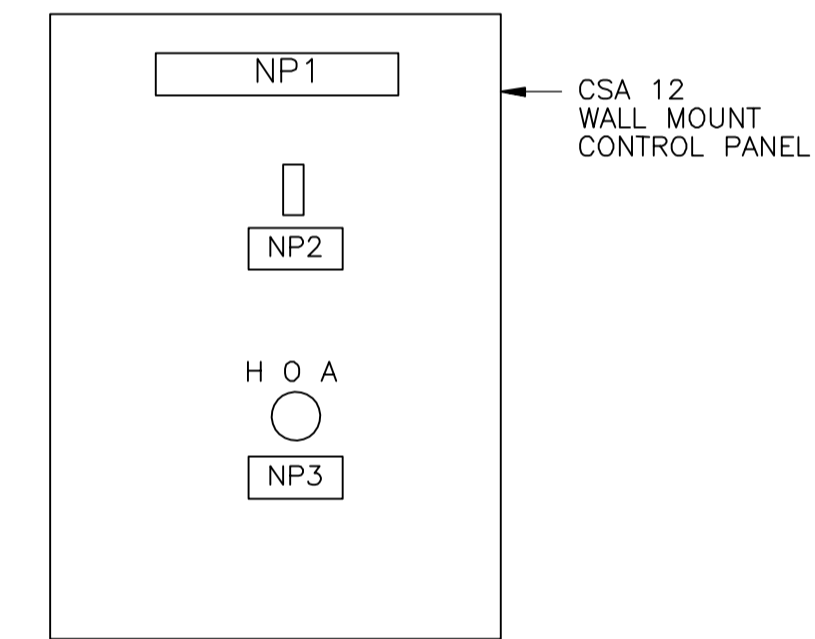


NOTES:
 1. STARTER IN MCC, H O A SWITCH AND ALL FIELD WIRING BY DIVISION 16 EXCEPT WIRING TO BAS SYSTEM BY DIVISION 15.

EXHAUST FAN EF-H073



NOTES:
 1. LCP-M31 AND ALL FIELD WIRING BY DIVISION 16 EXCEPT WIRING TO BAS SYSTEM BY DIVISION 15.



NAMEPLATES

- NP1 - RADIANT HEATER CONTROL PANEL
LCP-M31
- NP2 - MAIN DISCONNECT
- NP3 - H O A SELECTOR SWITCH

RADIANT HEATERS - MECHANICAL ROOM No. 1

 Certificate of Authorization CH2M HILL Canada Ltd. No. 1441 Expiry: April 30, 2006	B.M. ELEV.	 Frederickson Cooper ARCHITECTS	 A Yoo International Ltd. Company	ENGINEER'S SEAL ORIGINAL SIGNED BY L.D. LLEWELLYN 2006/03/29	 THE CITY OF WINNIPEG WATER AND WASTE DEPARTMENT ENGINEERING DIVISION WATER TREATMENT PLANT MAIN BUILDING MECHANICAL AND ELECTRICAL ELECTRICAL CONTROL DIAGRAM	CITY FILE NUMBER	
	00 ISSUED FOR TENDER NO. REVISIONS	06/03/29 DATE	LL BY	DATE 2005/11/08		DATE 2006/03/29	SHEET OF
						CITY DRAWING NUMBER 1-0601B-H-E0564-001-000	