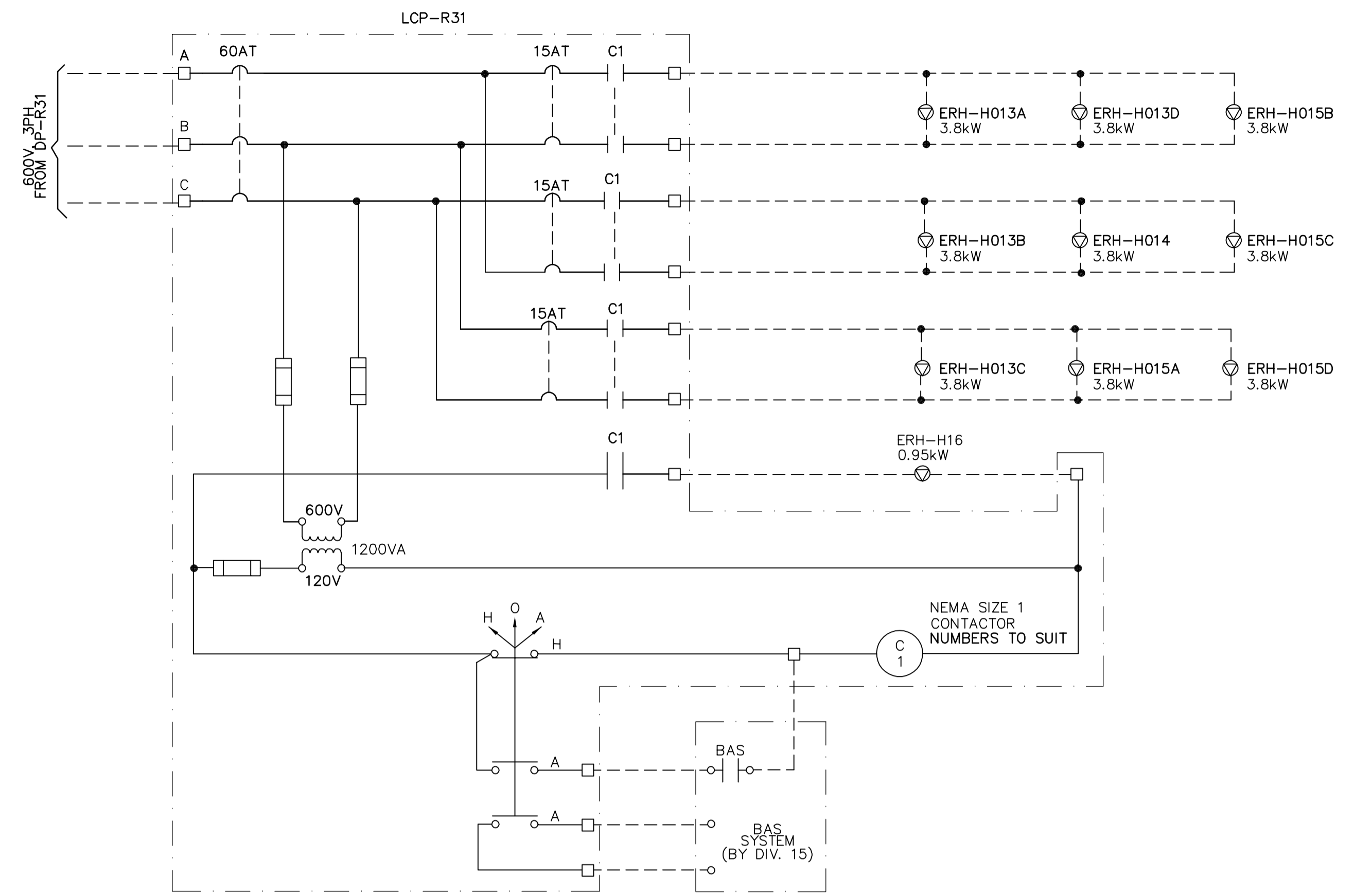


NOTES:

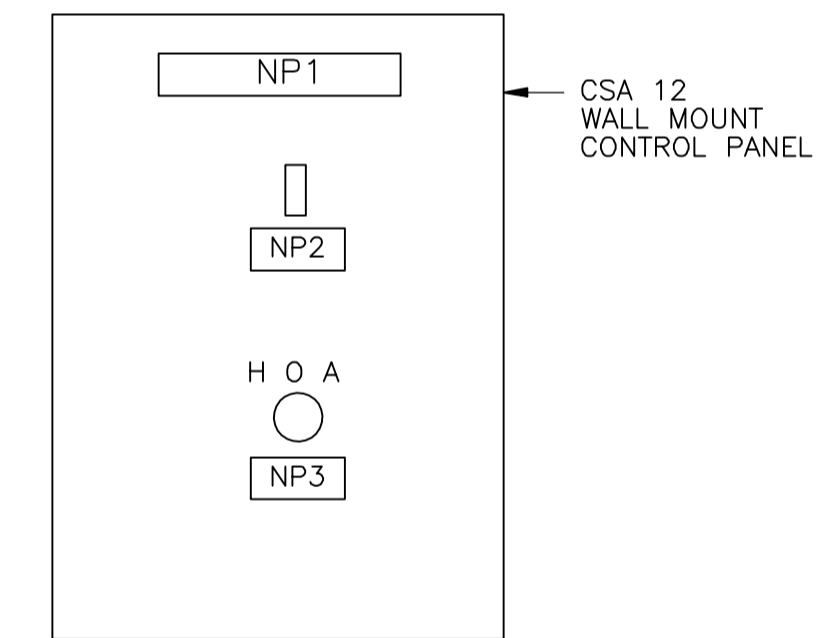
- PUMP OPERATION:**
PUMP STARTS AGAINST A CLOSED VALVE. WHEN THE PUMP IS STARTED, THE SOLENOID CONTROL IS ENERGIZED AND THE VALVE BEGINS TO OPEN SLOWLY, GRADUALLY INCREASING LINE PRESSURE TO FULL PUMPING HEAD. WHEN THE PUMP IS SIGNALLED TO SHUT-OFF, THE SOLENOID CONTROL IS DE-ENERGIZED AND THE VALVE BEGINS TO CLOSE SLOWLY, GRADUALLY REDUCING FLOW WHILE PUMP CONTINUES TO RUN. WHEN THE VALVE IS CLOSED THE LIMIT SWITCH RELEASES THE STARTER AND THE PUMP STOPS.

SUPERNATANT PUMP 3 (P-R023A)



NOTES:

- LCP-R31 AND ALL FIELD WIRING BY DIVISION 16 EXCEPT WIRING TO BAS SYSTEM BY DIVISION 15.



NAMEPLATES

- NP1 - RADIANT HEATER CONTROL PANEL
LCP-R31
- NP2 - MAIN DISCONNECT
- NP3 - H O A SELECTER SWITCH

RADIANT HEATERS – MECHANICAL ROOM No. 2

 APEGN Certificate of Authorization CH2M HILL Canada Ltd. No. 1441 Expiry: April 30, 2006	B.M. ELEV.	 Frederickson Cooper ARCHITECTS	 A Yoo International Ltd. Company	ENGINEER'S SEAL	 THE CITY OF WINNIPEG WATER AND WASTE DEPARTMENT ENGINEERING DIVISION
	00 ISSUED FOR TENDER 06/03/29 LL			DESIGNED BY JT CHECKED BY ND	
NO. REVISIONS	DATE BY	SCALE: NTS	RELEASED FOR CONSTRUCTION BY: R. SOROKOWSKI	CONSULTANT DRAWING NO. WB-E0562	ELECTRICIAN CONTROL DIAGRAM
DATE 2005/11/08	DATE 2006/03/29				CITY FILE NUMBER SHEET OF CITY DRAWING NUMBER 1-0601B-H-E0562-001-000