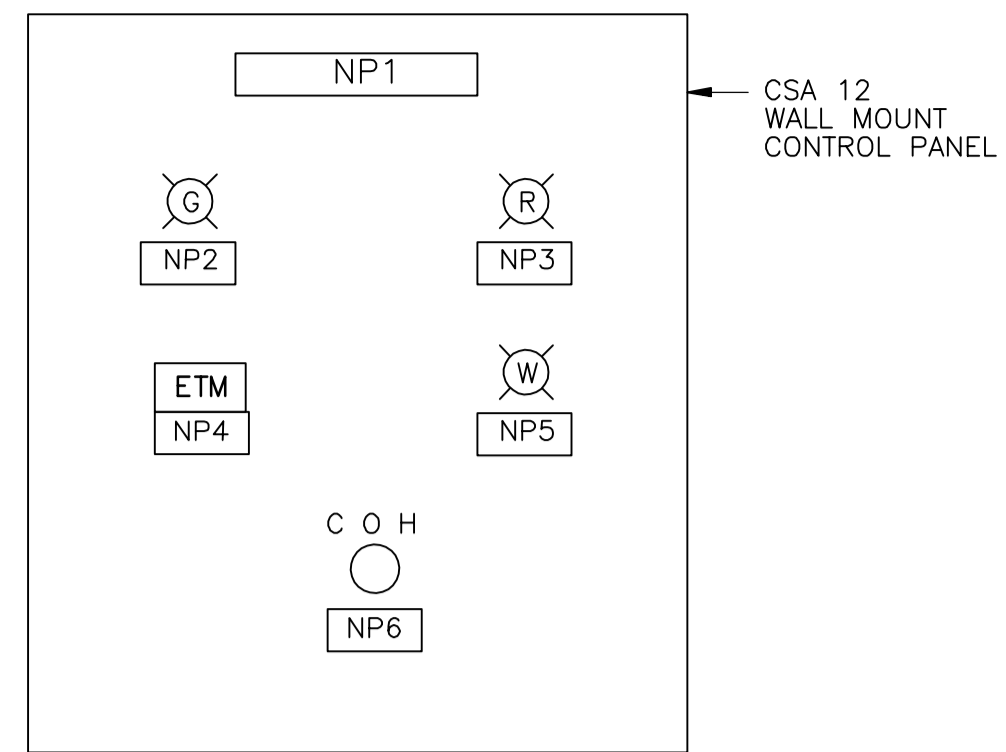


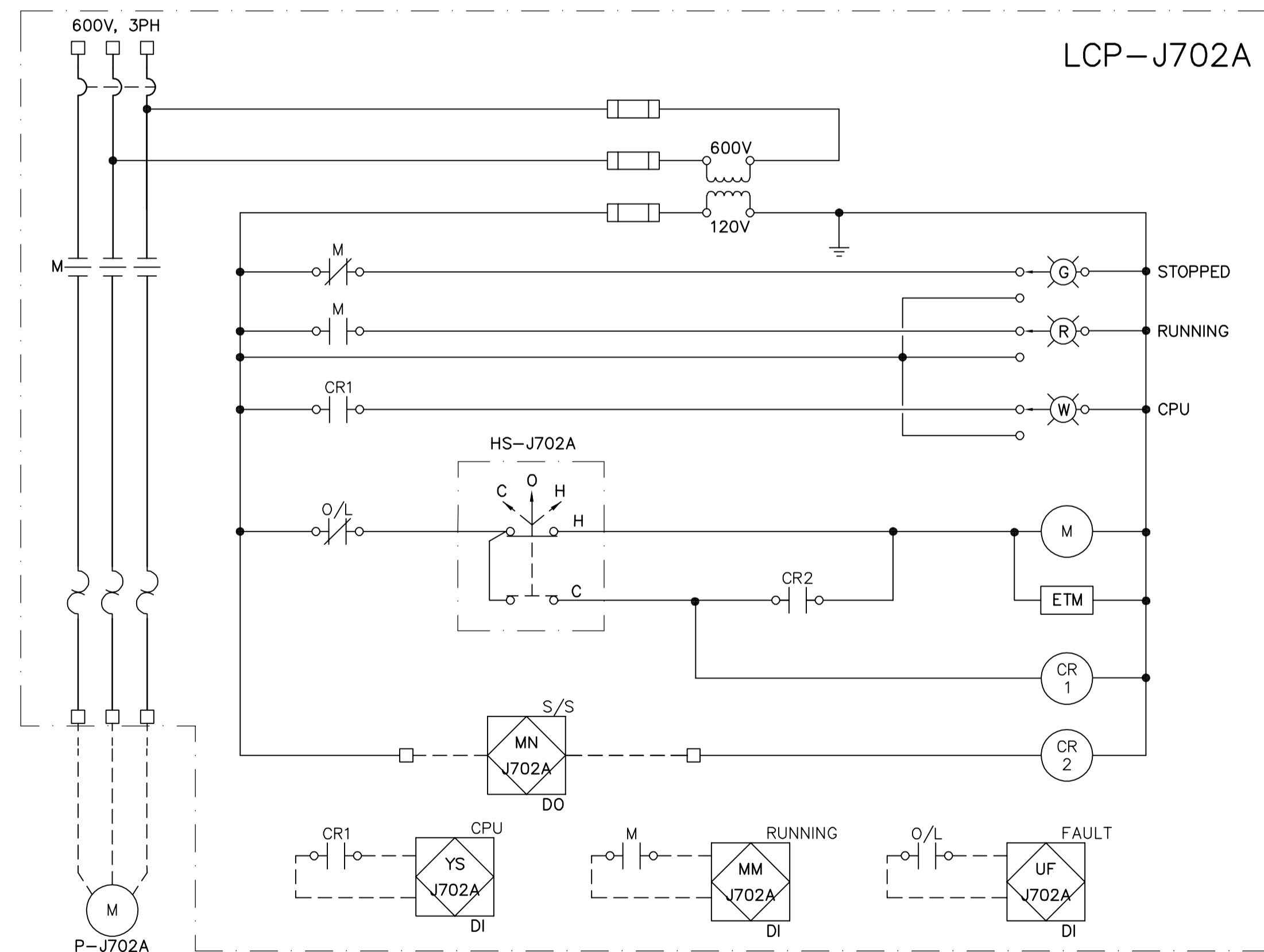
LCP-J701A

NOZZLE WATER WATER PUMP #1 (P-J701A)



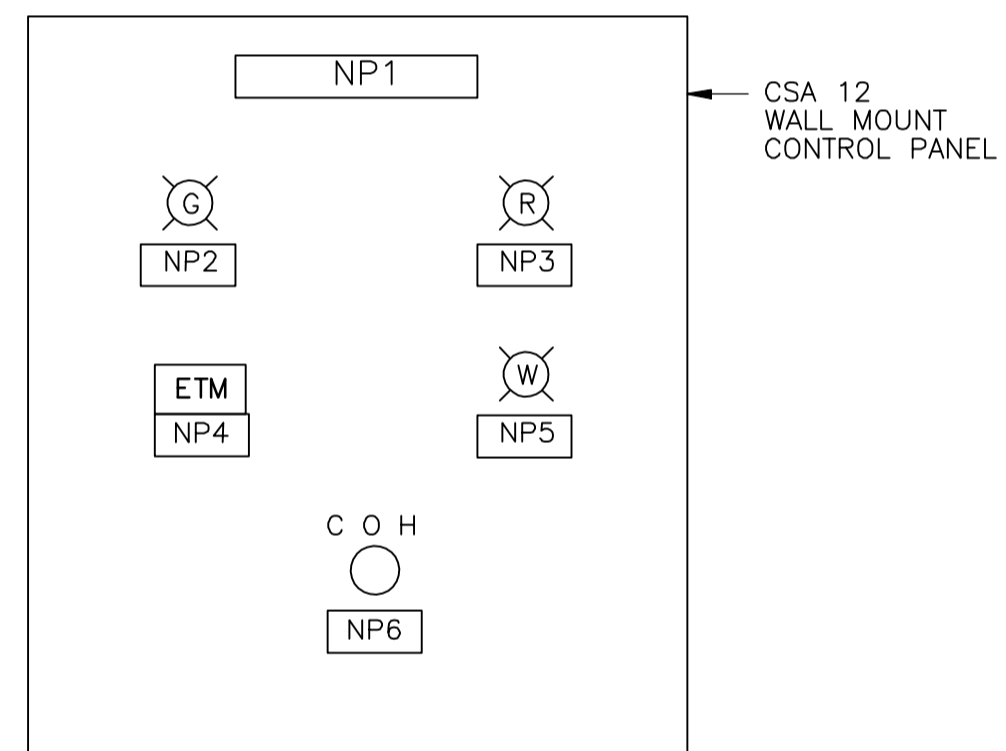
**NAMEPLATES**

- NP1 - NOZZLE WATER PUMP 1 CONTROL PANEL  
LCP-J701A
- NP2 - STOPPED
- NP3 - RUNNING
- NP4 - RUN TIME
- NP5 - CPU
- NP6 - HS-J701A



LCP-J702A

NOZZLE WATER WATER PUMP #1 (P-J702A)



**NAMEPLATES**

- NP1 - NOZZLE WATER PUMP 1 CONTROL PANEL  
LCP-J702A
- NP2 - STOPPED
- NP3 - RUNNING
- NP4 - RUN TIME
- NP5 - CPU
- NP6 - HS-J702A



B.M. ELEV.			
00	ISSUED FOR TENDER	06/03/29	LL
NO.	REVISIONS	DATE	BY

<b>CH2MHILL</b> Frederickson Cooper ARCHITECTS		<b>EarthTech</b> A Geo International Ltd. Company	
DESIGNED BY	JT	CHECKED BY	ND
DRAWN BY	KJ	APPROVED BY	AHL
SCALE:	NTS	RELEASED FOR CONSTRUCTION BY:	R. SOROKOWSKI
DATE	2005/11/08	DATE	2006/03/29

ENGINEER'S SEAL
ORIGINAL SIGNED BY
L.D. LLEWELLYN
2006/03/29
CONSULTANT DRAWING NO.
WB-E0552

**THE CITY OF WINNIPEG**  
WATER AND WASTE DEPARTMENT  
ENGINEERING DIVISION

WATER TREATMENT PLANT  
MAIN BUILDING  
MECHANICAL AND ELECTRICAL

ELECTRICAL  
CONTROL DIAGRAM

CITY FILE NUMBER	
SHEET OF	
CITY DRAWING NUMBER	1-0601B-H-E0552-001-000