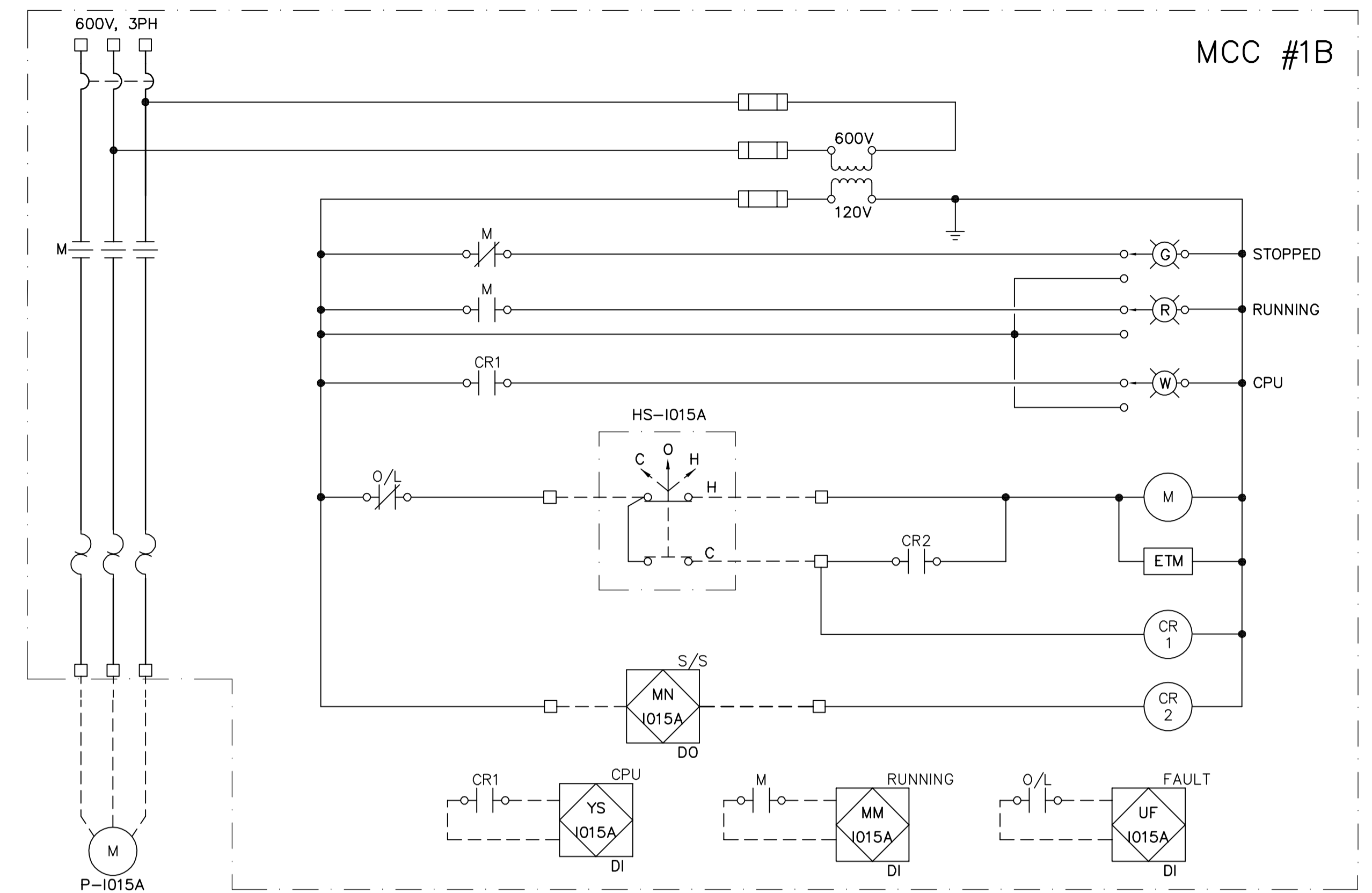
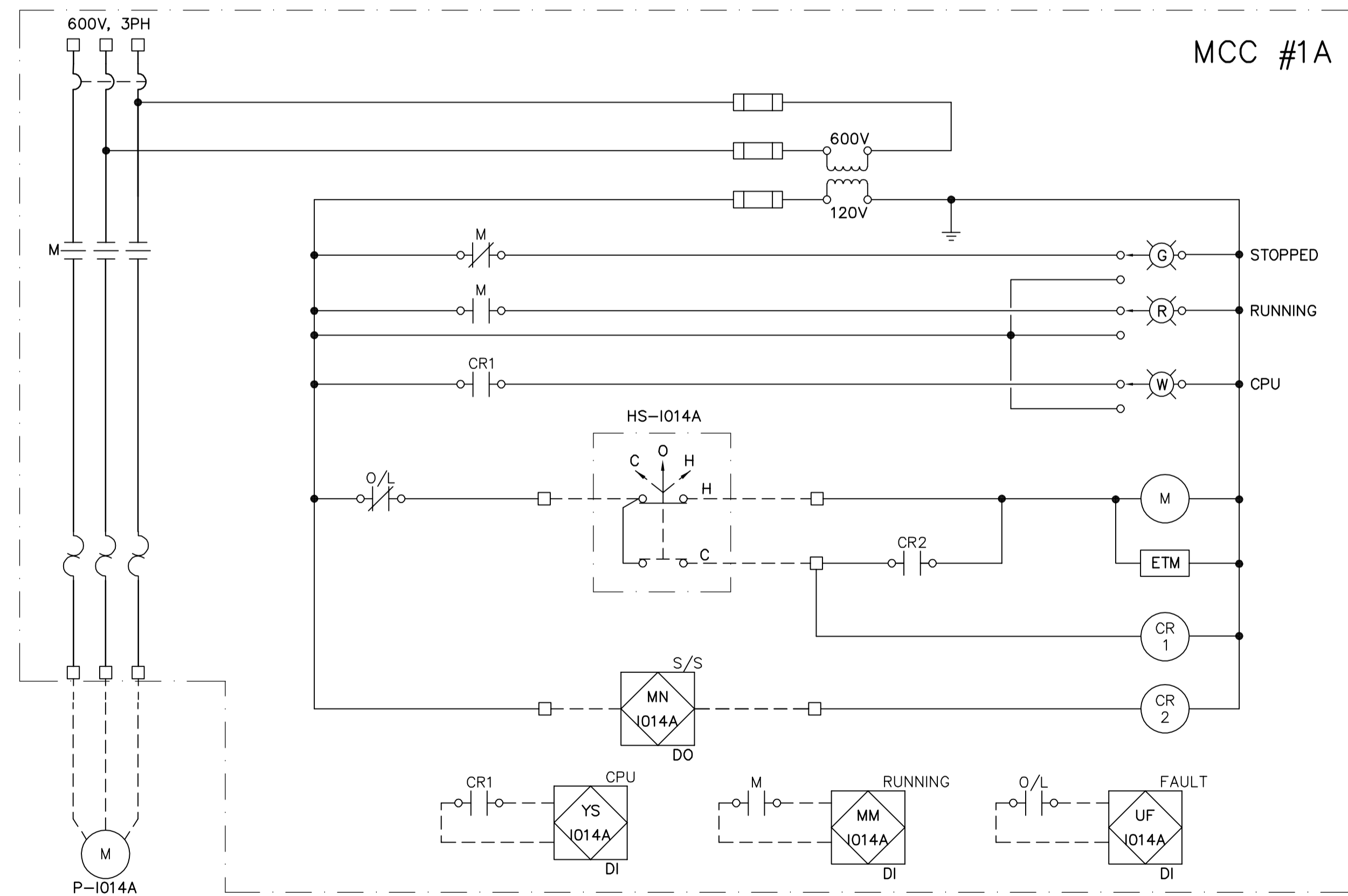


FLASH MIX PUMP #1 (P-I013A)



FLASH MIX PUMP #3 (P-I015A)



FLASH MIX PUMP #2 (P-I014A)

APECA
 Certificate of Authorization
 CH2M HILL Canada Ltd.
 No. 1441 Expiry: April 30, 2006

B.M. ELEV.			
NO.	ISSUED FOR TENDER	06/03/29	LL
	REVISIONS	DATE	BY
		2005/11/08	

CH2MHILL Frederickson Cooper ARCHITECTS		EarthTech A Geo International Ltd. Company	
DESIGNED BY	JT	CHECKED BY	ND
DRAWN BY	KJ	APPROVED BY	AHL
SCALE:	NTS	RELEASED FOR CONSTRUCTION BY:	R. SOROKOWSKI
DATE	2005/11/08	DATE	2006/03/29

ENGINEER'S SEAL
 ORIGINAL SIGNED BY
 L.D. LLEWELLYN
 2006/03/29
 CONSULTANT DRAWING NO.
 WB-E0549

THE CITY OF WINNIPEG
 WATER AND WASTE DEPARTMENT
 ENGINEERING DIVISION

WATER TREATMENT PLANT
 MAIN BUILDING
 MECHANICAL AND ELECTRICAL

ELECTRICAL
 CONTROL DIAGRAM

CITY FILE NUMBER
 SHEET OF
 CITY DRAWING NUMBER
 1-0601B-H-E0549-001-000