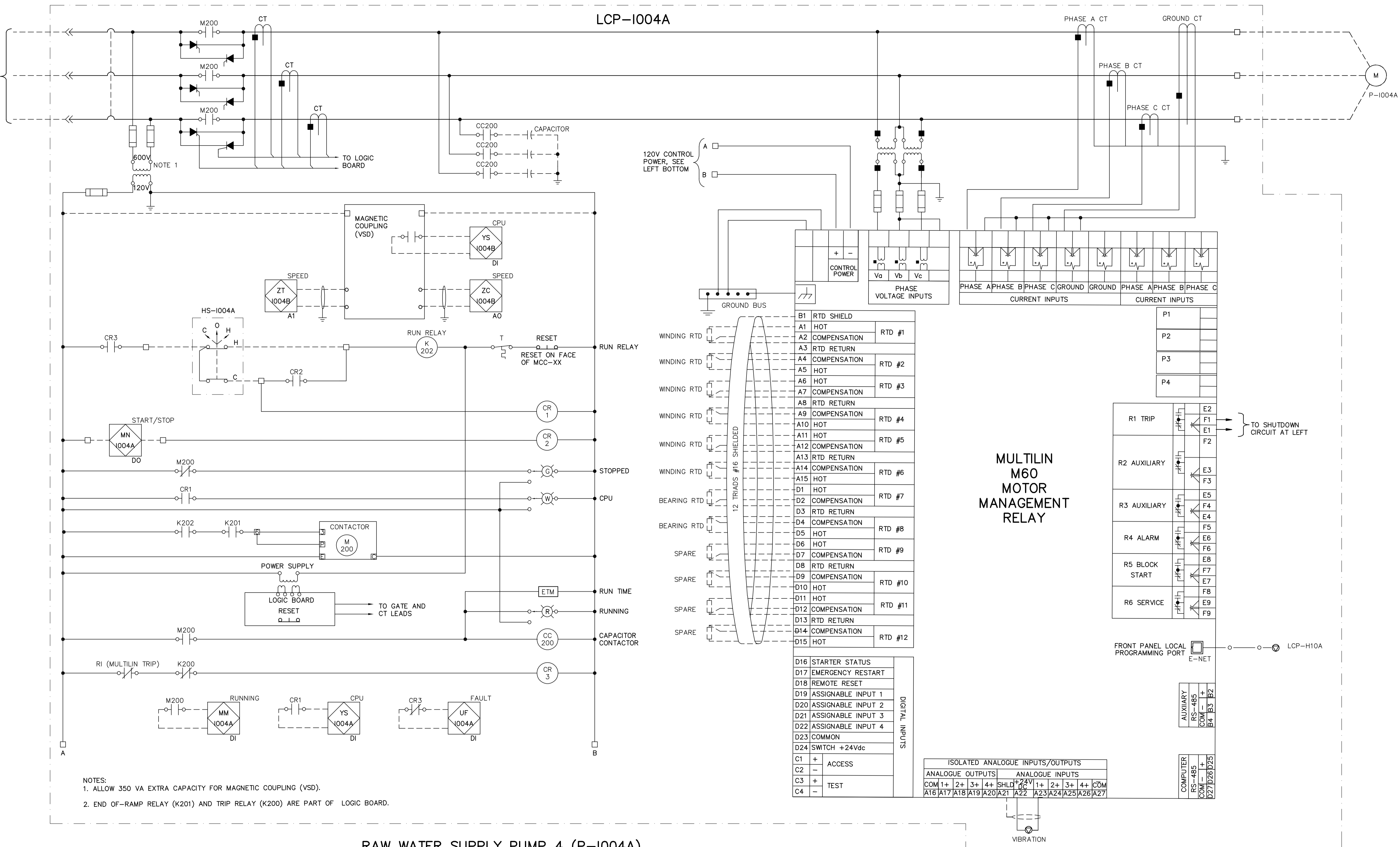


LCP-1004A



NOTES:
 1. ALLOW 350 VA EXTRA CAPACITY FOR MAGNETIC COUPLING (VSD).
 2. END OF-RAMP RELAY (K201) AND TRIP RELAY (K200) ARE PART OF LOGIC BOARD.

RAW WATER SUPPLY PUMP 4 (P-1004A)



| | |
|-------------------------------|---------------|
| B.M. ELEV. | |
| DESIGNED BY | JT |
| CHECKED BY | ND |
| DRAWN BY | KJ |
| APPROVED BY | AHL |
| SCALE: | NTS |
| RELEASED FOR CONSTRUCTION BY: | R. SOROKOWSKI |
| DATE | 2005/11/08 |
| DATE | 2006/03/29 |

CH2MHILL
 Frederickson Cooper ARCHITECTS

EarthTech
 A Yeo International Ltd. Company

DESIGNED BY: JT
 CHECKED BY: ND
 DRAWN BY: KJ
 APPROVED BY: AHL
 SCALE: NTS
 RELEASED FOR CONSTRUCTION BY: R. SOROKOWSKI
 DATE: 2005/11/08
 DATE: 2006/03/29

ENGINEER'S SEAL
 ORIGINAL SIGNED BY
 L.D. LLEWELLYN
 2006/03/29
 CONSULTANT DRAWING NO.
 WB-E0548

THE CITY OF WINNIPEG
 WATER AND WASTE DEPARTMENT
 ENGINEERING DIVISION

WATER TREATMENT PLANT
 MAIN BUILDING
 MECHANICAL AND ELECTRICAL

ELECTRICAL
 CONTROL DIAGRAM

CITY FILE NUMBER
 SHEET OF
 CITY DRAWING NUMBER
 1-0601B-H-E0548-001-000