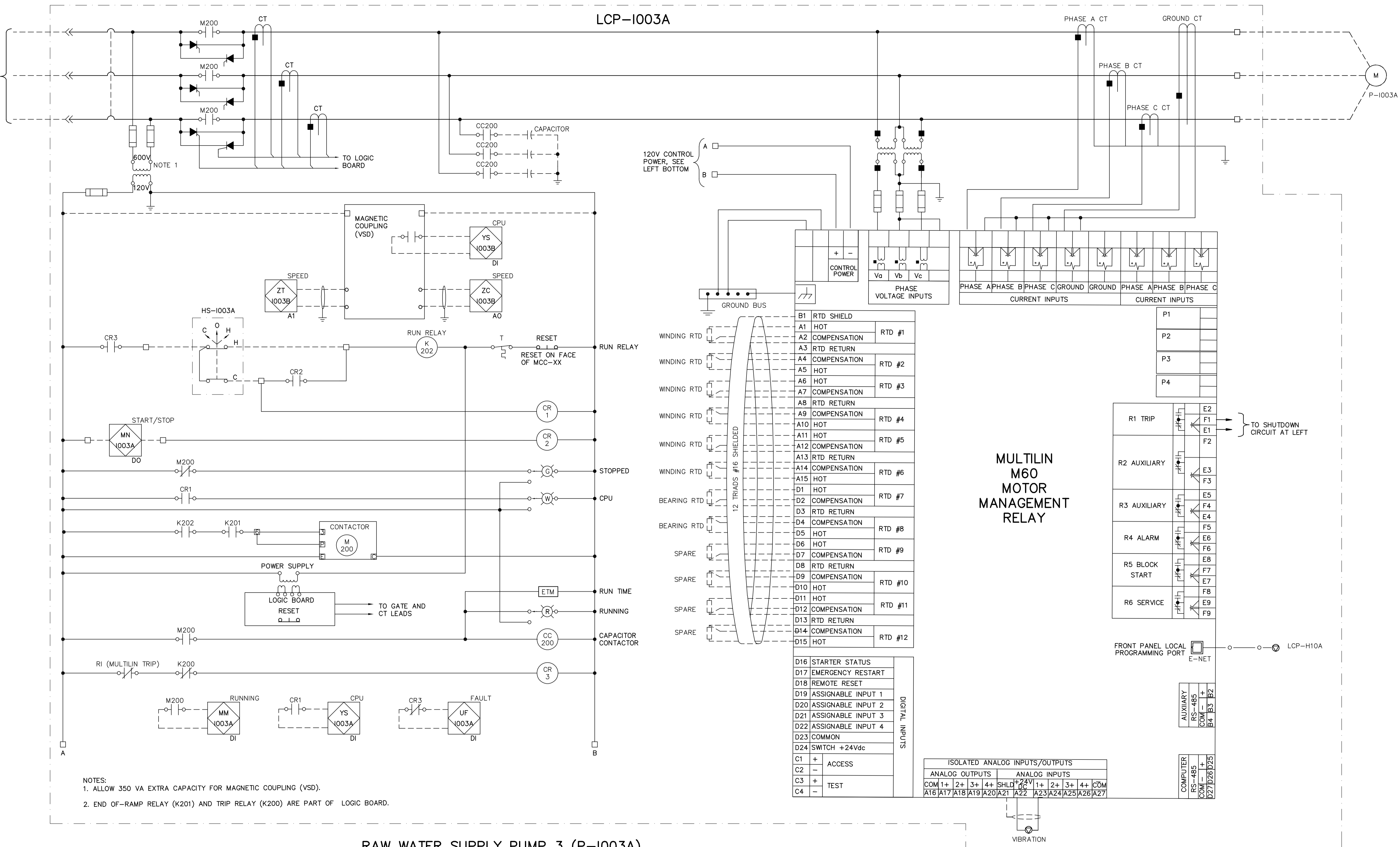


LCP-1003A



NOTES:  
 1. ALLOW 350 VA EXTRA CAPACITY FOR MAGNETIC COUPLING (VSD).  
 2. END OF-RAMP RELAY (K201) AND TRIP RELAY (K200) ARE PART OF LOGIC BOARD.

RAW WATER SUPPLY PUMP 3 (P-1003A)

<p><b>APEGN</b>                  Certificate of Authorization                  CH2M HILL Canada Ltd.                  No. 1441 Expiry: April 30, 2006</p>	<p>B.M. ELEV.</p>	<p>Frederickson Cooper                  ARCHITECTS</p>	<p>A 100 International Ltd. Company</p>	<p>ENGINEER'S SEAL</p>	<p><b>THE CITY OF WINNIPEG</b>                  WATER AND WASTE DEPARTMENT                  ENGINEERING DIVISION</p>
	<p>DESIGNED BY JT</p> <p>DRAWN BY KJ</p> <p>SCALE: NTS</p> <p>00 ISSUED FOR TENDER 06/03/29 LL</p> <p>NO. REVISIONS DATE BY</p>			<p>CHECKED BY ND</p> <p>APPROVED BY AHL</p> <p>RELEASED FOR CONSTRUCTION BY: R. SOROKOWSKI</p> <p>DATE 2005/11/08 DATE 2006/03/29</p>	