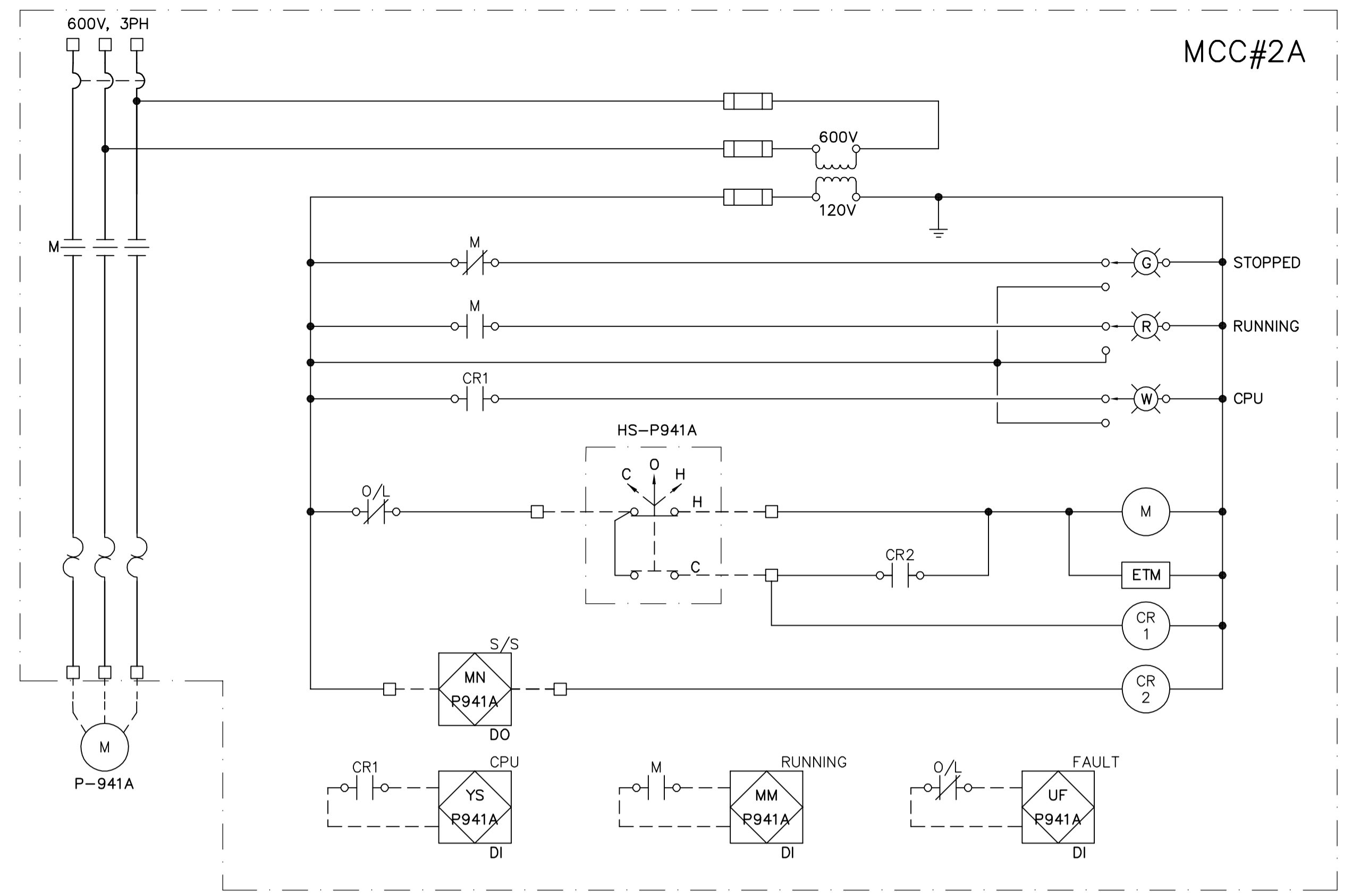
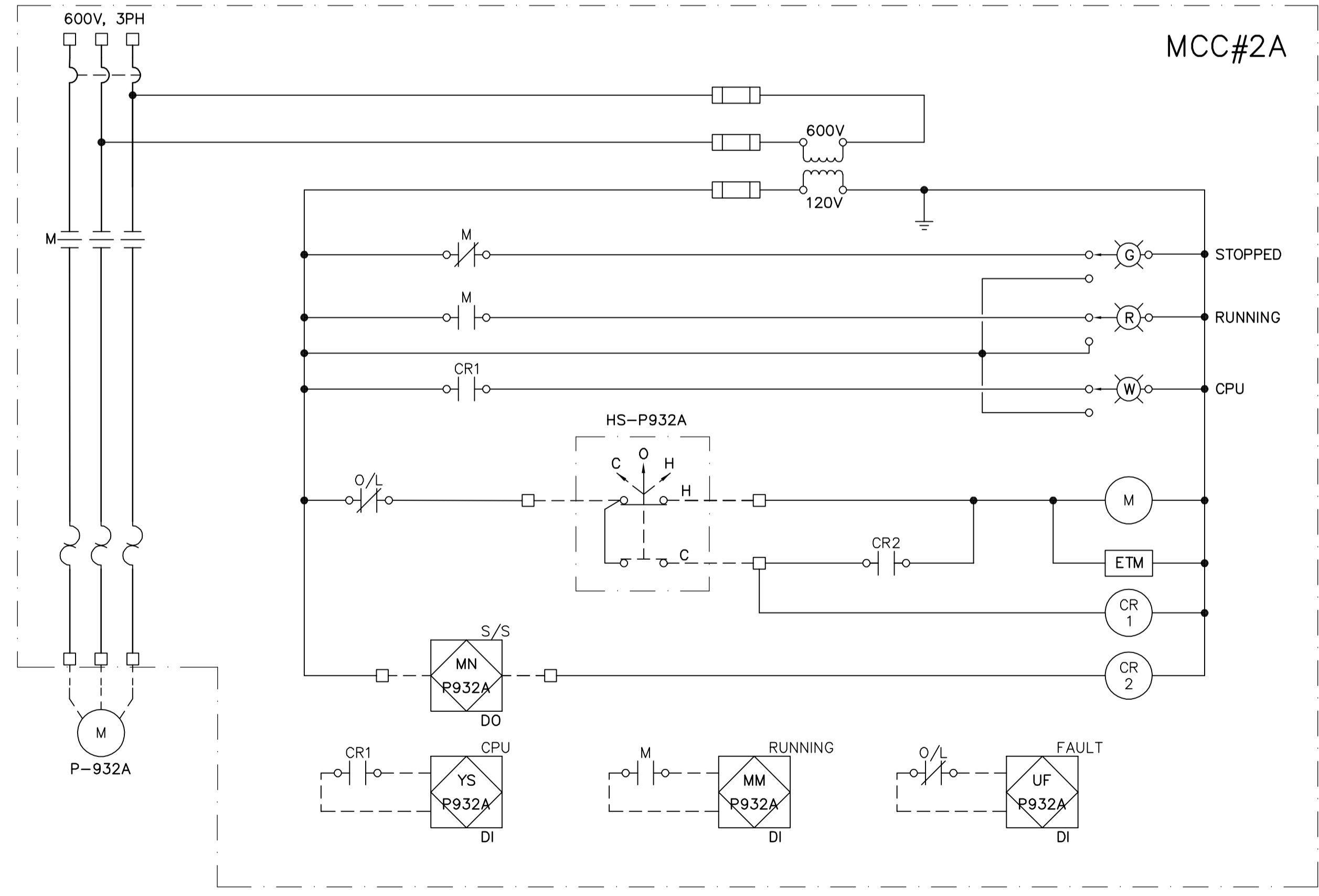


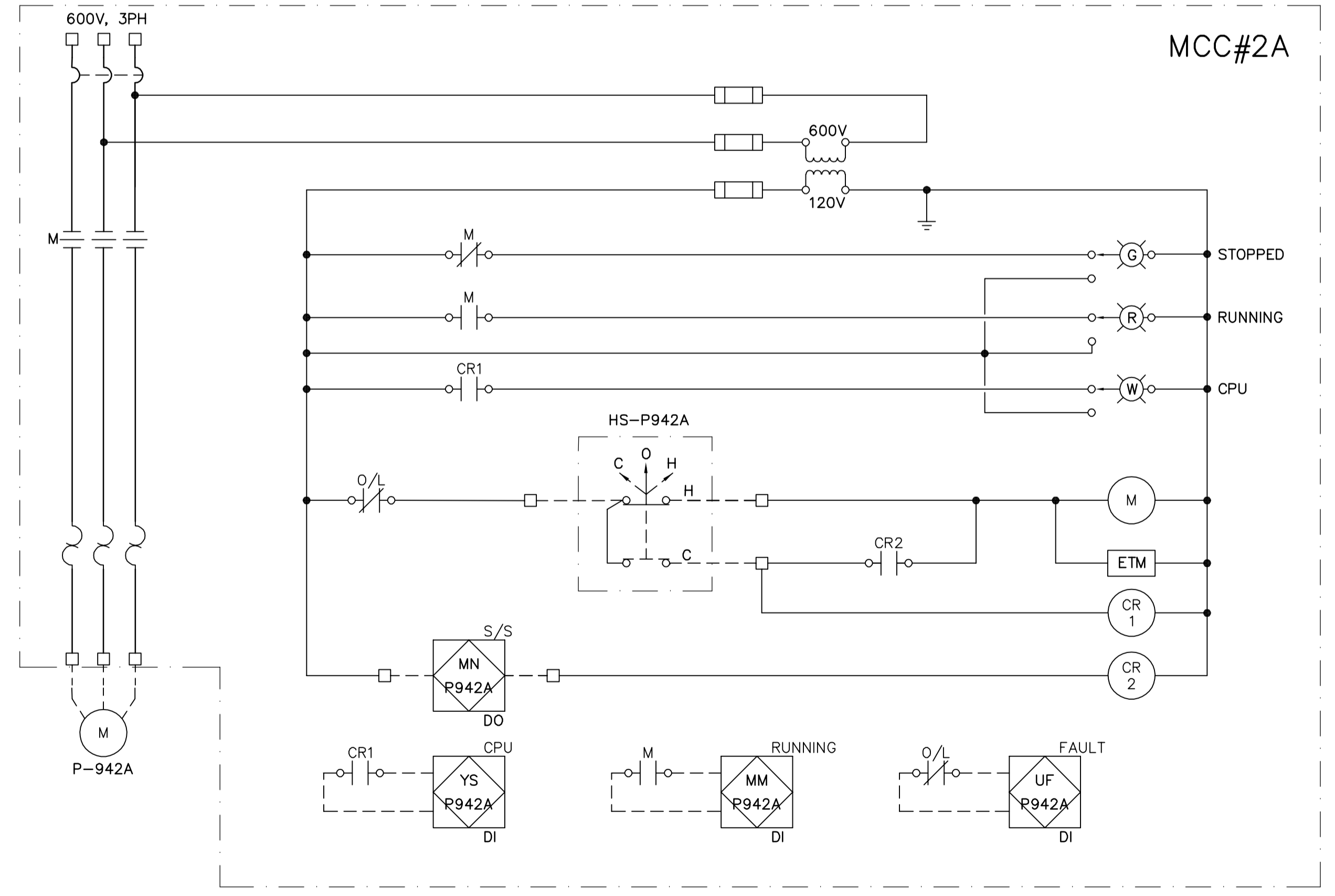
FLOAT TRANSFER PUMP 1 (P-931A)



FLOAT TRANSFER PUMP 3 (P-941A)



FLOAT TRANSFER PUMP 2 (P-932A)



FLOAT TRANSFER PUMP 4 (P-942A)



B.M. ELEV.			
NO.	ISSUED FOR TENDER	06/03/29	LL
NO.	REVISIONS	DATE	BY
		DATE	2005/11/08
		DATE	2006/03/29

DESIGNED BY	JT	CHECKED BY	ND
DRAWN BY	KJ	APPROVED BY	AHL
SCALE:	NTS	RELEASED FOR CONSTRUCTION BY:	R. SOROKOWSKI

ENGINEER'S SEAL  
 ORIGINAL SIGNED BY  
 L.D. LLEWELLYN  
 2006/03/29  
 CONSULTANT DRAWING NO.  
 WB-E0543

**THE CITY OF WINNIPEG**  
 WATER AND WASTE DEPARTMENT  
 ENGINEERING DIVISION

WATER TREATMENT PLANT  
 MAIN BUILDING  
 MECHANICAL AND ELECTRICAL

ELECTRICAL  
 CONTROL DIAGRAM

CITY FILE NUMBER  
 SHEET OF  
 CITY DRAWING NUMBER  
 1-0601B-H-E0543-001-000