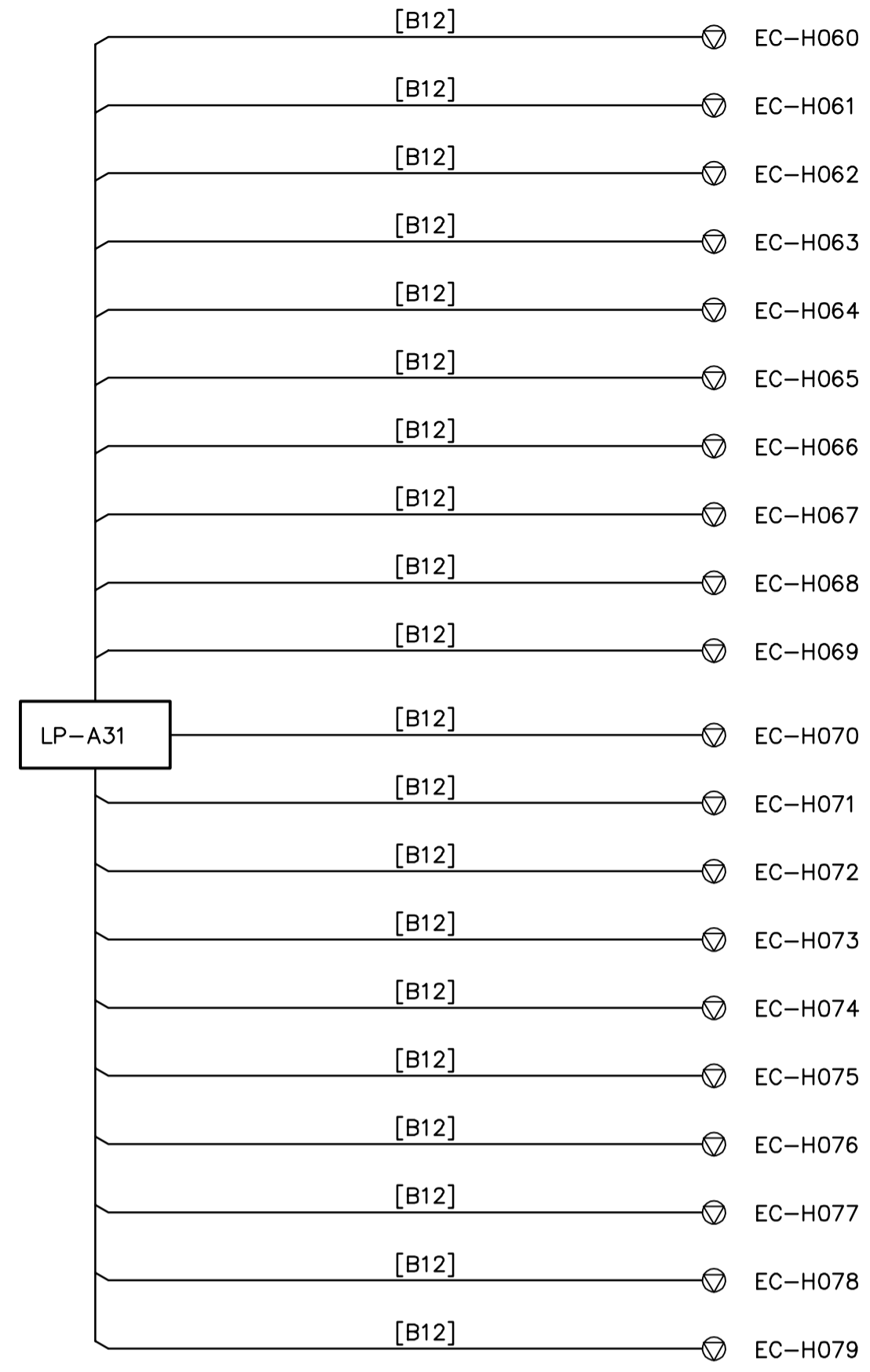
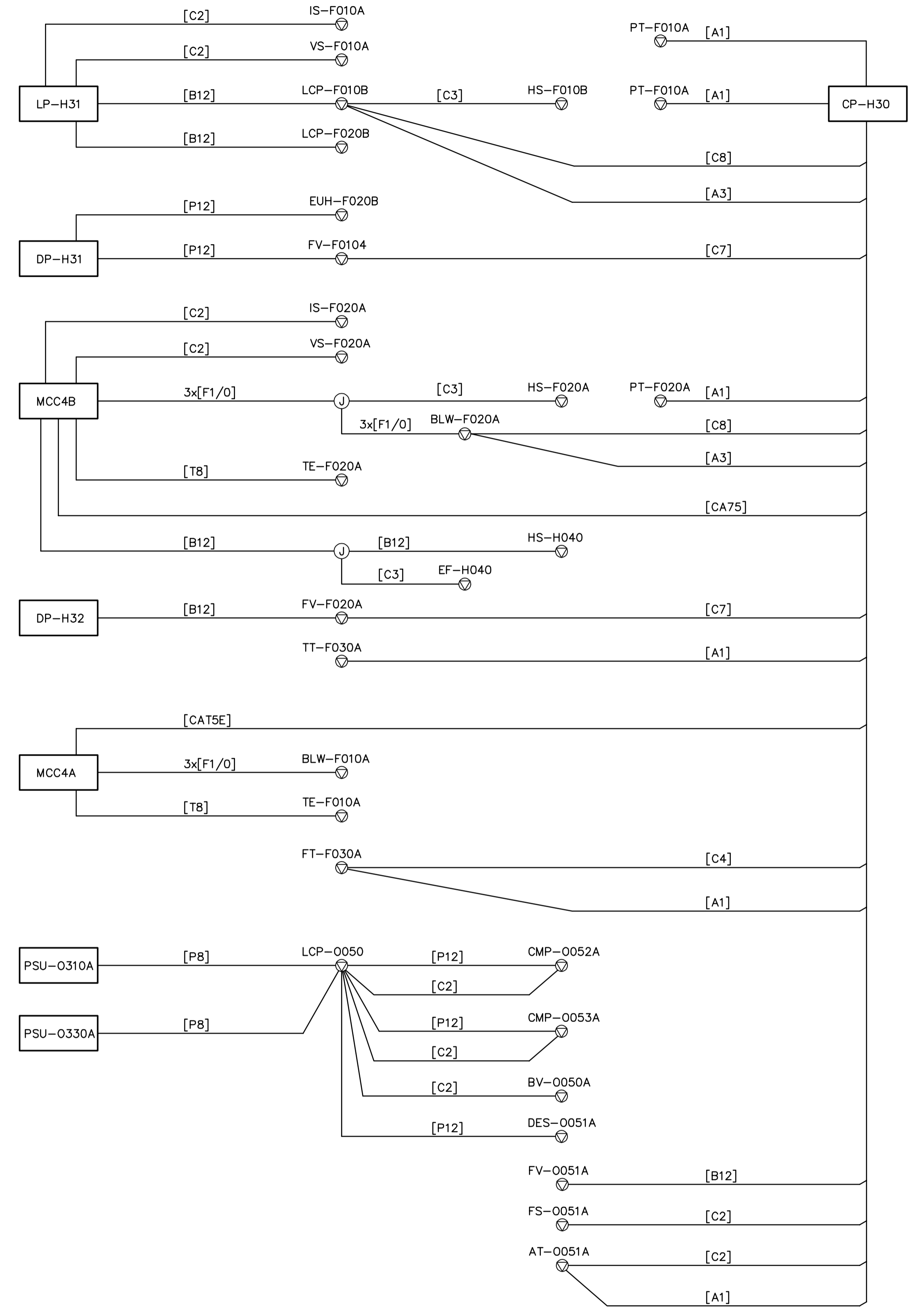


**CBD-A-21**



**CBD-A-32**



**CBD-C-31**

 <b>Certificate of Authorization</b> CH2M HILL Canada Ltd. No. 1441 Expiry: April 30, 2006		 Frederickson Cooper ARCHITECTS		 A You International Ltd. Company		ENGINEER'S SEAL  ORIGINAL SIGNED BY L.D. LLEWELLYN 2006/03/29		 <b>THE CITY OF WINNIPEG</b> WATER AND WASTE DEPARTMENT ENGINEERING DIVISION	
DESIGNED BY PF DRAWN BY YFS SCALE: NTS				CHECKED BY ND APPROVED BY AHL RELEASED FOR CONSTRUCTION BY: R. SOROKOWSKI		CONSULTANT DRAWING NO. WB-E0581		WATER TREATMENT PLANT MAIN BUILDING MECHANICAL AND ELECTRICAL ELECTRICAL CABLE BLOCK DIAGRAMS	
ISSUED FOR TENDER NO. REVISIONS		DATE BY 06/03/29 LL		DATE 2006/03/26		DATE 2006/03/29		CITY FILE NUMBER SHEET OF CITY DRAWING NUMBER 1-0601B-E-E0581-001-000	