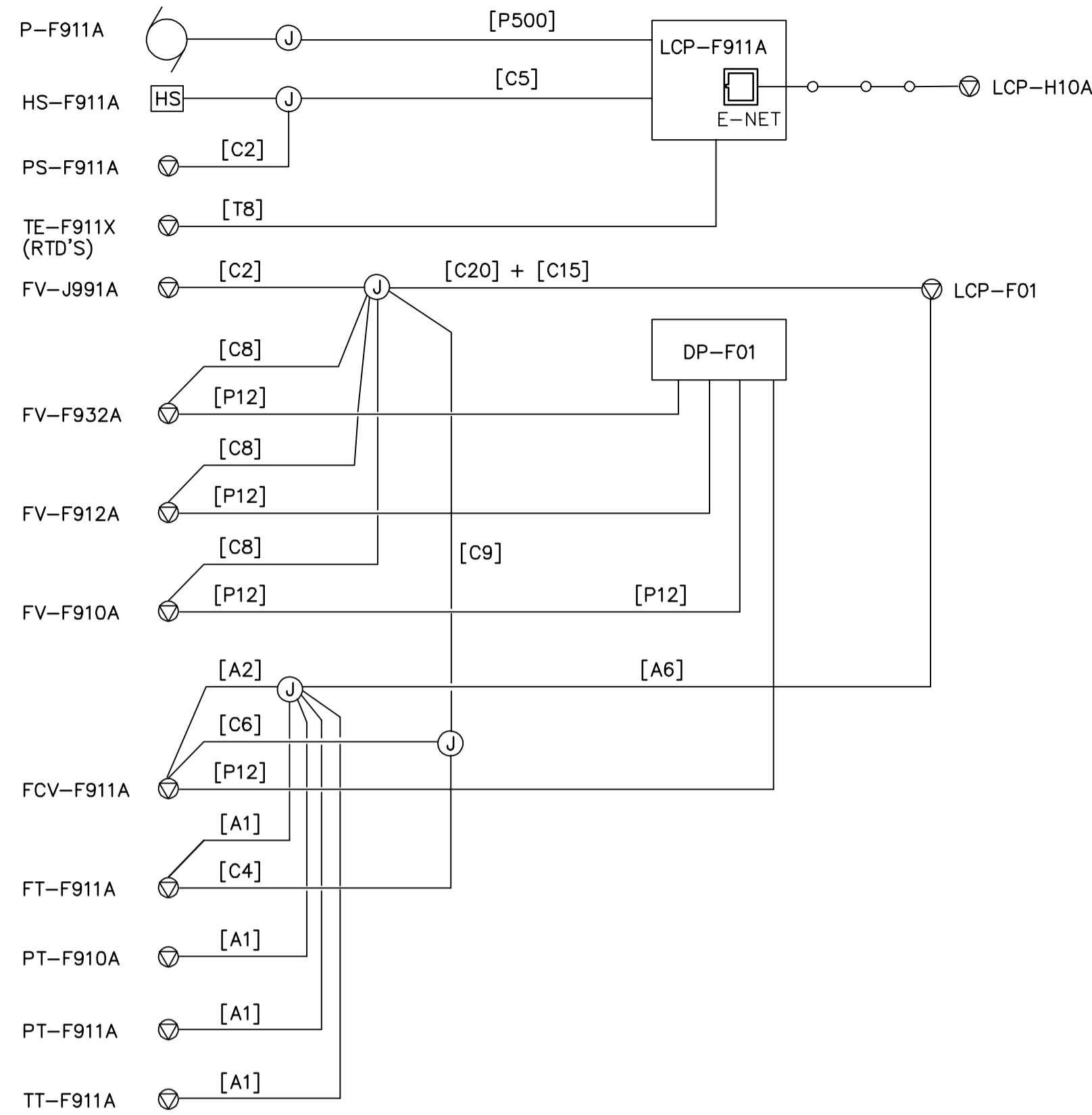
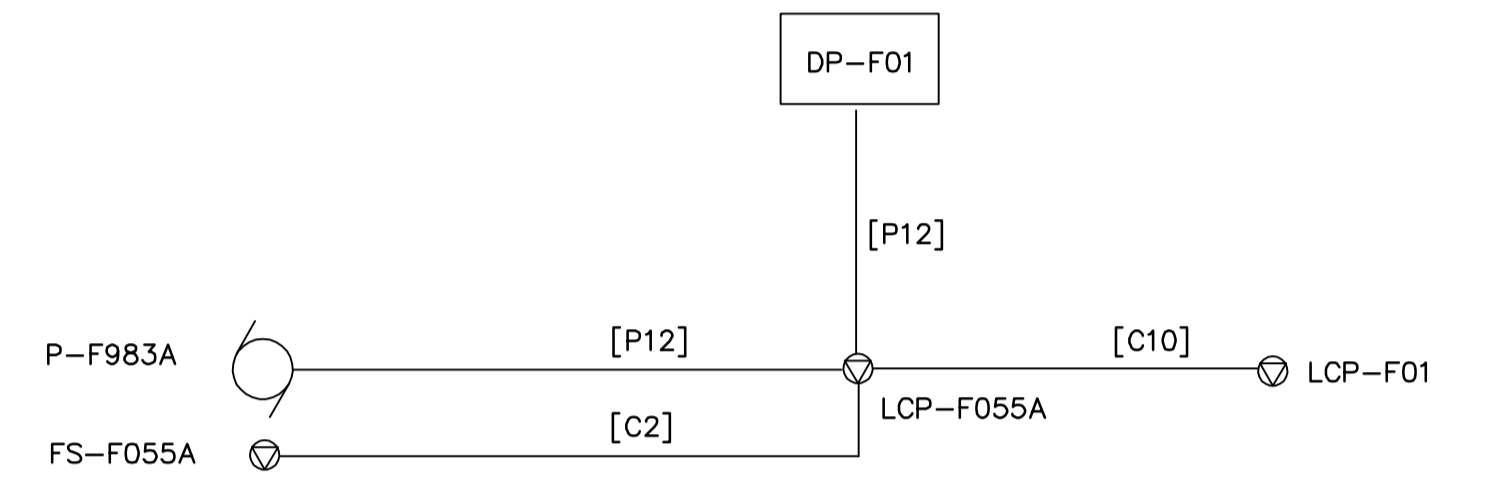


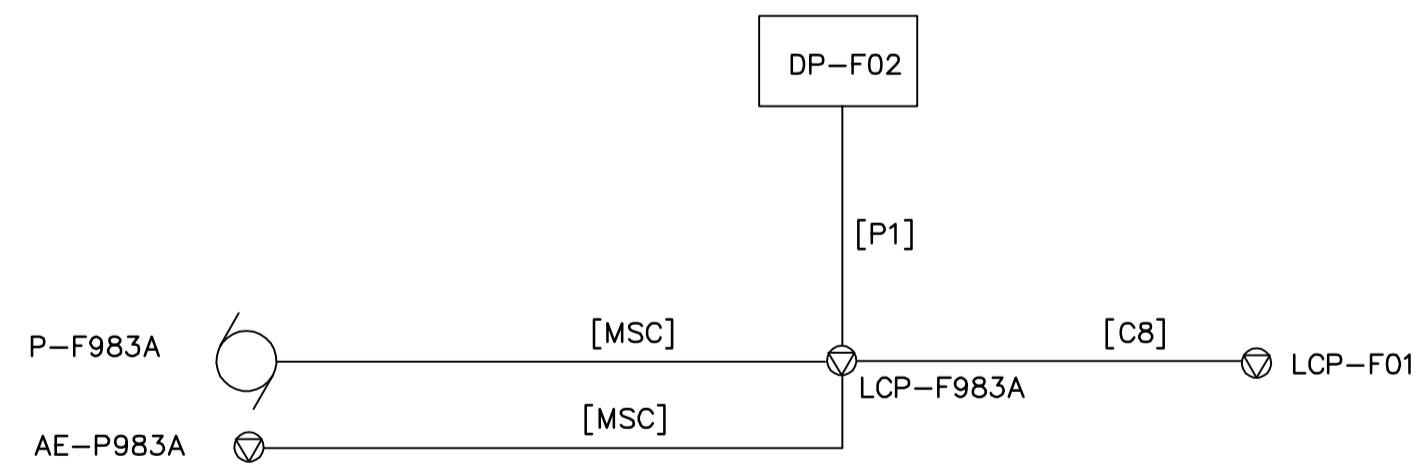
CBD-F-6



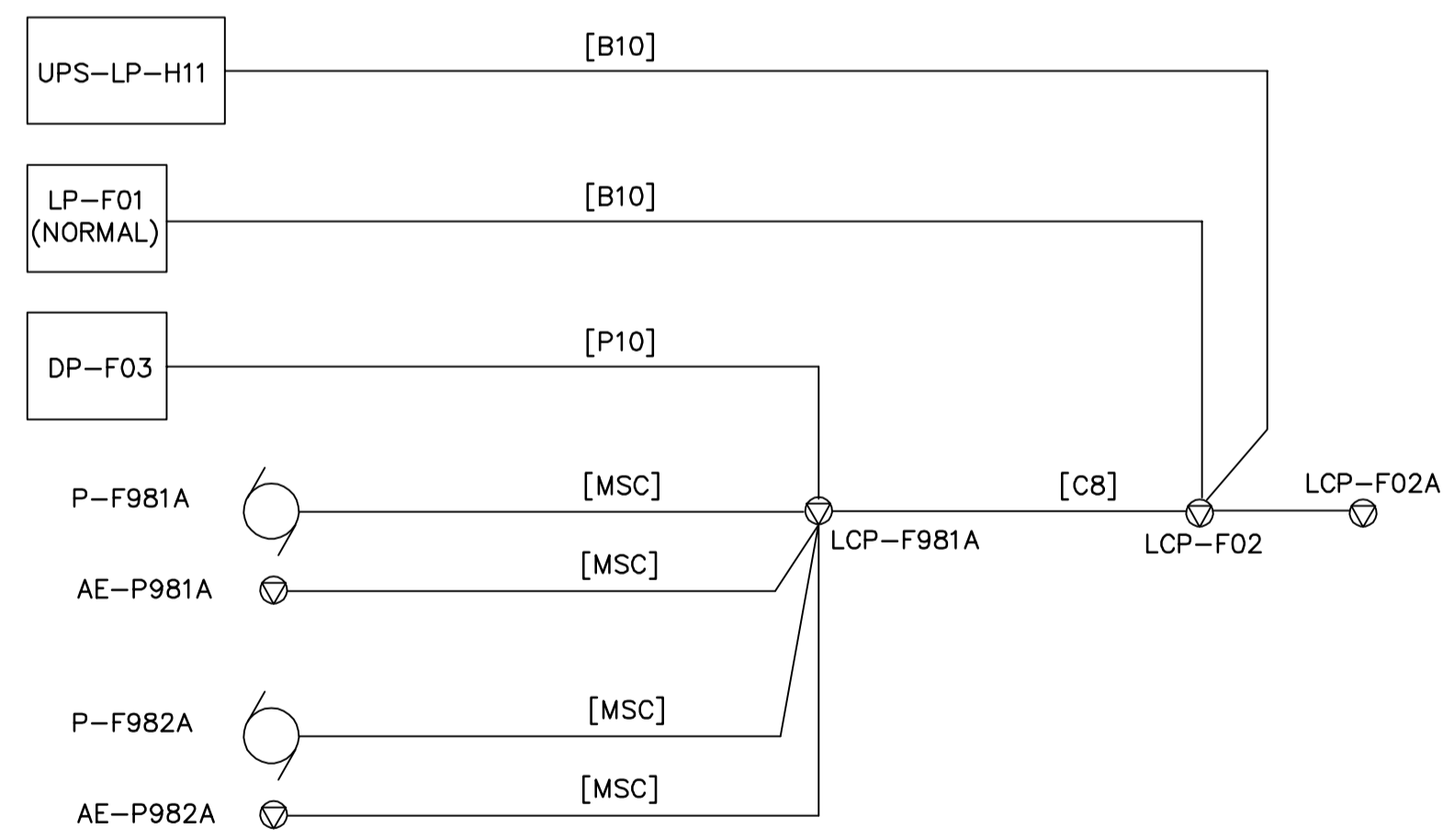
CBD-F-7



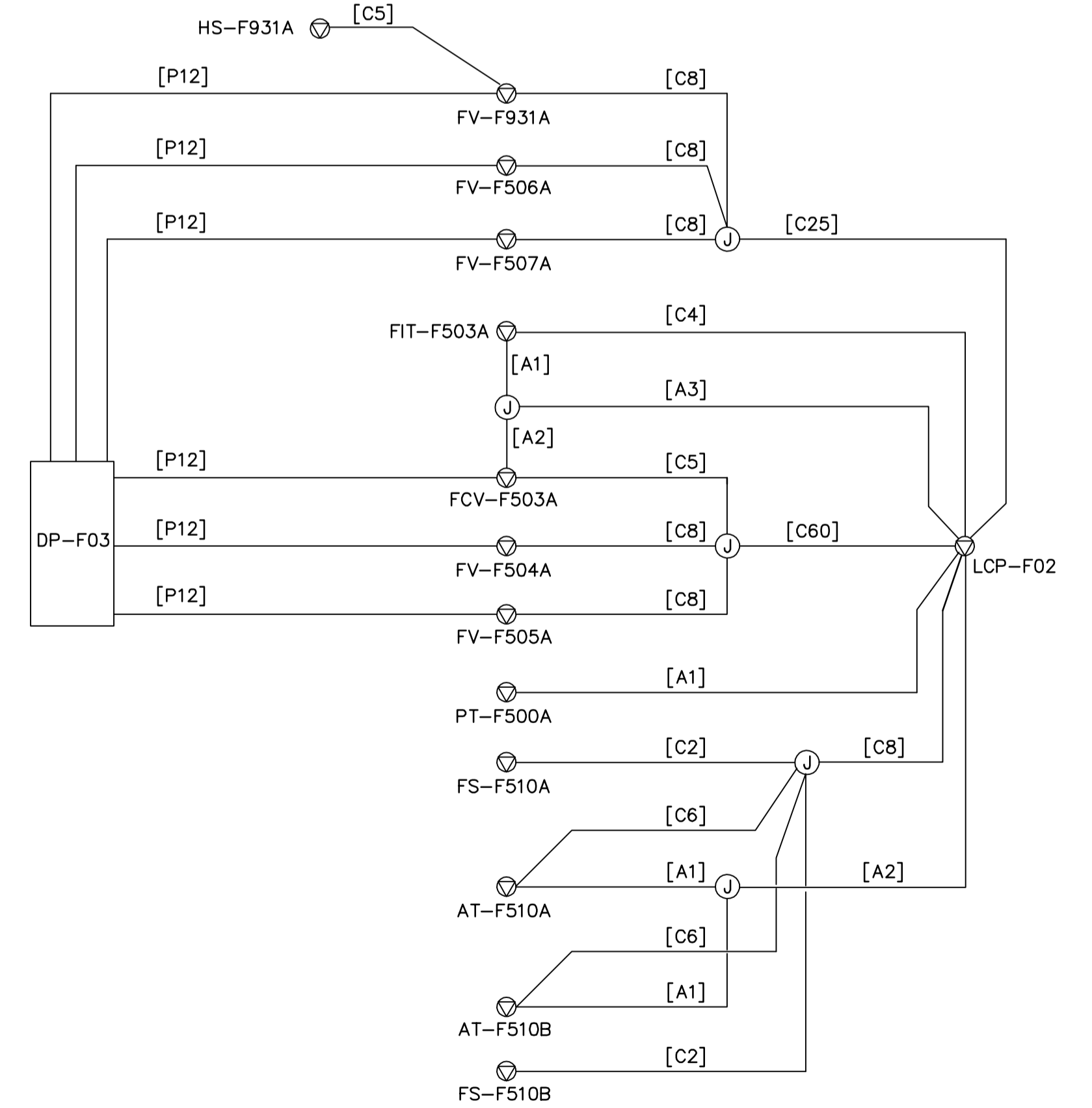
CBD-F-8



CBD-F-9



CBD-F-10



CBD-F-11

<p>Certificate of Authorization CH2M HILL Canada Ltd. No. 1441 Expiry: April 30, 2006</p>	B.M. ELEV.		<p>Frederickson Cooper ARCHITECTS</p>	<p>A You International Ltd. Company</p>	ENGINEER'S SEAL	<p>THE CITY OF WINNIPEG WATER AND WASTE DEPARTMENT ENGINEERING DIVISION</p>
			DESIGNED BY: JT	CHECKED BY: ND	ORIGINAL SIGNED BY: L.D. LLEWELLYN	
			DRAWN BY: KJ	APPROVED BY: AHL	2006/03/29	
			SCALE: NTS	RELEASED FOR CONSTRUCTION BY: R. SOROKOWSKI	CONSULTANT DRAWING NO. WB-E0572	
	00 ISSUED FOR TENDER	06/03/29	LL	DATE: 2005/11/08	DATE: 2006/03/29	<p>WATER TREATMENT PLANT MAIN BUILDING MECHANICAL AND ELECTRICAL</p> <p>ELECTRICAL</p> <p>CABLE BLOCK DIAGRAMS</p>
	NO. REVISIONS	DATE	BY	DATE	DATE	<p>CITY FILE NUMBER</p> <p>SHEET OF</p> <p>CITY DRAWING NUMBER</p> <p>1-0601B-E-E0572-001-000</p>