

FIG. 1 FLANGE-MOUNTED LIQUID LEVEL TRANSMITTER

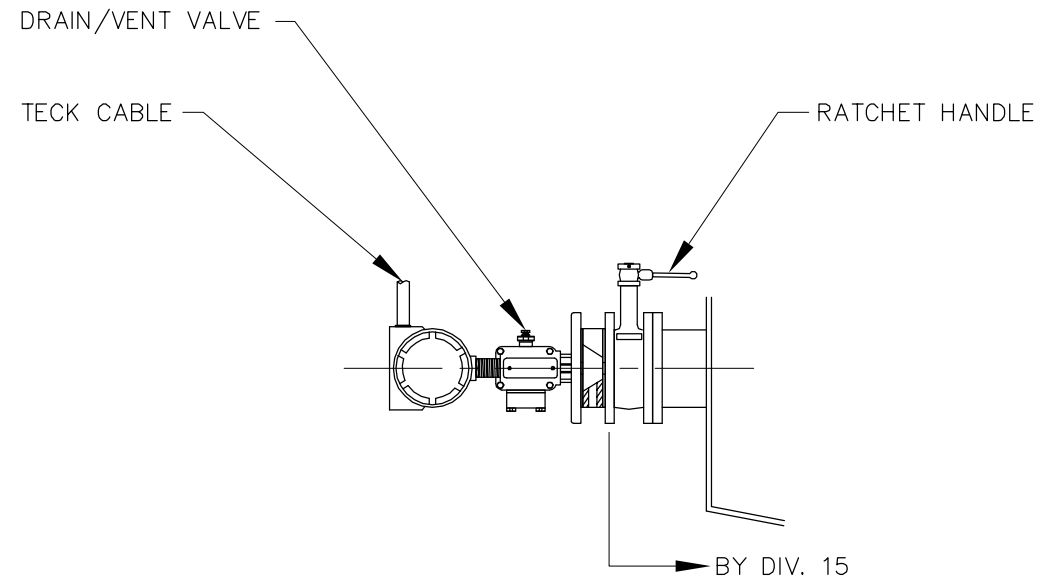


FIG. 2 FLANGE-MOUNTED LIQUID LEVEL TRANSMITTER (MANUAL FLUSH)

APEGA
 Certificate of Authorization
 Earth Tech Canada Inc.
 No. 730 Expiry: April 30, 2006

B.M. ELEV.			
00	ISSUED FOR TENDER	06/03/29	GLG
NO.	REVISIONS	DATE	BY
		DATE	2006/01/03
		DATE	2006/03/29

CH2M HILL
 Frederickson Cooper
 A CONSULTANT

Earth Tech
 A TIER 1 COMPANY

DESIGNED BY	NT	CHECKED BY	SWT
DRAWN BY	GLG	APPROVED BY	AHL
SCALE:	NTS	RELEASED FOR CONSTRUCTION BY:	R. SOROKOWSKI
		DATE	2006/03/29

ENGINEER'S SEAL
 ORIGINAL SIGNED BY
 S.W. TORMEY
 2006/03/29
 CONSULTANT DRAWING NO.
 WB-A0408

THE CITY OF WINNIPEG
 WATER AND WASTE DEPARTMENT
 ENGINEERING DIVISION

Winnipeg

WATER TREATMENT PLANT
 MAIN BUILDING
 MECHANICAL AND ELECTRICAL

AUTOMATION / I&C
 PRESSURE TRANSMITTER AND IN-LINE PRESSURE SENSOR
 INSTALLATION DETAILS

CITY FILE NUMBER	
SHEET	OF
CITY DRAWING NUMBER	1-0601B-D-A0408-001-008