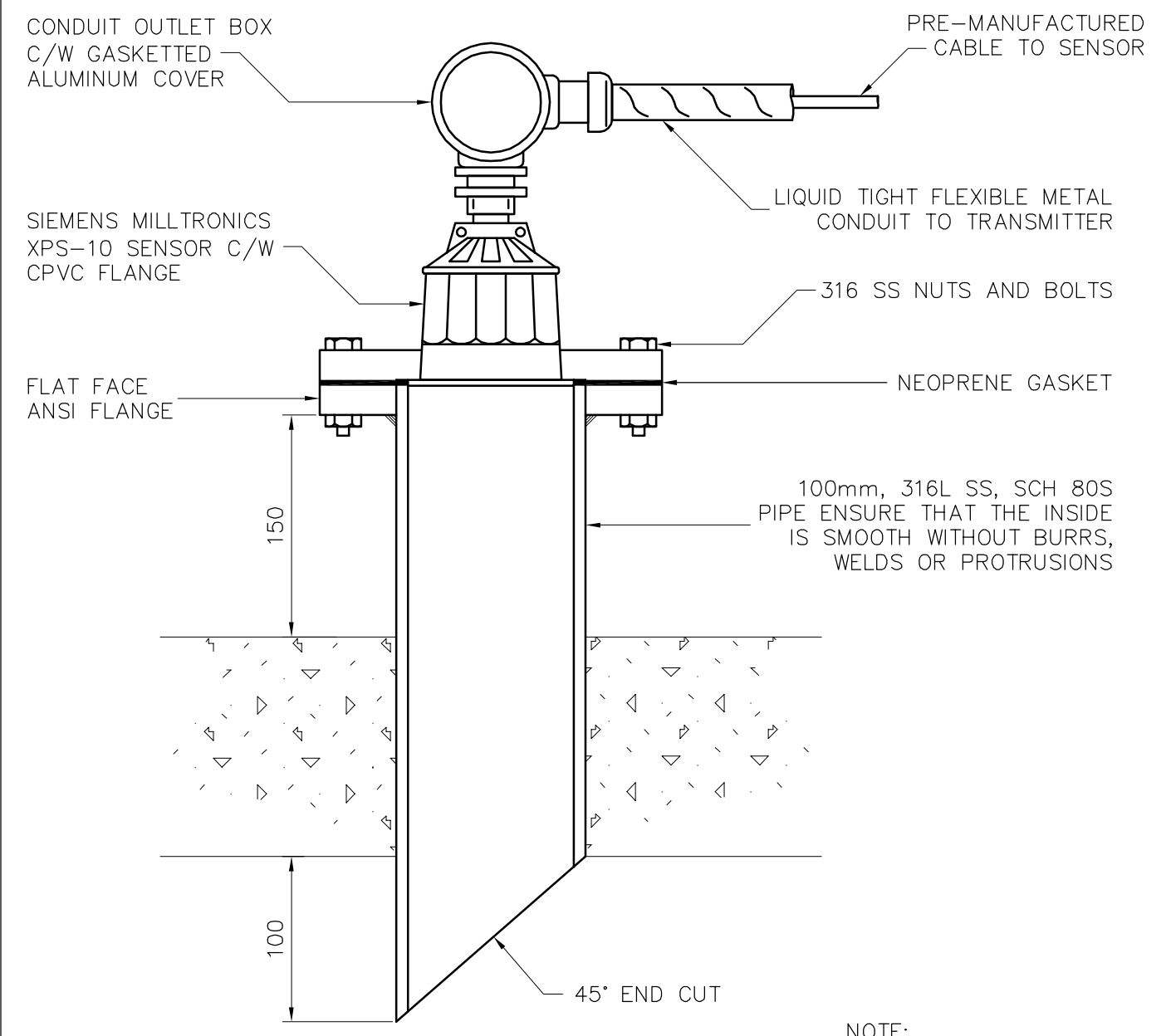


NOTES:

- 1) SENSOR MUST BE MOUNTED IN HORIZONTAL PLANE WITH RESPECT TO INFLUENT FLOW.
- 2) ALL BRACKET COMPONENTS TO BE 304 S.S. BRACKET TO BE MOUNTED WHERE ONLY ONE SECTION OF GRATING IS REQUIRED TO BE REMOVED FOR SENSOR ACCESS.
- 3) RG62U COAXIAL SIGNAL CABLE TO BE RUN INSIDE FLEXIBLE LIQUID TIGHT METALLIC CONDUIT AND FASTENED TO BRACKET WITH "P" CLAMPS.
- 4) SENSOR ELEVATION TO BE AS REQUIRED TO PROVIDE BLANKING SPACE.
- 5) CABLE TO RUN TO TRANSMITTER INDICATOR.





ULTRASONIC LEVEL TRANSDUCER



NOTE:

1. THE CONTRACTOR SHALL ENSURE THAT EACH SENSOR IS SUITABLE FOR ITS APPLICATION.

ULTRASONIC LEVEL TRANSDUCER

 Certificate of Authorization Earth Tech Canada Inc. No. 730 Expiry: April 30, 2006	B.M. ELEV.	 Frederickson Cooper CONSULTANTS	 Automation / I&C Winnipeg	ENGINEER'S SEAL	 THE CITY OF WINNIPEG WATER AND WASTE DEPARTMENT ENGINEERING DIVISION
		DESIGNED BY: NT	CHECKED BY: SWT	ORIGINAL SIGNED BY: S.W. TORMEY	CITY FILE NUMBER
		DRAWN BY: GLG	APPROVED BY: AHL	2006/03/29	SHEET OF
		SCALE: NTS	RELEASED FOR CONSTRUCTION BY: R. SOROKOWSKI	CONSULTANT DRAWING NO. WB-A0401	CITY DRAWING NUMBER 1-0601B-D-A0401-001-00B
	00 ISSUED FOR TENDER 06/03/29 GLG	NO. REVISIONS DATE BY DATE 2006/01/03	DATE 2006/03/29		